

FPM-3151G

15" XGA Industrial Monitor with Resistive Touchscreen, Direct-VGA, DVI Ports, and Wide Operating Temperature

Features

- f 15" XGA LED backlight LCD with low power consumption
- f Robust anodized coated aluminum front bezel and stainless steel rear cover
- f Supports wide operating temperatures
- f Increase reliability by enhanced 5-wire resistive touch sensor
- f Anti-reflective screen with tempered glass
- f Full enclosure ground isolation protection
- f Supports VGA/DVI input, dual touch interfaces and two power inputs
- f Front lockable OSD membrane keys with user-defined brightness setting
- f Front panel is IP65 compliant
- f Supports panel, VESA, wall and desktop stand mounting



Introduction

The FPM-3151G is a particularly rugged and reliable 15" XGA wide temperature industrial monitor for a variety of industry applications. Equipped with a hard anodized coating, stainless steel chassis, and -20 to 60°C operating temperature, it can satisfy demands in a wide range of harsh industrial applications. This model also features enhanced 5-wire resistive touch and system ground isolation protection to enhance the reliability. FPM-3151G also provides lockable OSD keys on the front panel with two user-defined contrast/brightness settings.

Specifications

General

Button Controls	OSD control pad on front panel with lockable function Two user-defined contrast/brightness settings
Certification	CE, FCC Class A, BSMI, CCC, UL, Energy Star
Dimensions (W x H x D)	422 x 310 x 70 mm (16.61" x 12.2" x 2.76")
Enclosure	Front panel: Aluminum with hard anodizing coating Rear cover : Stainless steel Ground Isolation Protection
Mounting	Panel, wall, desktop, VESA arm, or 19" rackmount with optional mounting kit
Power Input	Phoenix Jack: 24 V _{DC} input DC Jack: external 57 W power adapter, with 100 ~ 240 V _{AC} input and 12 V _{DC} @ 4.75 A output
Power Consumption	12W
Video Port	VGA & DVI-D Port
Weight (Net)	7.73 kg (17.04 lbs)

LCD Display

Display Type	XGA TFT LCD
Backlight Type	LED
Display Size	15"
Max. Resolution	1024 x 768
Max. Color	16.2M (RGB 8-bit)
Viewing Angle (H/V°)	160/140
Luminance (cd/m²)	350
Backlight Life (hrs)	50,000
Contrast Ratio	700:1

Touchscreen (Optional)

Sensor	AMT
Driver	Penmount 6000
Type	5-wire resistive with enhanced ITO film
Interface	USB & RS-232 (Combo)
Lifespan	36 million with a silicone rubber R8 finger, writing rate is by 250g at 2 times/s
Light Transmission	> 80%
OS Support	Windows XP/Vista, 7, 8, XPe, CE and Linux
Power Consumption	+5 V @ 100 mA
Touch Resolution	Linearity

Environment

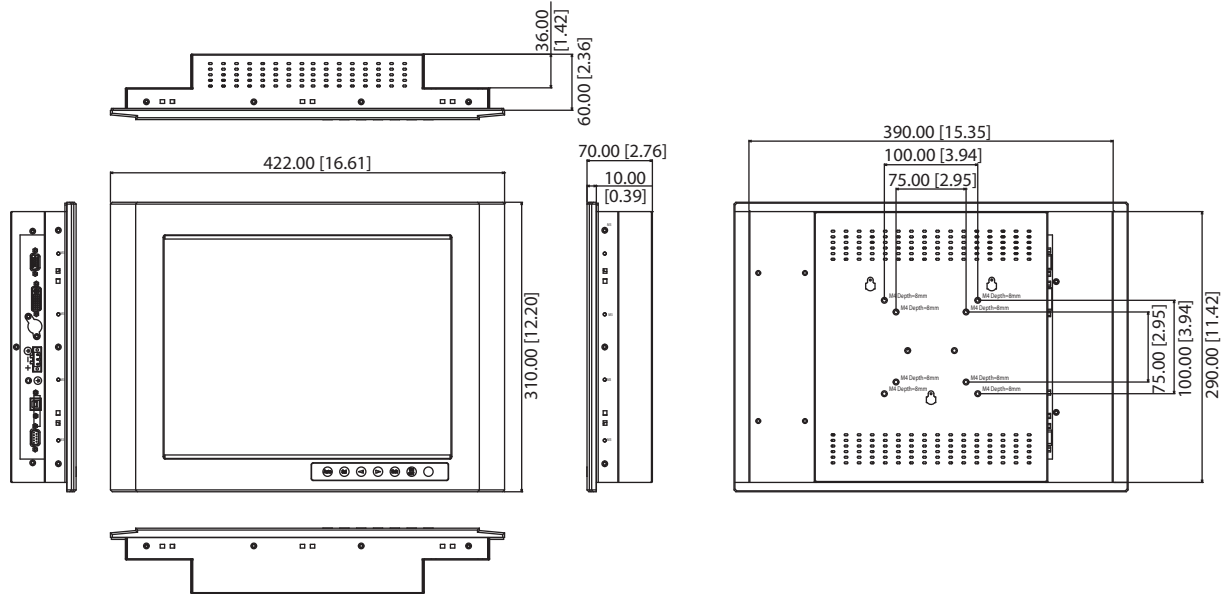
Operation Temperature	-20 ~ 60°C (-4 ~ 140°F)
Storage Temperature	-30 ~ 80°C (-22 ~ 176°F)
Humidity (Storage)	10 ~ 95% non-condensing
Waterproof	Front panel is IP65 compliant
Shock	11ms, 10G (Non Operating, Half Sine Wave)
Vibration	5 ~ 500 Hz, 1 Grms (Operating, Random)

Ordering Information

FPM-3151G-X0AE	15" XGA Ind. Monitor with Wide Temp
FPM-3151G-R3AE	15" XGA Ind. Monitor w/ Wide Temp, Resistive TS
FPM-3151SR-R3AE	15" XGA Ind. Monitor w/ Sunlight Readable Display

Dimensions

Unit: [mm]



Panel Cut-out Dimensions: 396 x 296 mm (15.59" x 11.65")

Accessories

- FPM-3151G-RMKE** Mounting kit for 19" industrial rack
- 1702002600** Power Cable US Plug 1.8 M
- 1702002605** Power Cable EU Plug 1.8 M
- 1702031801** Power Cable UK Plug 1.8 M
- 1702031836** Power Cable China/Australia Plug 1.8 M

Rack Mount (FPM-3151G-RMKE)



I/O View

