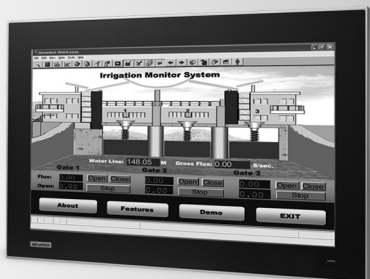


# FPM-7151W

# FPM-7155W

**15.6" Industrial Monitor with Projected Capacitive Touchscreen, Direct-VGA/DVI or VGA/HDMI ports**

**NEW**



## Features

- 15.6" WXGA TFT LED LCD backlight LCD with truly-flat multi-touch screen
- 16:9 wide screen display, view area increases by 40%
- Supports 10 points multi-touch via USB interface in Windows 7/8
- Slim type design for Panel mount / Wall mount easy installation
- Various mounting options: panel, wall, desktop and VESA arm mounting
- Projected Capacitive Touchscreen with reliable glass surface
- Robust design with SECC chassis and Magnesium alloy front panel with IP66 compliance
- OSD control pad on rear cover
- Lockable I/O connectors
- Two types of video port selections- VGA/DVI or VGA/HDMI

## Introduction

With its brand new design, the FPM-7151W provides a new wide screen display size with industrial grade design concept. By truly-flat touch screen, the front bezel meets IP66 testing criteria. FPM-7151W projected capacitive touch can support 10 points (via USB interface in Windows 7/8) touch application. New easy installation design can help you with one person for panel mounting. FPM-7151W monitor with slim enclosure is ideally suited to being either panel or wall mounted.

## Specifications

### General

- **OSD Controls** OSD control in rear cover
- **Certification** BSMI, CCC, CE, FCC Class A, UL
- **Dimensions (W x H x D)** 419.7 x 269 x 47.7 mm (16.52" x 10.59" x 1.88")
- **Enclosure** Front panel: Die-cast Magnesium alloy  
Rear cover: SECC
- **Mounting** Panel, wall, desktop, VESA (MIS,100,C)
- **Power Input** Phoenix Jack: 24 V<sub>DC</sub> input  
DC Jack: external 57 W power adapter, with 100 ~ 240 V<sub>AC</sub> input and 12 V<sub>DC</sub> @ 4.75 A output

Note: AC power adapter is included.

- **Power Consumption** 20 W + 20%
- **Video Port** VGA & DVI-D or VGA & HDMI
- **Weight (Net)** 5kg (11lbs)

### LCD Display

- **Display Type** WXGA TFT LED LCD
- **Display Size** 15.6"
- **Max. Resolution** 1366 x 768
- **Max. Color** 16.7 M
- **Viewing Angle (H/V°)** 170/160
- **Luminance (cd/m<sup>2</sup>)** 300
- **Backlight Life (hrs)** 50,000
- **Contrast Ratio** 500 :1

### Touchscreen

- **Type** Projected capacitive touch
- **Interface** RS-232 and USB
- **Light Transmission** Above 75%
- **OS Support** Windows XP, Vista, 7, 8, XPe and Linux
- **Multi Touch** 10 points, USB interface in Win 7/8.
- **Hardness** 7H

### Environment

- **Operation Temperature** 0 ~ 55°C (32 ~ 131°F)
- **Storage Temperature** -20 ~ 60°C (-4 ~ 140°F)
- **Humidity (Storage)** 10 ~ 90% non-condensing
- **Waterproof** Front panel is IP66 compliant
- **Vibration** 5 ~ 500 Hz, 1 Grms (Operating, Random)

## Ordering Information

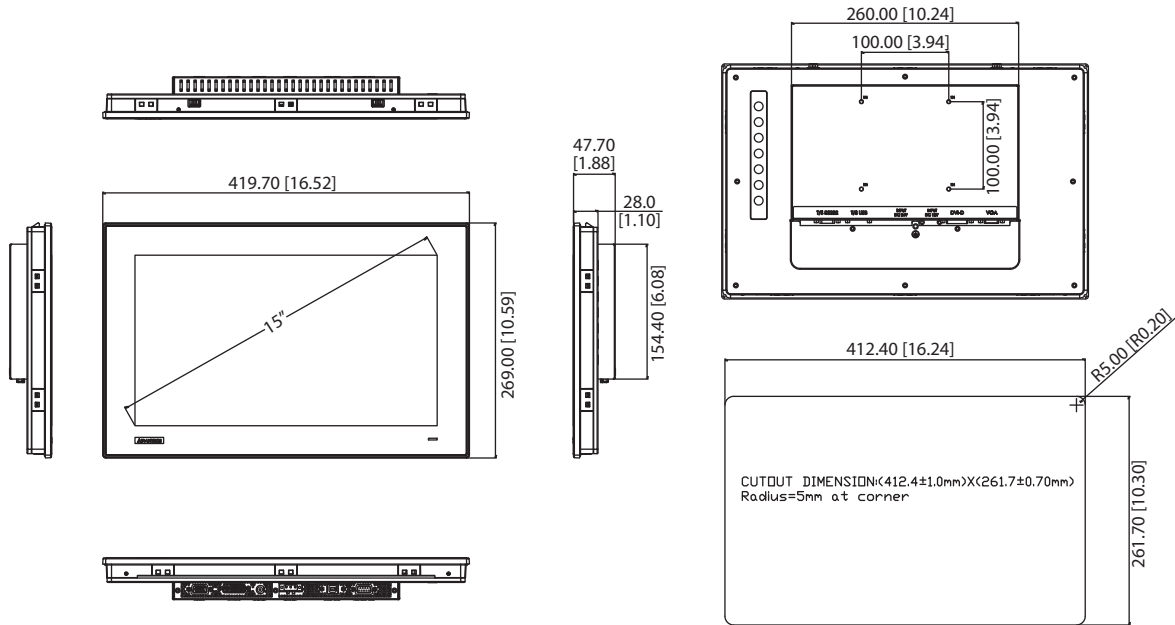
- **FPM-7151W-P3AE** 15.6" WXGA Ind Monitor w/PCT TS (VGA/DVI)
- **FPM-7155W-P3AE** 15.6" WXGA Ind Monitor w/PCT TS (VGA/HDMI)

## Accessories

- **1702002600** Power Cable US Plug 1.8 M
- **1702002605** Power Cable EU Plug 1.8 M
- **1702031801** Power Cable UK Plug 1.8 M
- **1700000596** Power Cable China/Australia Plug 1.8 M
- **FPM-7181W-SMKE** FPM-7181W Mounting kit for desktop & wall

## Dimensions

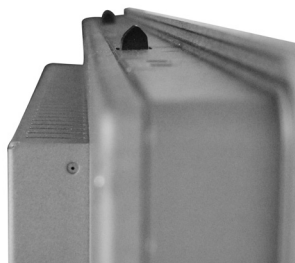
Unit: [mm]



**Panel Cut-out Dimensions: 412.40 x 261.70 mm (16.24" x 10.30")**

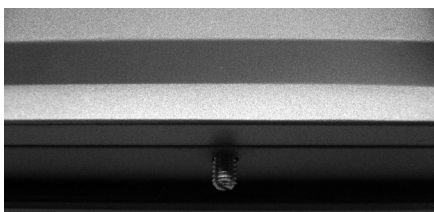
## Easy Installation

### Snap hook in rear cover



Screw to set up the snap hook out of upper side

### Stopper Screw in rear cover



Screw for the stopper screw out of down side

## Rear View

