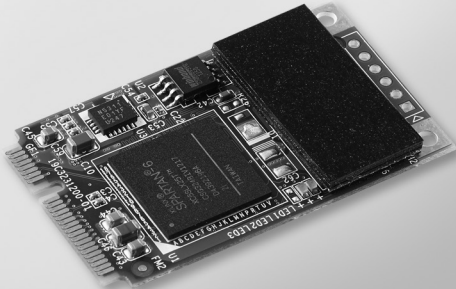


PCM-2300MR

MR4A16B, NV-RAM, MRAM,
2MByte, mPCIe

NEW



Features

- Meets Advantech Standard iDoor Technology
- PCI Express® Mini Card Specification Revision 1.2 compliant
- Data always non-volatile for >20-years at temperature
- Read / Write Memory speed 6 MB/Sec
- 2MB MRAM Storage
- I/O address automatically assigned by PCIe plug & play
- Supports Microsoft® Windows CE5/CE6 driver
- Supports Microsoft® Windows Enterprise Server 2008 / WES (Windows Embedded Standard)7/WES2009/Win7/WinXP 32 and 64bits
- Supports Linux Intel x86 hardware platform
- Supports Embedded Automation Computers UNO-2200/2300/2400 series
- Supports Embedded DIN-Rail Controller UNO-1200/1300/1400 series
- Supports Embedded BOX IPC UNO-3000 series
- Supports Embedded Automation Panel Computers TPC-xx82/xx72/xx80 series

Introduction

The PCM-23 series is categorized as Industrial storage or memory modules for the mPCIe interface which is able to extend connection to the connector through iDoor technology with different functions. They are all compatible with the PCI Express® Mini Card Specification Revision 1.2. including Isolated / Non-Isolated RS-232/422/485 communication cards for automation control, Wi-Fi/3G/GPS/GSM/LTE wireless communication models for data exchange during the management and machine level of automation application, Zigbee module as an IoT terminal or controller and PoE function for smart camera in detect inspection application of production. This is a flexible design that enables customers to customize their features which meet iDoor Technology.

Specifications

General

- **Bus Type** PCI Express Mini Card Revision 1.2
- **Certification** CE, FCC class A
- **Dimensions** Module: 51 x 30 x 12.4 mm (2" x 1.18" x 0.49")
- **Power Consumption** Typical : +3.3V @ 150mA

Memory

- **Memory** Everspin MR4A16B
- **Size** 2 MB
- **Read/Write Speed** 6 MB/sec

Software

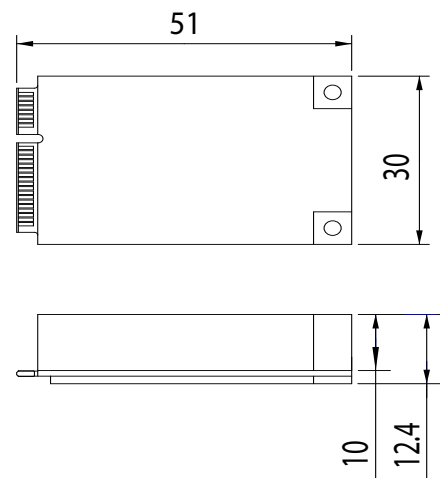
- **Driver** Microsoft® Windows CE5/CE6 driver Microsoft® Windows Enterprise Server 2008 / WES (Windows Embedded Standard)7/WES2009/Win7/ WinXP 32 and 64bits

Environment

- **Humidity(Operating)** 5-95% RH, non-condensing
- **Operating Temperature** - 20 ~ 60°C (-4 ~ 140°F)
- **Storage Temperature** - 40 ~ 85°C (-40 ~ 185°F)
- **Maximum magnetic field immunity during write** 8000 A/m
- **Maximum magnetic field during read or standby** 8000 A/m

Dimensions

Module
PCM-2300MR



Ordering Information

- **PCM-2300MR-AE** MR4A16B, MRAM, 2MByte