

# UNO-3283G

## Intel® Core™ i7 Automation Computer w/ 2 x GbE, 2 x mPCIe, HDMI, DVI-I

**NEW**



### Features

- 6th Generation Intel® Quad Core Processors, up to 2.0 GHz with 8GB DDR4 Memory
- 2 x GbE, 6 x USB 3.0, 2 x RS-232/422/485, 1 x RS-422/485 (pin header),
- 1 x DVI-I, 1 x HDMI
- 1 x PCIe16, 1x PCI, 2 x mPCIe (2 x full), 1x CFast slot, 1 x mSATA slot (optional)
- Thumb screw for easy maintenance
- Hot-Swappable HDD/SSD support for RAID 0/1
- Easily exchangeable RTC battery
- Supports Fieldbus Protocol by iDoor Technology
- Chassis Grounding Protection
- LAN Redundancy (Teaming)



### Introduction

The high performing UNO-3283G models are configured with high-performance Intel Gen.6 Quad Core i7 processor and QM170 PCH, which offers users the maximum flexibility, up to three displays, six USB 3.0 ports, two mPCIe sockets, and up to three expansion slots including one PCIe16 slot, one PCI slot and one iDoor expansion, iDoor technology supports automation feature extensions such as industry Fieldbus communication, POE, COM & Digital I/O. The UNO-3283G has a variety of convenient designs, captive thumb screw, dual hot-swappable HDD/SSD slots, exchangeable RTC battery can facilitate the maintenance work, and preventing unstable environment like as power drop via dual power input.

### Specifications

#### General

- **Certification** CE, UL, CCC, FCC, BSMI
- **Dimensions (W x D x H)** 142 x 238 x 177 mm (5.6" x 9.3" x 6.9")
- **Form Factor** Regular Size
- **Mounting** Wall mount, Stand mount, Enclosure mount
- **Weight (Net)** 4.5kg (9.9lbs)
- **Power Requirements** 10-36 V<sub>DC</sub>
- **Power Consumption** 30W (Typical @ 24W); 90W (Max. @ 24W)
- **OS Support** WIN7/8/10, WES7, Win10 Ent. LTSB, AdvLinuxTu

#### System Hardware

- **BIOS** AMI UEFI 128Mbit Flash BIOS
- **Watchdog Timer** Programmable 256 levels timer interval, from 1 to 255 sec (Timebase 100ms of trigger timer in AP mode is available)
- **Processor** Intel® Core™ i7-6822EQ 2.0GHz SkyLake-H Quad Core L2
- **System Chip** Integrated Intel 100 Series Chipset
- **Memory** Built-in 8GB DDR4 2133 MHz (Optional ECC RAM with selected RAM module)
- **Graphics Engine** Intel HD Graphics 100 series
- **Ethernet** LAN A: Intel® I219-LM GbE, Intel® AMT, IEEE802.1AS, 802.3az  
LANB: Intel® I210-IT GbE, IEEE802.1AS, 802.3az
- **LED Indicators** LEDs for Power, LAN, Tx/Rx, battery and HDD
- **Storage** One mSATA slot; One CFast slot  
Two built-in 2.5" SATA HDD brackets with support for RAID 0/1. (Compatible with 9.5mm height HDD)
- **Expansion** 1 x PCIe16, 1 x PCI, 2 x Full-size mPCIe

#### I/O Interfaces

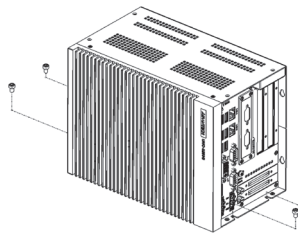
- **Serial Ports** 2 x RS-232/422/485 with DB9 connectors, automatic RS-485 data flow control, 2 x RS-232 (optional pin header)
- **LAN Ports** 2 x RJ45, 10/100/1000 Mbps IEEE 802.3u 1000Base-T Fast Ethernet
- **USB Ports** 6 x USB 3.0 Ports
- **Displays** 1 x DVI-I, supports 1920 x 1080 @ 60Hz 24bpp  
1 x HDMI 1.4a, supports 1920 x 1080 @ 24Hz 24bpp
- **Audio** Mic-in, Line-In, Line-Out (Pin Header)
- **Power Connector** 2 x 3 Pin, terminal Block to support dual power input and relay output

#### Environment

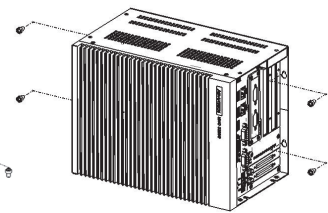
- **Operating Temperature** -20 ~ 60°C (-4 ~ 140°F) with 0.7m/s airflow environment
- **Storage Temperature** -40 ~ 85°C (-40 ~ 185°F)
- **Relative Humidity** 10 ~ 95% RH, non-condensing
- **Shock Protection** Operating, IEC 60068-2-27, 50G, half sine, 11ms
- **Vibration Protection** Operating, IEC 60068-2-64, 4Grms, random, 5 ~ 500Hz, 1hr/axis (SSD); 1.5Grms, random, 5 ~ 500Hz, 1hr/axis (HDD)

### Installation Scenario

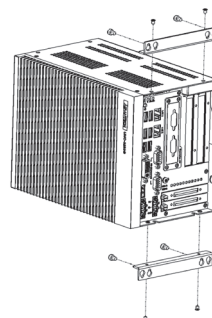
#### Stand mount



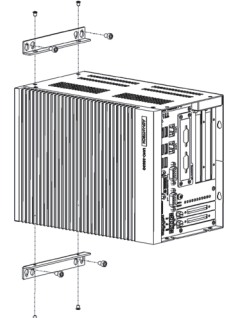
#### Wall mount 02



#### Enclosure Mount 01

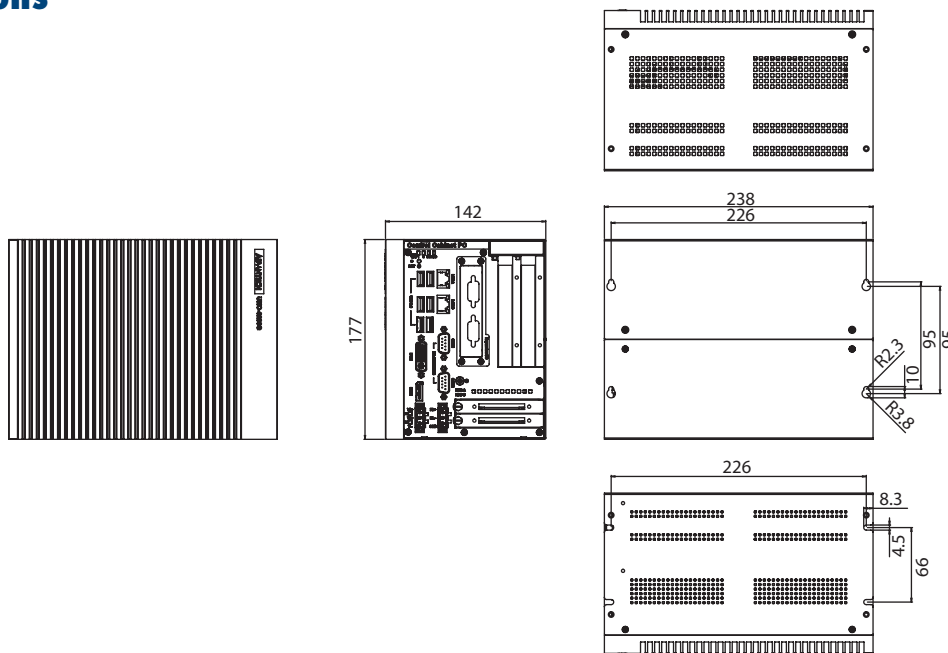


#### Wall mount 01

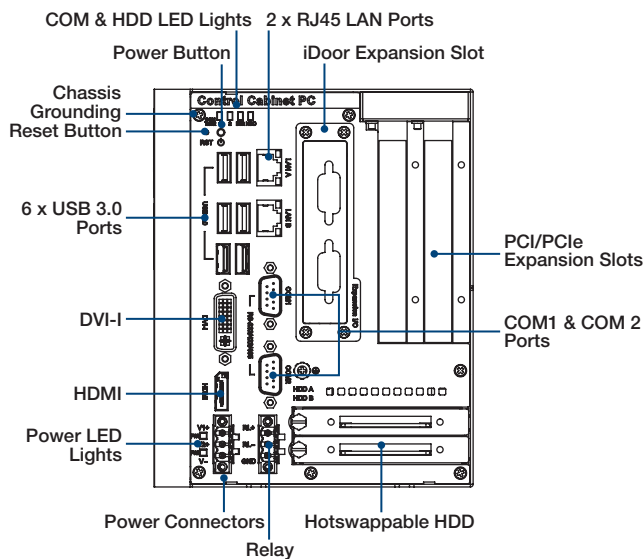


## Dimensions

Unit: mm



## I/O View



## iDoor Modules

- **PCM-2300MR-AE** MR4A16B, 2MByte
- **PCM-26D1PB-AE** Hilscher netX100 FieldBus, ProfiBus, DB9 x 1
- **PCM-26D2CA-AE** SJA1000 CANBus, CANOpen, DB9 x 1
- **PCM-24D2R4-AE** OXPcie-952 UART, Isolated RS-422/485, DB9 x 2
- **PCM-24D2R2-AE** OXPcie-952 UART, Isolated RS-232, DB9 x 2
- **PCM-24D4R4-AE** OXPcie-954 UART, Non-Isolated RS-422/485, DB37 x 1
- **PCM-24D4R2-AE** OXPcie-954, UART, Non-Isolated RS-232, DB37 x 1
- **PCM-27D24DI-AE** Digital I/O, 16DI / 8DO, DB37 x 1
- **PCM-24R1TP-AE** Intel 82574L, GbE, IEEE 1588 PTP, RJ45 x 1

## Optional Accessories

- **96PSA-A150W24T2** 150W AC to DC power adapter
- **1702002600** Power Cable US Plug 1.8 M
- **1702002605** Power Cable EU Plug 1.8 M
- **1702031801** Power Cable UK Plug 1.8 M
- **1700000596** Power Cable China/Australia Plug 1.8 M
- **UNO-3200MKT-AE** Mounting kit for UNO-3200 series

## Ordering Information

- **UNO-3283G-674AE** Intel Core™ i7-6822EQ 2.0GHz, 8GB, 2 x LAN, 1 x PCIe16, 1 x PCI, 2 x Full-size mPCIe