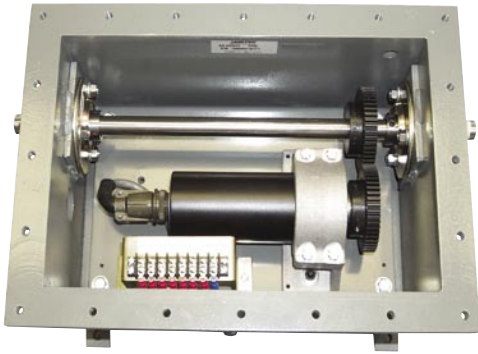


Mill-Duty Resolver Housing



*Resolver not included in the price of the housing.

1986MD

1

AR

1

VT1

Housing Configurations	
1	1/4" plate steel housing with plate steel bolted cover sized for single turn resolver. (see Figure 1MD)
2	1/4" plate steel housing with hinged 10 ga. sheet metal cover sized for single turn resolver. (see figure 2MD)
3	1/4" Plate steel housing with plate steel bolted cover sized for geared or multi-turn dual resolvers. (see figure 3MD)
4	1/4" plate steel housing with hinged 10 ga. sheet metal cover sized for geared or multi-turn dual resolvers. (see figure 4MD)

Geared or multi-turn dual resolvers are slightly longer than single turn resolvers and will require the larger housing. Single turn resolvers will mount in either size housing.

Shaft Configuration	
AR	Std. 3/4" input shaft exiting the right end of the housing
AL	Std. 3/4" input shaft exiting the left end of the housing.
B	Std. 3/4" input shaft exiting both ends of the housing.

Gear Ratio Between Input Shaft and Resolver	
1	Standard 1:1 gearing.
2	2:1 gear reduction.
3	3:1 gear reduction.
4	1:2 gear multiplier.
5	1:3 gear multiplier.

Options	
V	Vortex air cooler.
S1	All 304SS construction, housing and exposed parts.
S2	All 316SS construction, housing and exposed parts.
T1	Resolver cable is wired to terminal strip for single turn resolver.*
T2	Resolver cable is wired to terminal strip for multi-turn dual resolver.*

*This option includes a resolver cable wired to a terminal strip that is mounted in the enclosure. It does not include a resolver.

Housing for Single-Turn Resolver Shaft Shown Exiting Right End

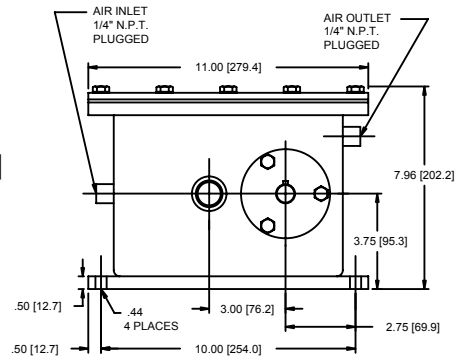
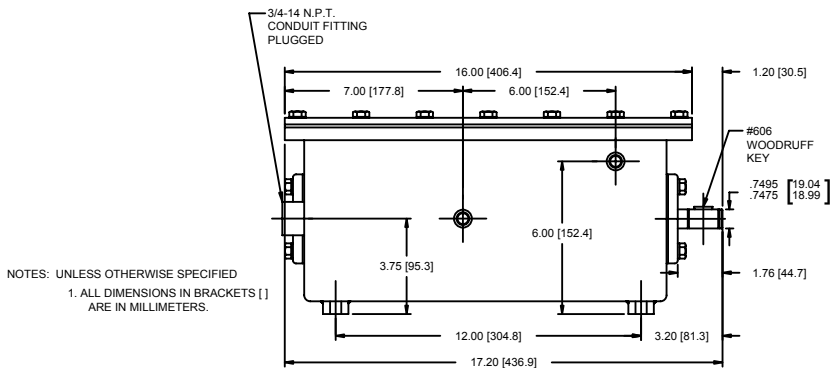


Figure 1MD

NOTES: UNLESS OTHERWISE SPECIFIED
1. ALL DIMENSIONS IN BRACKETS [] ARE IN MILLIMETERS.

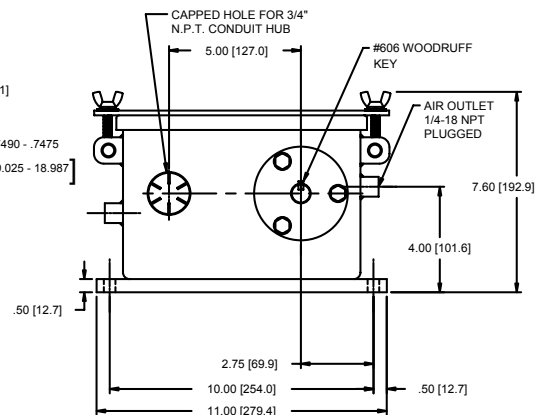
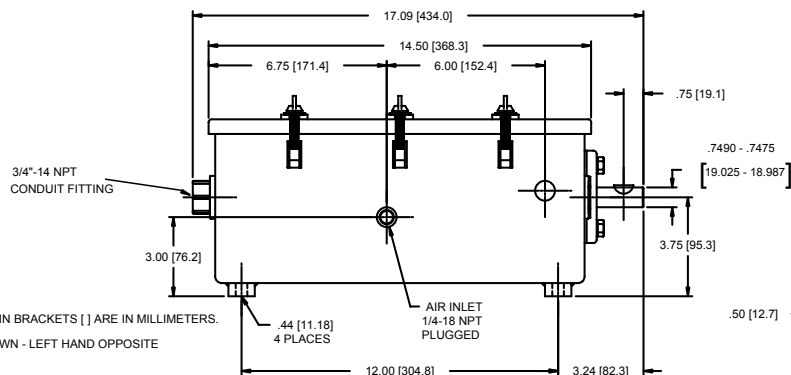


Figure 2MD

NOTE: ALL DIMENSIONS IN BRACKETS [] ARE IN MILLIMETERS.
NOTE: RIGHT HAND SHOWN - LEFT HAND OPPOSITE

Mill-Duty Resolver Housing



Housing for Geared or Multi-Turn Dual Resolver Shaft Shown Exiting Right End

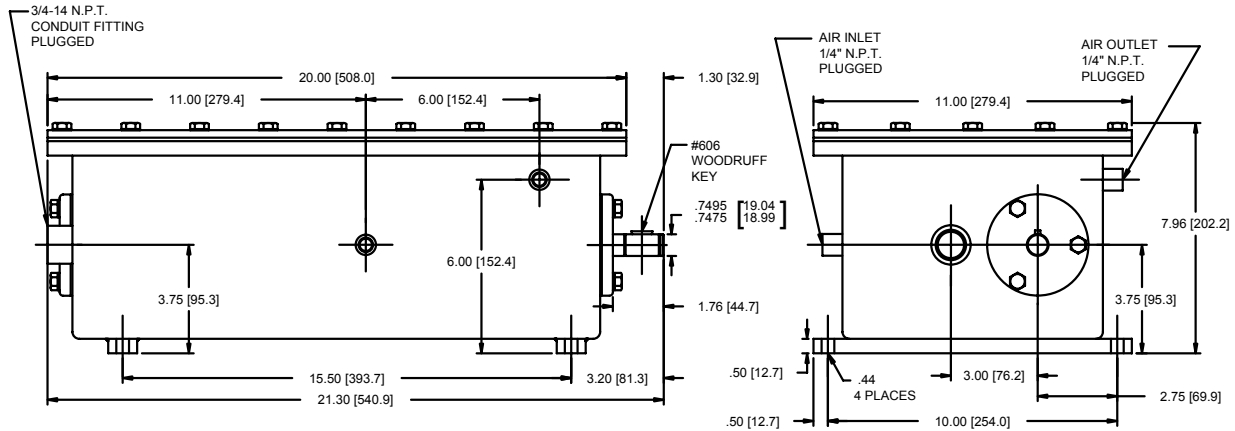
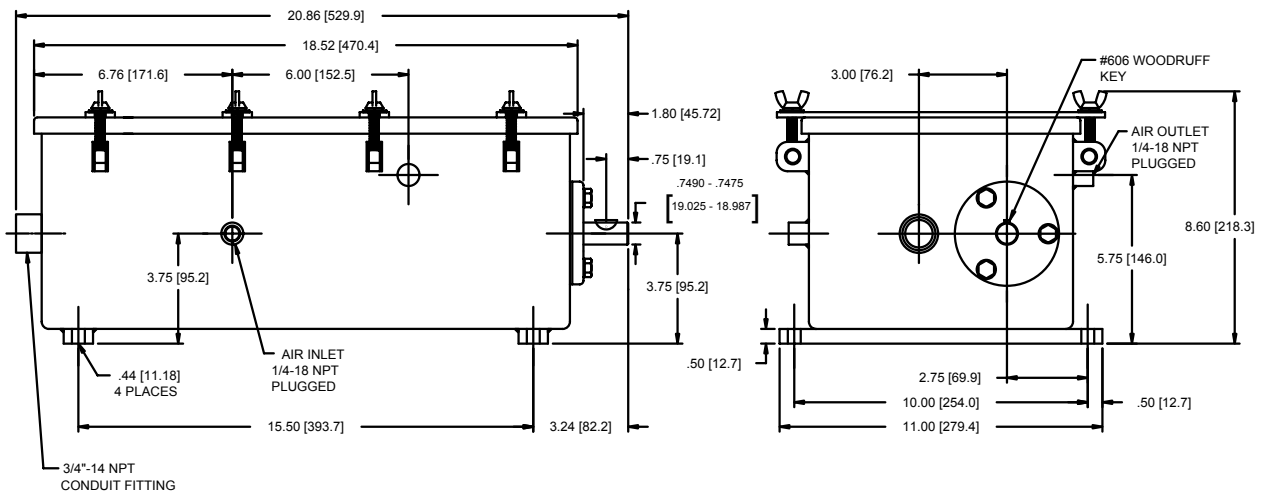


Figure 3MD



NOTE: ALL DIMENSIONS IN BRACKETS [] ARE IN MILLIMETERS.
NOTE: RIGHT HAND SHOWN - LEFT HAND OPPOSITE

Figure 4MD