

Magnetostrictive LDT In A Low Profile Package

The 955S Smart BRIK is an accurate, programmable zero and span, auto-tuning, non-contact linear position sensor in an economical, low profile package. The sensor utilizes our field proven magnetostrictive technology to give absolute position, repeatable to .01% of the sensing distance. The 955S Smart BRIK is a cost effective linear sensing solution.

The streamlined anodized aluminum extrusion houses the sensing element and electronics. The magnet slide moves over the sensing element that determines the position and converts it to a readable output. The 955S Smart BRIK is a self-contained unit and does not have a can or head assembly. All of the electronics are incorporated in the transducer which is less than one inch tall. Units can be ordered in span lengths up to 180 inches long in 0.1 inch increments. The magnet slide is designed to move effortlessly along the transducer in guide tracks or a floating magnet assembly can be positioned above the unit.

A variety of hardware is available for attaching the magnet slide to the moving portion of the process. The transducer can be mounted vertically or horizontally using our mounting feet which slide on the lower part of the extrusion and clamp down when tightened. This packaging provides a compact and easy method of mounting for machine builders.

The transducer can be ordered with 0-10 VDC, 4-20 mA, or -10 to 10 VDC output. All units are provided with a standard quick disconnect connector. A unique feature is the diagnostic LED that remains green when a good magnet signal is present and when in the active programmed area. The LED turns yellow when the magnet is out of the programmed active range but still within the active stroke area. The LED turns red when there is no magnet present or the magnet assembly is out of the sensing area.

The 955S Smart BRIK is designed for applications where economical continuous feedback is necessary. The sensor can be a cost effective replacement to limit and proximity sensors and linear potentiometers. Applications include presses, blow molding, injection molding, extruding, roll positioning and many more.

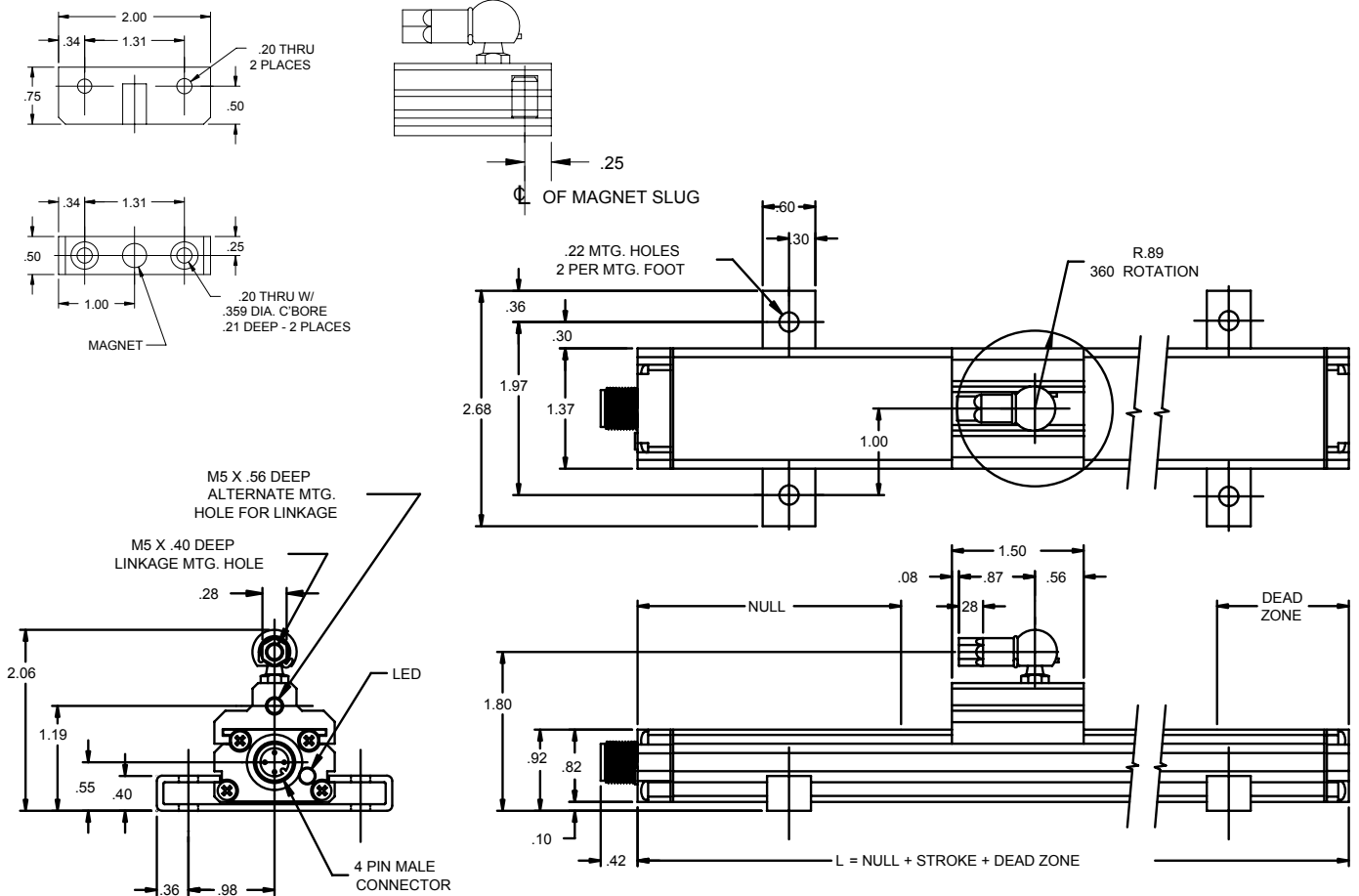


Specifications

Specifications	
Input Voltage	10 - 30 VDC
Current Draw	100 mA Max.
Output	V0 = 0 - 10 VDC V1 = 10 - 0 VDC V2 = -10 to 10 VDC V3 = 10 to -10 VDC V4 = 0 to 5 VDC V5 = 5 to 0 VDC V6 = -5 to 5 VDC V7 = 5 to -5 VDC C4 = 4 to 20 mA C2 = 20 to 4 mA
Linearity	+/- 0.05% of Full Stroke
Accuracy	+/- 0.1% of Full Stroke
Repeatability	+/- 0.01% of Full Stroke
Operating Temperature	-40° to 158° F (-40° to 70° C)
Span Length	4" - 180"
Null Zone	3"
Dead Zone	1.5"
Connectors	12mm Micro 4 Pin
Enclosure	IP67, IP68 Optional
Approvals	CE, FM Class I, Div 2 Optional

Specifications are subject to change without notice.

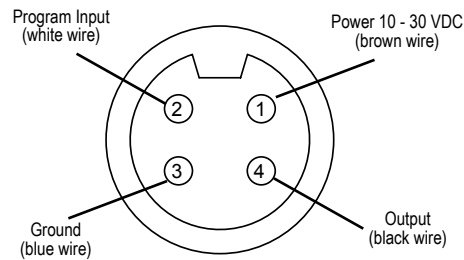
Dimension Drawing



955

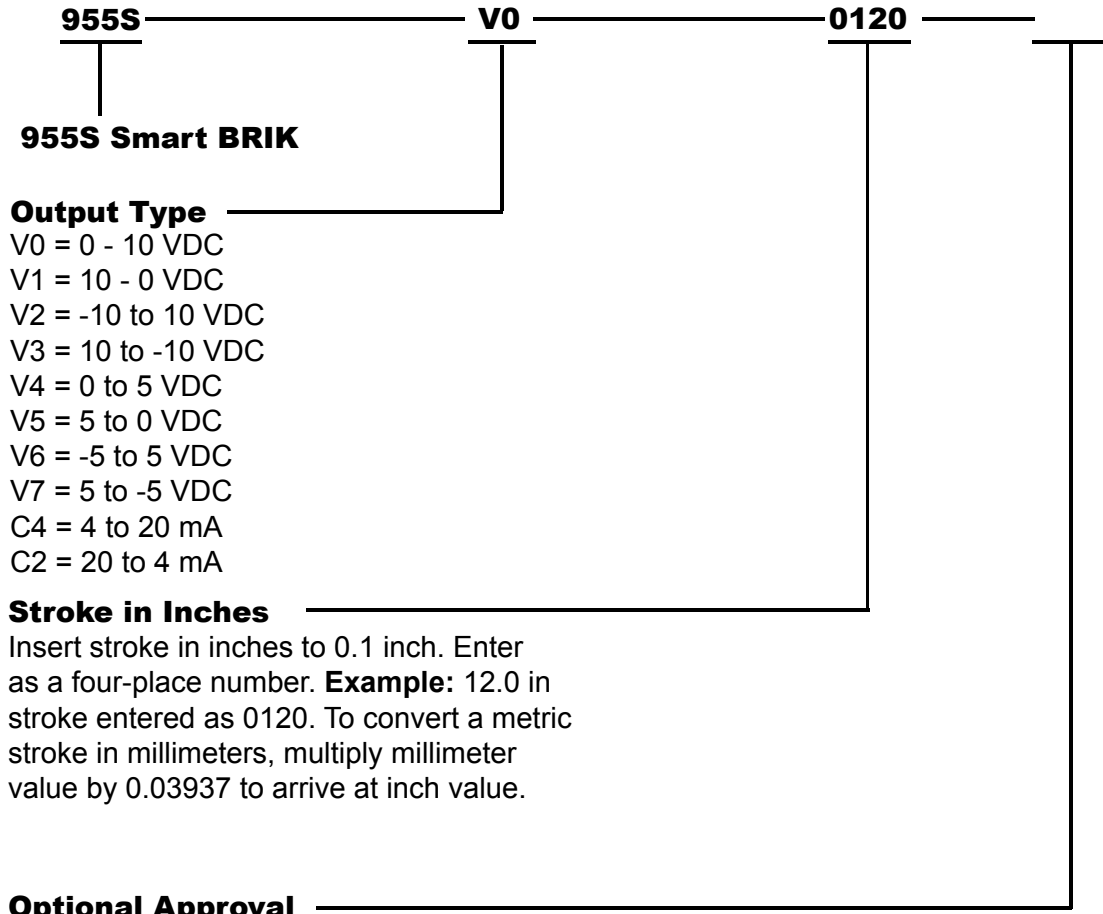
Wiring Diagram

Use Euro Connector (micro 12 mm single keyway) cordsets, available from most connector manufacturers or purchased from Ametek. Install according to the following diagram:



LDT Connector View

Part Numbering



Output Type

- V0 = 0 - 10 VDC
- V1 = 10 - 0 VDC
- V2 = -10 to 10 VDC
- V3 = 10 to -10 VDC
- V4 = 0 to 5 VDC
- V5 = 5 to 0 VDC
- V6 = -5 to 5 VDC
- V7 = 5 to -5 VDC
- C4 = 4 to 20 mA
- C2 = 20 to 4 mA

Stroke in Inches

Insert stroke in inches to 0.1 inch. Enter as a four-place number. **Example:** 12.0 in stroke entered as 0120. To convert a metric stroke in millimeters, multiply millimeter value by 0.03937 to arrive at inch value.

Optional Approval

- Leave blank for no options
- FM = FM approved, Class 1, Div 2
- E = Wet Environment, electronics sealed to IP 68 Rating.

Accessories	
Item	Part Number
Slide Magnet	SD0521800
Float Magnet	SD0522100
Mounting Foot	SD0522000
6 Ft. Cable	949001L6
12 Ft. Cable	949001L12
6 Ft. Cable; Right Angle Connector	949002L6
12 Ft. Cable; Right Angle Connector	949002L12
Control Arm	955ARMXX (X = Inches)
Rod End	04-570252

