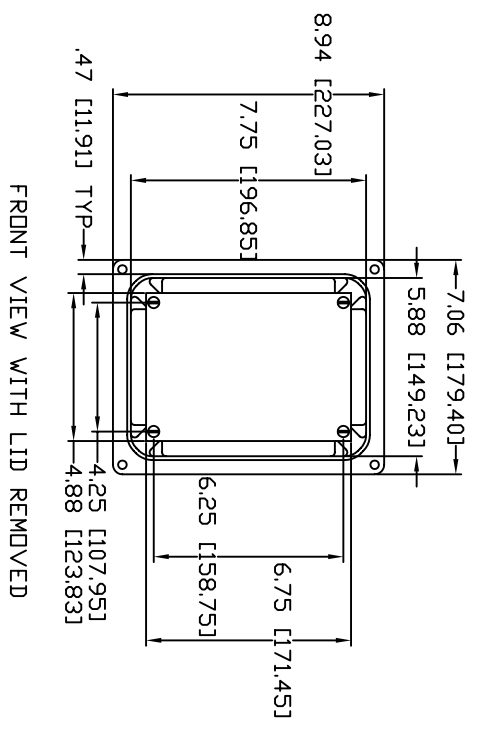
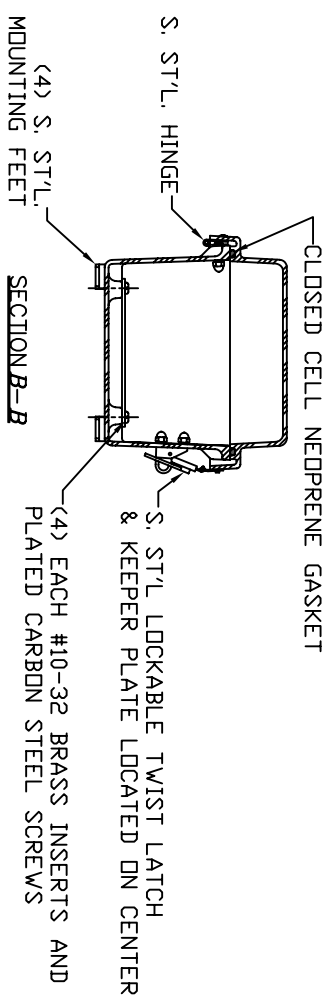
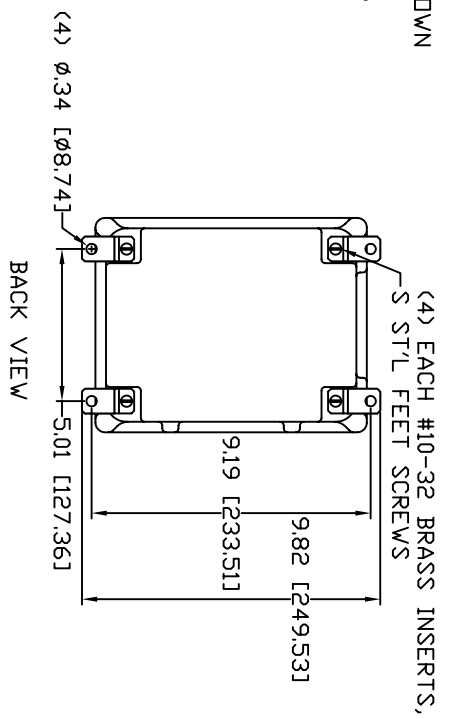
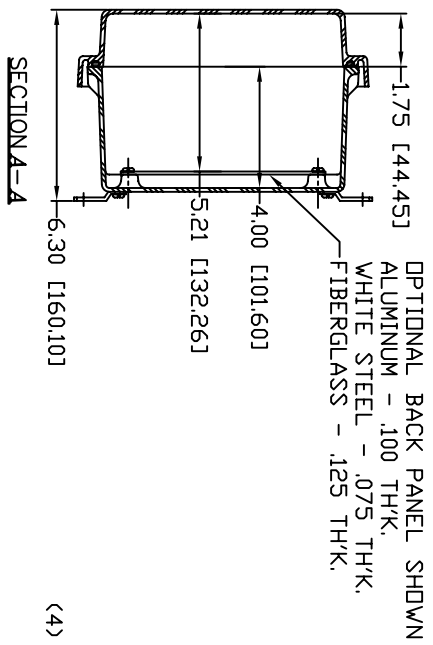
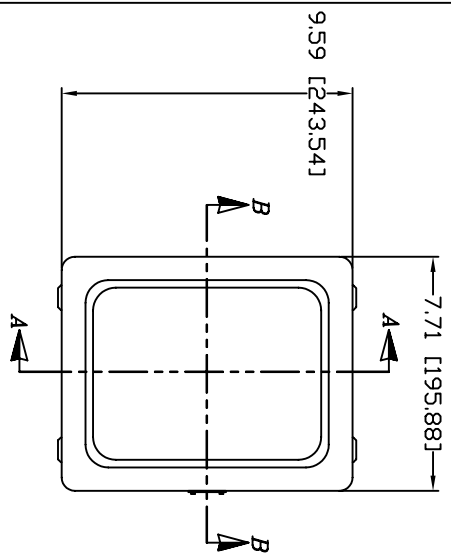


AM864RT



MATERIAL:
 BOX - COMPRESSION MOLDED FIBERGLASS REINFORCED POLYESTER
 COVER - COMPRESSION MOLDED FIBERGLASS REINFORCED POLYESTER
 WINDOWS - POLYCARBONATE

THESE MATERIALS ARE VIEWED BY THE ALLIED
 ENGINEERING AND DESIGN DEPARTMENT
 IN ACCORDANCE WITH THE PATENT RIGHTS OF ALLIED
 ENGINEERING AND DESIGN.

CONFIDENTIAL