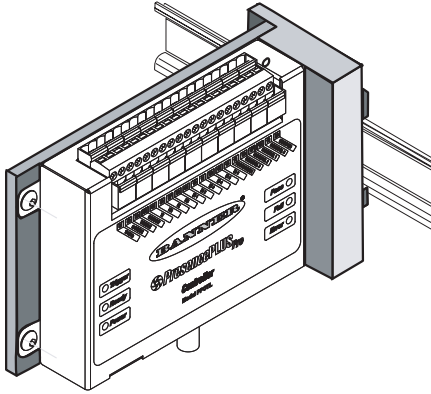


SMBPPDE Mounting Bracket

For use with PresencePLUS[®] Pro Controller

Features

- Black ABS construction
- Provides edge mounting of controller onto DIN rail to save space
- Controller easily snaps onto or removes from DIN rail without tools
- Mounting hardware is included in kit



Dimensions

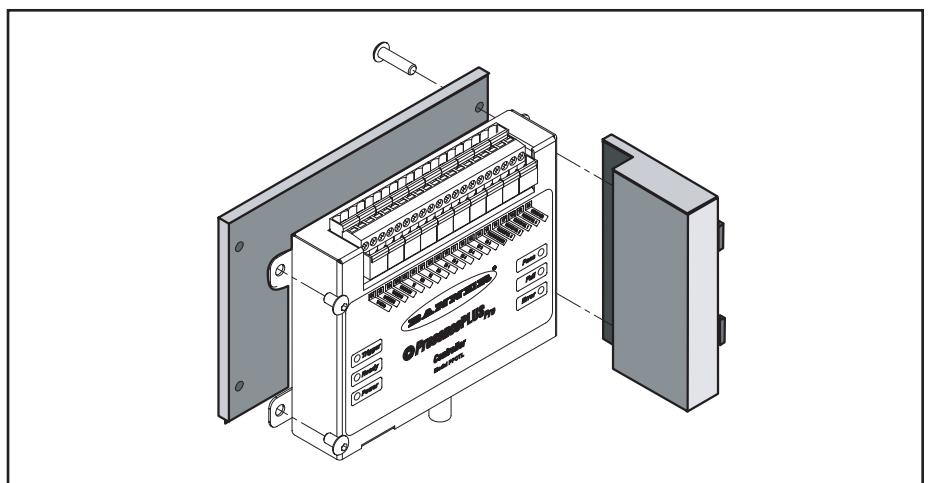
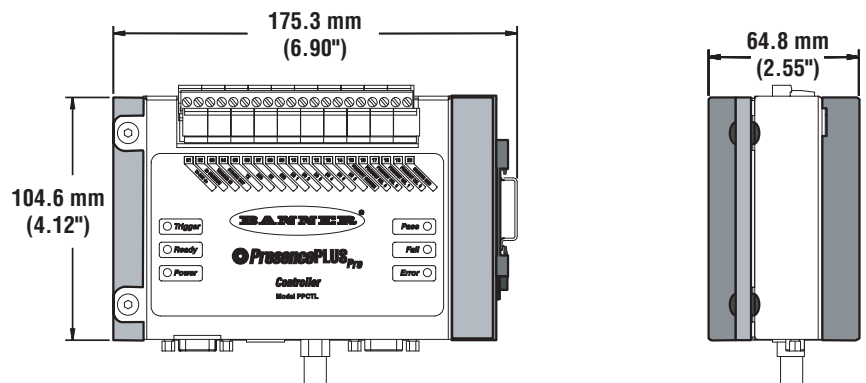


Figure 1. Model SMBPPDE bracket and PresencePLUS Pro controller assembly