

EZ-LIGHT™ Indicators — Daylight Visible



AC-Operated Indicators for Outdoor Applications

For the latest technical information about this product, including specifications, dimensions, and wiring, see www.BannerEngineering.com.



- Intense levels of light output for outdoor applications
- Controlled field of view for signage and narrow lane use
- May also be used for low-cost vision sensor illumination
- Rugged, cost-effective and easy to install
- Compact devices are completely self-contained — no controller needed
- Up to three colors in one housing
- Immune to ambient light, EMI and RFI interference
- 50 mm diameter with flat profile and 30 mm mounting base
- 85 to 130V ac operation

Models



NOTE: Optional sun shield model K50DS is available for enhanced visibility in desert sun brightness levels (see [Sun Shield](#) on page 3).

Model*	LED Function**	Inputs‡
K50LDGA120Q	1 Color: Green	85 to 130V ac
K50LDRA120Q	1 Color: Red	
K50LDYA120Q	1 Color: Yellow	
K50LDWA120Q	1 Color: White	
K50LDBA120Q	1 Color: Blue	

* Integral QD models only are listed.

- For 2 m (6.5') cable, omit suffix **Q** from model number (example, **K50LDGA120**).
- A model with a QD requires a mating cable (see [3-pin Micro-Style Cordsets](#) on page 3).



WARNING: Not To Be Used for Personnel Protection

Never use this product as a sensing device for personnel protection. Doing so could lead to serious injury or death. This product does NOT include the self-checking redundant circuitry necessary to allow its use in personnel safety applications. A sensor failure or malfunction can cause either an energized or de-energized sensor output condition.



Specifications

Supply Voltage and Current

85 to 130V ac or 75 to 120V dc @ 16 mA max.

Supply Protection Circuitry

Protected against transient voltages

Input Response Time

Indicator ON/OFF: 500 μ s max.

Environmental Rating

Fully encapsulated, rated IEC IP67

Construction

Polycarbonate, 30 mm mount

Connections

Integral 3-pin Micro-style QD or 2 m (6.5') integral cable, depending on model

Operating Conditions

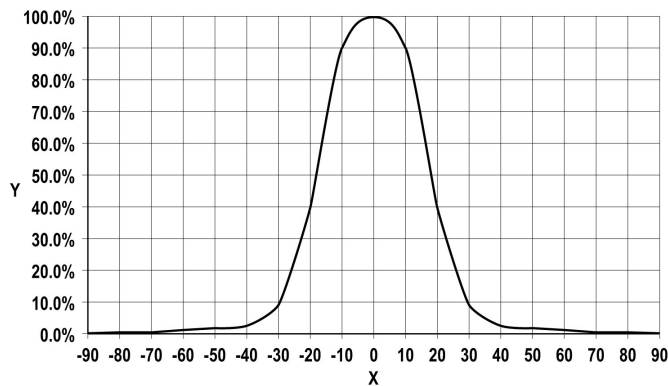
-40° to +50° C (-40° to +122° F)

90% @ 55° C max. relative humidity (non-condensing)

Certifications



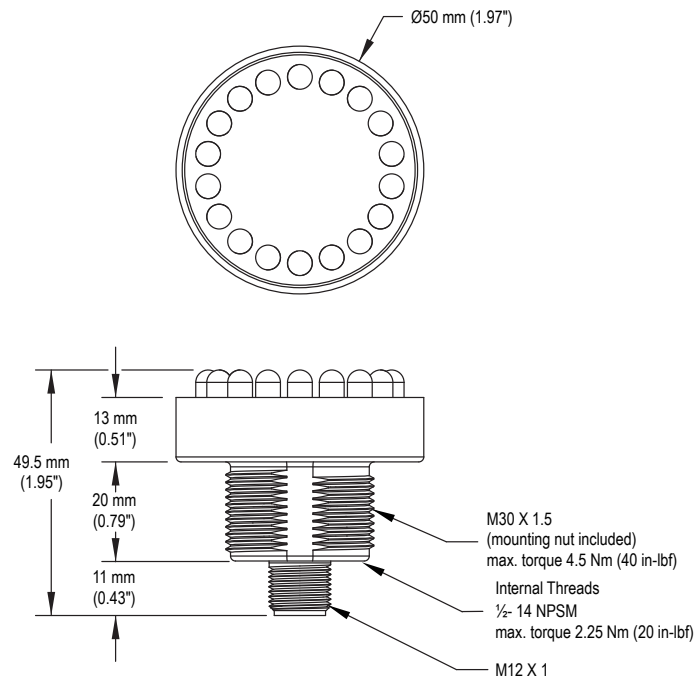
Percent of Maximum Intensity vs Viewing Angle



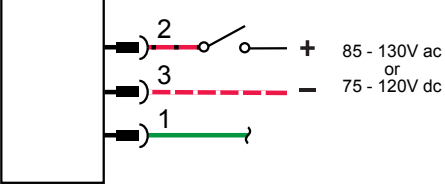
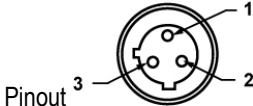
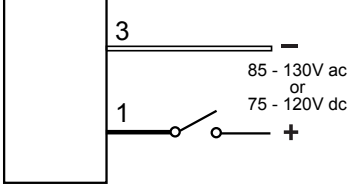
X: Viewing Angle (Deg)

Y: Intensity (Percent)

Dimensions




Wiring

Quick-Disconnect (QD) Models	Cabled Models
 <p data-bbox="638 289 881 436"> Wiring Key: 1 = Green (not used) 2 = Red/Black 3 = Red/White </p>  <p data-bbox="651 562 716 590">Pinout</p>	 <p data-bbox="1336 310 1482 415"> Wiring Key: 1 = Black 3 = White </p>

3-pin Micro-Style Cordsets

3-pin Micro-Style Cordsets (straight connector)	3-pin Micro-Style Cordsets (right-angle connector)
<p data-bbox="191 751 410 856"> MQDC-306, 2 m (6.5') MQDC-315, 5 m (15') MQDC-330, 9 m (30') </p>	<p data-bbox="857 751 1101 856"> MQDC-306RA, 2 m (6.5') MQDC-315RA, 5 m (15') MQDC-330RA, 9 m (30') </p>

Sun Shield

<p data-bbox="151 1203 228 1234">K50DS</p>	<ul data-bbox="321 1192 889 1255" style="list-style-type: none"> • Use for enhanced visibility in desert sun brightness levels • Thermoplastic polyester 	
---	--	---

Accessory Mounting Brackets

For more information about these and other available brackets, visit www.bannerengineering.com.

30 mm brackets mount to base of light:

- SMB30A
- SMBAMS30RA
- SMBAMS30P
- SMB30SC
- SMB30MM
- SMB3018SC

Contact Us

For more information: Contact your local Banner representative or Banner Corporate Offices around the world.

Corporate Headquarters: Banner Engineering Corp. 9714 Tenth Ave. North, Mpls., MN 55441, Tel: 763-544-3164, www.bannerengineering.com, sensors@bannerengineering.com

Europe: Banner Engineering Europe Park Lane, Culliganlaan 2F, Diegem B-1831 BELGIUM, Tel: 32-2 456 07 80, Fax: 32-2 456 07 89, www.bannereurope.com, mail@bannereurope.com

Latin America: Contact Banner Engineering Corp. (US) or e-mail **Mexico:** mexico@bannerengineering.com; or **Brazil:** brasil@bannerengineering.com

Asia:

Banner Engineering China Shanghai Rep Office Rm. G/H/I, 28th Flr. Cross Region Plaza No. 899, Lingling Road, Shanghai 200030 CHINA, Tel: 86-21-54894500, Fax: 86-21-54894511, www.bannerengineering.com.cn, sensors@bannerengineering.com.cn

Banner Engineering Japan Cent-Urban Building 305 3-23-15, Nishi-Nakajima Yodogawa-Ku, Osaka 532-0011 JAPAN, Tel: 81-6-6309-0411, Fax: 81-6-6309-0416, www.bannerengineering.co.jp, mail@bannerengineering.co.jp

Banner Engineering Asia — Taiwan Neihu Technology Park 5F-1, No. 51, Lane 35, Jihu Rd., Taipei 114 TAIWAN, Tel: 886-2-8751-9966, Fax: 886-2-8751-2966, www.bannerengineering.com.tw, info@bannerengineering.com.tw

Banner Engineering India Pune Head Quarters Office, No. 1001 Sai Capital, Opp. ICC Senapati Bapat Road, Pune 411016 INDIA, Tel: 91-20-66405624, Fax: 91-20-66405623, www.bannerengineering.co.in, india@bannerengineering.com



Warranty: Banner Engineering Corporation warrants its products to be free from defects for a period of one year. Banner Engineering Corporation will repair or replace, free of charge, any product of its manufacture found to be defective at the time it is returned to the factory during the warranty period. This warranty does not cover damage or liability for the improper application of Banner products. This warranty is in lieu of any other warranty either expressed or implied.