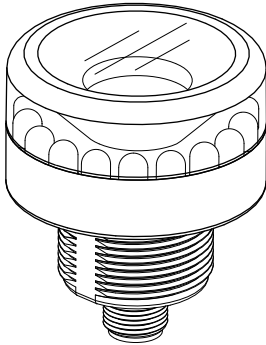


EZ-LIGHT® K50 Rotating and Strobing Beacon



Daylight-visible, general-purpose indicators for indoor or outdoor use

For the latest technical information about this product, including specifications, dimensions, and wiring, see www.BannerEngineering.com



Features

- Intense levels of light output for areas with high ambient light — even outdoors
- Viewable around entire perimeter; strobing models also emit light from top
- Rotating and Strobing models
- Rugged, sealed thermoplastic housing rated for IP67 and IP69K
- Cabled and quick-disconnect models available
- 12 to 30V dc operation
- 12V dc operation useful for applications on mobile vehicles

Models

Model	Function	Connection	LED Color	Input Voltage
K50BLR1XGXPQ	Rotating	5-pin Euro Integral QD Connector	Green	12 to 30V dc
K50BLR1XRXPQ			Red	
K50BLR1XYXPQ			Yellow	
K50BLR1XBX PQ			Blue	
K50BCLS1XGXPQ	Strobing		Green	
K50BCLS1XRXPQ			Red	
K50BCLS1XYXPQ			Yellow	
K50BCLS1XBX PQ			Blue	

* Integral QD models only are listed.

- For 150 mm PVC pigtail with QD, replace **Q** with **QP** in model number (example, **K50BLR1XGXPQP**).
- For 2 m (6.5') cable, omit suffix **Q** from model number (example, **K50BLR1XGXP**).
- A model with a QD requires a mating cable (see [Accessory Cordsets](#) on page 3).

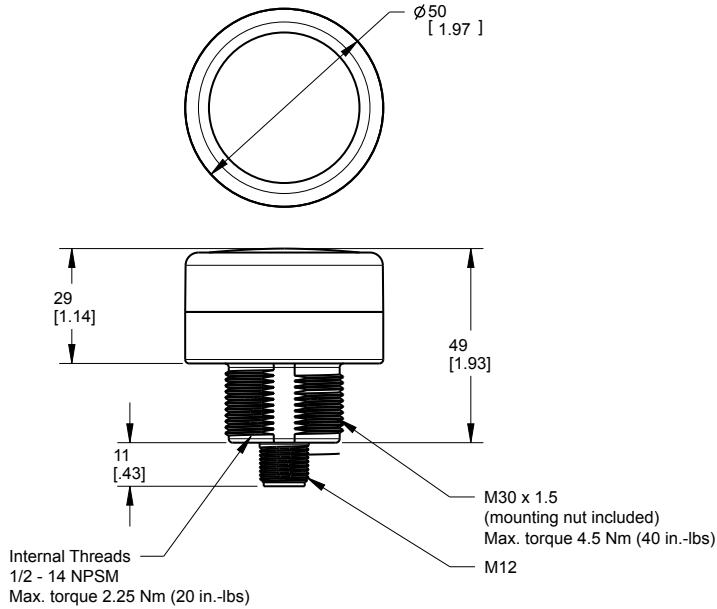


WARNING: Not To Be Used for Personnel Protection

Never use this product as a sensing device for personnel protection. Doing so could lead to serious injury or death. This product does NOT include the self-checking redundant circuitry necessary to allow its use in personnel safety applications. A sensor failure or malfunction can cause either an energized or de-energized sensor output condition.



Dimensions



Specifications

Supply Voltage and Current

12-30V dc

Rotating models: 140 mA max. @ 12V dc, 70 mA max. @ 30V dc

Strobing models: 160 mA max. @ 12V dc, 100 mA max. @ 30V dc

Supply Protection Circuitry

Protected against reverse polarity and transient voltages

Indicators

LED colors are independently selected, depending on model

Indicator Power-Up Response Time

ON: 250 ms

Environmental Rating

Rated IEC IP67 and IP69K, per DIN 40050

Construction

Base and covers: polycarbonate

Connections

Integral 5-pin Euro-style QD or 2 m (6.5') integral cable, depending on model

Operating Conditions

-40° to +50° C (-40° to +122° F)

90% @ 50° C max. relative humidity (non-condensing)

Vibration and Mechanical Shock

All models meet Mil. Std. 202F requirements method 201A (vibration: 10 to 60 Hz max., double amplitude 0.06", maximum acceleration 10G). Also meets IEC 947-5-2; 30G 11 ms duration, half sine wave.

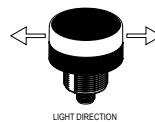
Certifications

Approvals are pending

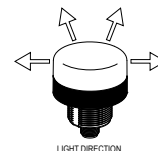
Application Note

Light emits 360° from housing sides and from housing top, some models

Rotating Models



Strobing Models



Wiring

Sourcing (PNP) Input	Pinout	Wiring Key:
		<p>1 = Brown 2 = White 3 = Blue 4 = Black 5 = Gray (Not Used)</p>

Rotating Models		
Wire Color		Function
Blue (3)	0V dc	Common
Black (4)	+V dc	ON continuous
Brown (1)	+V dc	Rotating at 90 rpm
White (2)	+V dc	Rotating at 180 rpm

Strobing Models		
Wire Color		Function
Blue (3)	0V dc	Common
Black (4)	+V dc	ON continuous
Brown (1)	+V dc	Single strobe at 1 Hz
White (2)	+V dc	Double strobe at 1 Hz

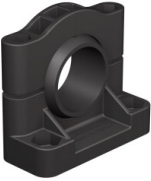



Accessory Cordsets

4-Pin Euro-Style Cordsets



4-Pin M12/Euro-Style Cordsets (straight connector)	4-Pin M12/Euro-Style Cordsets (right-angle connector)
MQDC-406, 2 m (6.5')	MQDC-406RA, 2 m (6.5')
MQDC-415, 5 m (15')	MQDC-415RA, 5 m (15')
MQDC-430, 9 m (30')	MQDC-430RA, 9 m (30')

Accessory Mounting Brackets

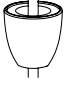


For further bracket information, see the Banner catalog or www.BannerEngineering.com

<p>SMB30SC</p> <ul style="list-style-type: none"> • Swivel bracket with 30 mm mounting hole • Black reinforced thermoplastic polyester • Stainless steel mounting and swivel locking hardware included 		<p>SMB30A</p> <ul style="list-style-type: none"> • Right-angle bracket with curved slot for versatile orientation • Clearance for M6 (1/4") hardware • 30 mm mounting hole • 12-ga. stainless steel 	
<p>SMB30MM</p> <ul style="list-style-type: none"> • 12-ga. stainless steel bracket with curved mounting slots for versatile orientation • Clearance for M6 (1/4") hardware • 30 mm mounting hole 		<p>SMB30FA</p> <ul style="list-style-type: none"> • Swivel bracket with tilt and pan movement for precise adjustment • 30 mm mounting hole • 12-ga. 304 stainless steel • Easy sensor mounting to extrude rail T-slot 	

LMB Sealed Right-Angle Bracket

Model	Description	Construction	
LMB30RA	<p>Direct-Mount Models: Bracket kit with base, 30 mm adapter, set screw, fasteners, o-rings and gaskets</p>	Black polycarbonate	
LMB30RAC		Gray polycarbonate	
LMBE12RA	<p>Pipe-Mount Models: Bracket kit with base, 1/2-14 pipe adapter, set screw, fasteners, o-rings and gaskets. For use with stand-off pipe (listed and sold separately)</p>	Black polycarbonate	
LMBE12RAC		Gray polycarbonate	

Elevated Mount System

Model			Features	Components
SA-M30E12			<ul style="list-style-type: none"> Streamlined black acetal stand-off pipe adapter/cover Connects between 30 mm light base and ½" NPSM/DN15 pipe Mounting hardware included 	
Polished 304 Stainless Steel	Black Anodized Aluminum	Clear Anodized Aluminum	<ul style="list-style-type: none"> Elevated-use stand-off pipe (½" NPSM/DN15) Polished 304 stainless steel, black anodized aluminum, or clear anodized aluminum surface ½ NPT thread at both ends Compatible with most industrial environments 	
SOP-E12-150SS 150 mm (6") long	SOP-E12-150A 150 mm (6") long	SOP-E12-150AC 150 mm (6") long		
SOP-E12-300SS 300 mm (12") long	SOP-E12-300A 300 mm (12") long	SOP-E12-300AC 300 mm (12") long		
SOP-E12-900SS 900 mm (36") long	SOP-E12-900A 900 mm (36") long	SOP-E12-900AC 900 mm (36") long		
SA-E12M30			<ul style="list-style-type: none"> Streamlined black acetal mounting base adapter/cover Connects between ½" NPSM/DN15 pipe and 30 mm (1-3/16") drilled hole Mounting hardware included 	

Banner Engineering Corp Limited Warranty

Banner Engineering Corp. warrants its products to be free from defects in material and workmanship for one year following the date of shipment. Banner Engineering Corp. will repair or replace, free of charge, any product of its manufacture which, at the time it is returned to the factory, is found to have been defective during the warranty period. This warranty does not cover damage or liability for misuse, abuse, or the improper application or installation of the Banner product.

THIS LIMITED WARRANTY IS EXCLUSIVE AND IN LIEU OF ALL OTHER WARRANTIES WHETHER EXPRESS OR IMPLIED (INCLUDING, WITHOUT LIMITATION, ANY WARRANTY OF MERCHANTABILITY OR FITNESS FOR A PARTICULAR PURPOSE), AND WHETHER ARISING UNDER COURSE OF PERFORMANCE, COURSE OF DEALING OR TRADE USAGE.

This Warranty is exclusive and limited to repair or, at the discretion of Banner Engineering Corp., replacement. **IN NO EVENT SHALL BANNER ENGINEERING CORP. BE LIABLE TO BUYER OR ANY OTHER PERSON OR ENTITY FOR ANY EXTRA COSTS, EXPENSES, LOSSES, LOSS OF PROFITS, OR ANY INCIDENTAL, CONSEQUENTIAL OR SPECIAL DAMAGES RESULTING FROM ANY PRODUCT DEFECT OR FROM THE USE OR INABILITY TO USE THE PRODUCT, WHETHER ARISING IN CONTRACT OR WARRANTY, STATUTE, TORT, STRICT LIABILITY, NEGLIGENCE, OR OTHERWISE.**

Banner Engineering Corp. reserves the right to change, modify or improve the design of the product without assuming any obligations or liabilities relating to any product previously manufactured by Banner Engineering Corp.