



EZ-LIGHT™ Indicators – 5-Color, Multi-Function

DC-operated indicators with 5 colors and multiple flashing frequencies



Contact Factory for more information.

Features

- Rugged, cost-effective and easy-to-install indicators available in K50, K50 Flat Pack, or K80 housing style
- Displays 5 colors and multiple flashing frequencies: Steady ON, flashing or alternating
- Illuminated dome provides easy-to-see operator guidance and indication of equipment status
- Compact devices are completely self-contained — no controller needed
- Choose NPN or PNP input, depending on model
- Immune to ambient light, EMI and RFI interference
- 18 to 30V dc operation

Models

Model	Construction	Connection*	LED Function**	Inputs
K50LGRYBWPQ8	50 mm dome/ 30 mm mount polycarbonate	8-pin Euro QD	5 Color: Choose Green, Red, Yellow, Blue or White ON, flashing or alternating	PNP
K50LGRYBWNQ8				NPN
K50FLGRYBWPQ8	50 mm polycarbonate dome/ polycarbonate base			PNP
K50FLGRYBWNQ8				NPN
K80LGRYBWPQ8	50 mm dome/ Flat or DIN-mount polycarbonate			PNP
K80LGRYBWNQ8				NPN

* **K50L and K50FL Models:** Integral QD models are listed. For 150 mm PVC pigtail with QD, replace **Q** with **QP** in model number (example, **K50LGRYBWPQP8**). For 2 m (6.5') cable, omit suffix **Q** from model number (example, **K50LGRYBWP**). A model with a QD requires a mating cable (see page5)
K80L Models: For terminal-wired models, omit suffix **Q** from model number (example, **K80LGRYBWP**).

** Contact factory for other colors and color combinations.

WARNING . . . Not To Be Used for Personnel Protection


Never use these products as sensing devices for personnel protection. Doing so could lead to serious injury or death.

These sensors do NOT include the self-checking redundant circuitry necessary to allow their use in personnel safety applications. A sensor failure or malfunction can cause either an energized or de-energized sensor output condition. Consult your current Banner Safety Products catalog for safety products which meet OSHA, ANSI and IEC standards for personnel protection.

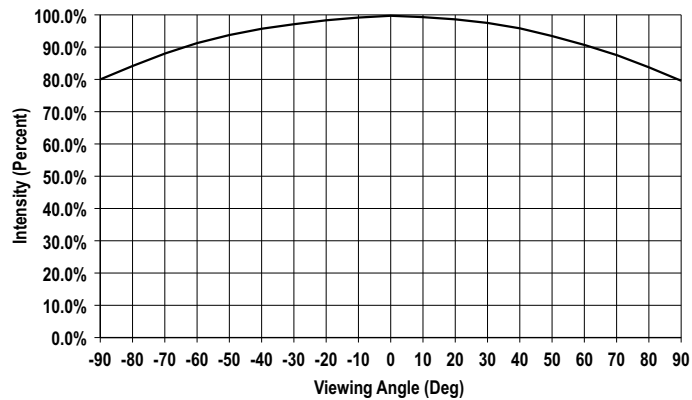


EZ-LIGHT™ Indicators - 5-Color, Multi-Function

Specifications

Supply Voltage and Current	18 to 30V dc @ 50 mA max.
Indicators	LEDs are independently selected: Green, Red, Yellow, Blue or White, ON steady or flashing, alternating or rotating
Input Response Time	Indicator ON: 250 ms (max.); Indicator OFF: 10 ms (max.)
Indicator Flash Rate	1-Color: 1 second flash rate (500 ms ON) 2, 3 and 5-Color Flash: 500 ms per color
Environmental Rating	K50L and K50FL Models: Fully encapsulated, IEC IP67 K80L Models: IEC IP67 (encapsulated electronics)
Connections	Integral 8-pin Euro-style QD, 150 mm PVC pigtail with QD, or 2 m (6.5') integral cable, depending on model K80L Models: Terminal-wired models for use with bulk cable available
Operating Conditions	-40° to +50° C (-40° to +122° F)
Certifications	

Percent of Maximum Intensity vs Viewing Angle



EZ-LIGHT™ Indicators - 5-Color, Multi-Function

Hookups

Function	PNP Hookup	NPN Hookup	Wiring Diagram
Green steady			<p>PNP</p> <p>NPN</p> <p>Indicator Color</p> <ul style="list-style-type: none"> ● G ● R ● Y ● B W <p>Wiring Key: 1 = White 2 = Brown (not used) 3 = Green 4 = Yellow 5 = Gray (not used) 6 = Pink 7 = Blue 8 = Red</p>
Green flashes			
Red steady			
Red flashes			
Yellow steady			
Yellow flashes			
Blue steady			
Blue flashes			
White steady			
White flashes			
Green, Red flash cycle			
Green, Yellow flash cycle			
Green, Blue flash cycle			
Green, White flash cycle			
Red, Yellow flash cycle			
Red, Blue flash cycle			
Red, White flash cycle			

EZ-LIGHT™ Indicators - 5-Color, Multi-Function

Hookups (continued)

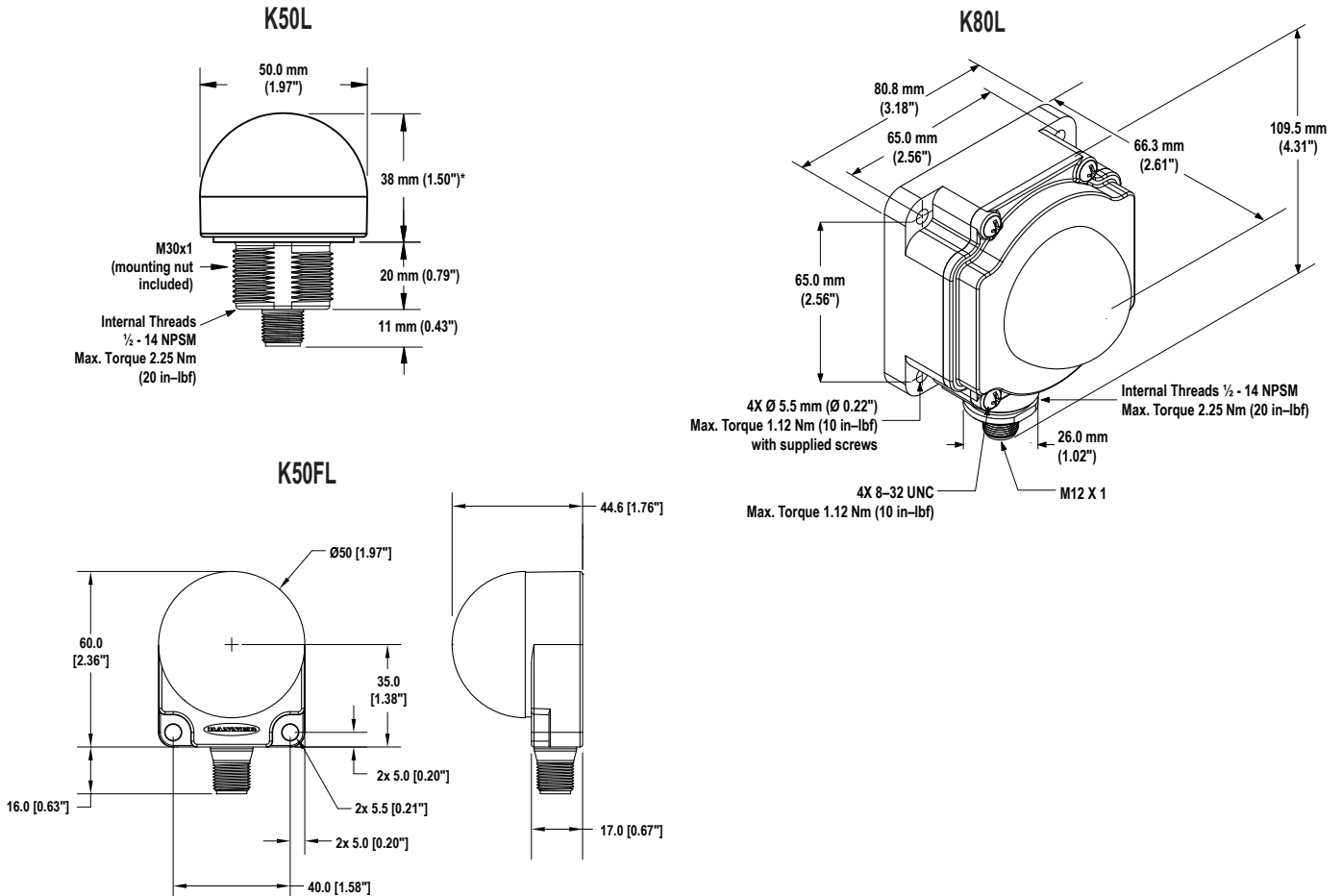
Function	PNP Hookup	NPN Hookup	Wiring Diagram
Yellow, Blue flash cycle			
Yellow, White flash cycle			
Blue, White flash cycle			
Green, Red, Yellow flash cycle			
Green, Red, Blue flash cycle			
Green, Red, White flash cycle			
Green, Yellow, Blue flash cycle			
Green, Yellow, White flash cycle			
Green, Blue, White flash cycle			
Red, Yellow, Blue flash cycle			
Red, Yellow, White flash cycle			

EZ-LIGHT™ Indicators - 5-Color, Multi-Function

Hookups (continued)

Function	PNP Hookup	NPN Hookup	Wiring Diagram
Red, Blue, White flash cycle			
Yellow, Blue, White flash cycle			
Green, Red, Yellow, Blue, White flash cycle			

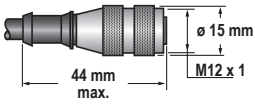
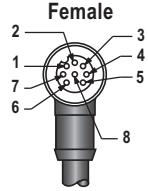
Dimensions



EZ-LIGHT™ Indicators - 5-Color, Multi-Function





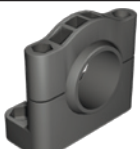


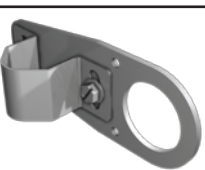

Accessories

Quick-Disconnect (QD) Cables

Style	Model	Length	Dimensions	Pinout
8-Pin Euro-Style Cables with Open- Shield	MQDC2S-806 MQDC2S-815 MQDC2S-830	2 m (6.5') 5 m (15') 9 m (30')		<p>Female</p>  <p>1 = White 5 = Gray 2 = Brown 6 = Pink 3 = Green 7 = Blue 4 = Yellow 8 = Red</p>

EZ-LIGHT™ Indicators - 5-Color, Multi-Function

Mounting Brackets*

K80L		
	<ul style="list-style-type: none"> • Black reinforced thermoplastic • Bracket for mounting on 35 mm DIN rail 	SMBDX80DIN
K50L		
	<ul style="list-style-type: none"> • 12-ga. stainless steel right-angle mounting bracket with curved slot for versatile orientation • Clearance for M6 (1/4") hardware 	SMB30A
	<ul style="list-style-type: none"> • 30 mm 12-ga. stainless steel bracket with curved mounting slots for versatile orientation • Clearance for M6 (1/4") hardware • Articulation slots for 90°+ rotation 	SMB30MM
	<ul style="list-style-type: none"> • 12-ga. 300 series stainless steel • Right-angle SMBAMS series bracket with 30 mm hole for mounting sensors • Articulation slots for 90°+ rotation 	SMBAMS30RA
	<ul style="list-style-type: none"> • 30 mm swivel bracket • Black reinforced thermoplastic polyester • Includes stainless steel mounting and swivel locking hardware 	SMB30SC
	<ul style="list-style-type: none"> • 12-ga. 300 series stainless steel • Right-angle bracket with 30 mm hole for mounting sensors • Attachment clamp allows 360° rotation • Threaded rod through-mounts to mounting surface 	SMB30FA
	<ul style="list-style-type: none"> • 12-ga. 300 series stainless steel • Flat SMBAMS series bracket with 30 mm hole for mounting sensors • Articulation slots for 90°+ rotation 	SMBAMS30P
	<ul style="list-style-type: none"> • V-clamp, straight bracket and fasteners for mounting sensors to pipe or extrusions • Clamp accommodates 28 mm dia. tubing or 1" square extrusions • 30 mm hole for mounting sensors 	SMB30FVK
	<ul style="list-style-type: none"> • V-clamp, right-angle bracket and fasteners for mounting sensors to pipe or extrusions • Clamp accommodates 28 mm dia. tubing or 1" square extrusions • 30 mm hole for mounting sensors 	SMB30RAVK

* K50FL models include a 48 mm (1.9") circular velcro mounting kit for easy mounting with no additional hardware

EZ-LIGHT™ Indicators - 5-Color, Multi-Function



WARRANTY: Banner Engineering Corp. warrants its products to be free from defects for one year. Banner Engineering Corp. will repair or replace, free of charge, any product of its manufacture found to be defective at the time it is returned to the factory during the warranty period. This warranty does not cover damage or liability for the improper application of Banner products. This warranty is in lieu of any other warranty either expressed or implied.