

## For Use with IP50 Linear Array Lights

### Models

Model	For Use With Linear Array Models
LEDLAPFK145	LED_LA145X..
LEDLAPFK290	LED_LA290X..
LEDLAPFK435	LED_LA435X..
LEDLAPFK580	LED_LA580X..
LEDLAPFK870	LED_LA870X..
LEDLAPFK1160	LED_LA1160X..

### Installing the Polarizer Filter

1. Clean the Linear Array window thoroughly with glass cleaner and a lint free cloth.
2. Check for any remaining dust on the window surface.
3. Peel away just the first 2-3 inches of the clear backing from one end of the polarizer filter. Fold the peeled backing material back onto itself.
4. Position the filter over the Linear Array window (clear backing side down) without allowing the exposed adhesive to contact the window surface.
5. Carefully align the end of the filter that still has the backing in place, then press the end with the exposed adhesive down onto the window surface to lock the filter in place.
6. Lift up the other end of the filter, then grasp the end of the clear backing underneath and slowly pull it along the length of the window.
7. Press down the filter (by sliding a finger along the top) as the adhesive becomes exposed underneath. Continue peeling and pressing until the backing is fully removed.
8. Use fingers to thoroughly press down on the filter over the entire surface to fully set the adhesive, pressing from the center to the edges to smooth out any trapped air bubbles.
9. Peel off the white paper backing and then the clear plastic film on the top surface.

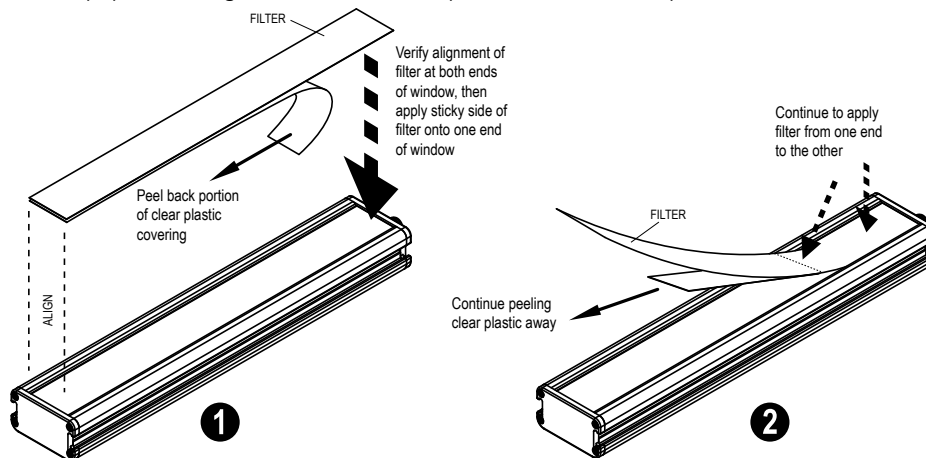


Figure 1. Installing the polarizer filter



**NOTE:** Careful application of the filter will avoid trapped air bubbles but if they do occur they will not compromise the light quality or the polarizer function.



## Contact Us

---

For more information: Contact your local Banner representative or Banner Corporate Offices around the world.

Corporate Headquarters: Banner Engineering Corp. 9714 Tenth Ave. North, Minneapolis, MN 55441, Tel: 763-544-3164, [www.bannerengineering.com](http://www.bannerengineering.com), [sensors@bannerengineering.com](mailto:sensors@bannerengineering.com)

Europe:

Banner Engineering Europe Park Lane, Culliganlaan 2F, Diegem B-1831 BELGIUM, Tel: 32-(0)2 456 07 80, Fax: 32-2 456 07 89, [www.bannereurope.com](http://www.bannereurope.com), [mail@bannereurope.com](mailto:mail@bannereurope.com)

Banner Engineering Turkey Barbaros Mah. UpHill Court Towers A Blok D:49 Batı Atasehir - Istanbul TURKEY, Tel: +90 216 688 8282, Fax: +90 216 688 8181, [www.bannerengineering.com.tr](http://www.bannerengineering.com.tr)

Latin America: Contact Banner Engineering Corp. (US) or

Banner Engineering de Mexico: Edificio VAO, Av. David Alfaro Siqueiros No.103, Col. Valle Oriente C.P. 66269, San Pedro Garza Garcia, Nuevo Leon, Tel: +52 81 8363 2714, [www.bannerengineering.com.mx](http://www.bannerengineering.com.mx); [mexico@bannerengineering.com](mailto:mexico@bannerengineering.com)

Brazil: [www.bannerengineering.com.br](http://www.bannerengineering.com.br); [brasil@bannerengineering.com](mailto:brasil@bannerengineering.com)

Asia:

Banner Engineering China Shanghai Rep Office Xinlian Scientific Research Building, Level 12, Building 2, 1535 Hongmei Road, Shanghai 200030 CHINA, Tel: 86-21-33986888, Fax: 86-21-33986999, [www.bannerengineering.com.cn](http://www.bannerengineering.com.cn), [sensors@bannerengineering.com.cn](mailto:sensors@bannerengineering.com.cn)

Banner Engineering India Pune Head Quarters Office, No. 1001 Sai Capital, Opp. ICC Senapati Bapat Road, Pune 411016 INDIA, Tel: 91-(0)20-66405624, Fax: 91-(0)20-66405623, [www.bannerengineering.co.in](http://www.bannerengineering.co.in), [salesindia@bannerengineering.com](mailto:salesindia@bannerengineering.com)

Banner Engineering Japan Cent-Urban Building 305 3-23-15, Nishi-Nakajima Yodogawa-Ku, Osaka 532-0011 JAPAN, Tel: 81-(0)6-6309-0411, Fax: 81-6-6309-0416, [www.bannerengineering.co.jp](http://www.bannerengineering.co.jp), [mail@bannerengineering.co.jp](mailto:mail@bannerengineering.co.jp)

Banner Engineering Korea 8th Fl., CM Bldg, 32-7, Songpa-Dong Songpa-Gu, Seoul, REPUBLIC OF KOREA 138-849, Tel: +82 (0)2 417 0285 Fax: +82 (0)2 413 0285, [www.bannerengineering.co.kr](http://www.bannerengineering.co.kr); [info@bannerengineering.com.kr](mailto:info@bannerengineering.com.kr)

Banner Engineering Taiwan Office 8F-2, No. 308, Sec. 1, Neihu Rd. Taipei, TAIWAN 114 Tel: +886 (0)2 8751 9966, Fax: +886 2 8751 2966, [www.bannerengineering.com.tw](http://www.bannerengineering.com.tw), [info@bannerengineering.com.tw](mailto:info@bannerengineering.com.tw)