



SMBARP Series Andon Rope Pull Bracket

Robust mechanical brackets for use in visual management systems for individual and team interaction with the manufacturing process

Features



- Common bracket solution for both: vertical rope pulls - typically on assembly lines and horizontal rope pulls - typically on operator stations and lean cells
- Bracket uses standard K50 device for self contained light and switch functions
- K50 color and function available with various options
- K50 models with high visibility LEDs suitable for factory lighting conditions
- Uses include: ANDON for Temporary Line Stop, Maintenance Call, or Material Call
- Flexible mounting options, including mounting to uni-strut
- Remote actuation types also available

Models

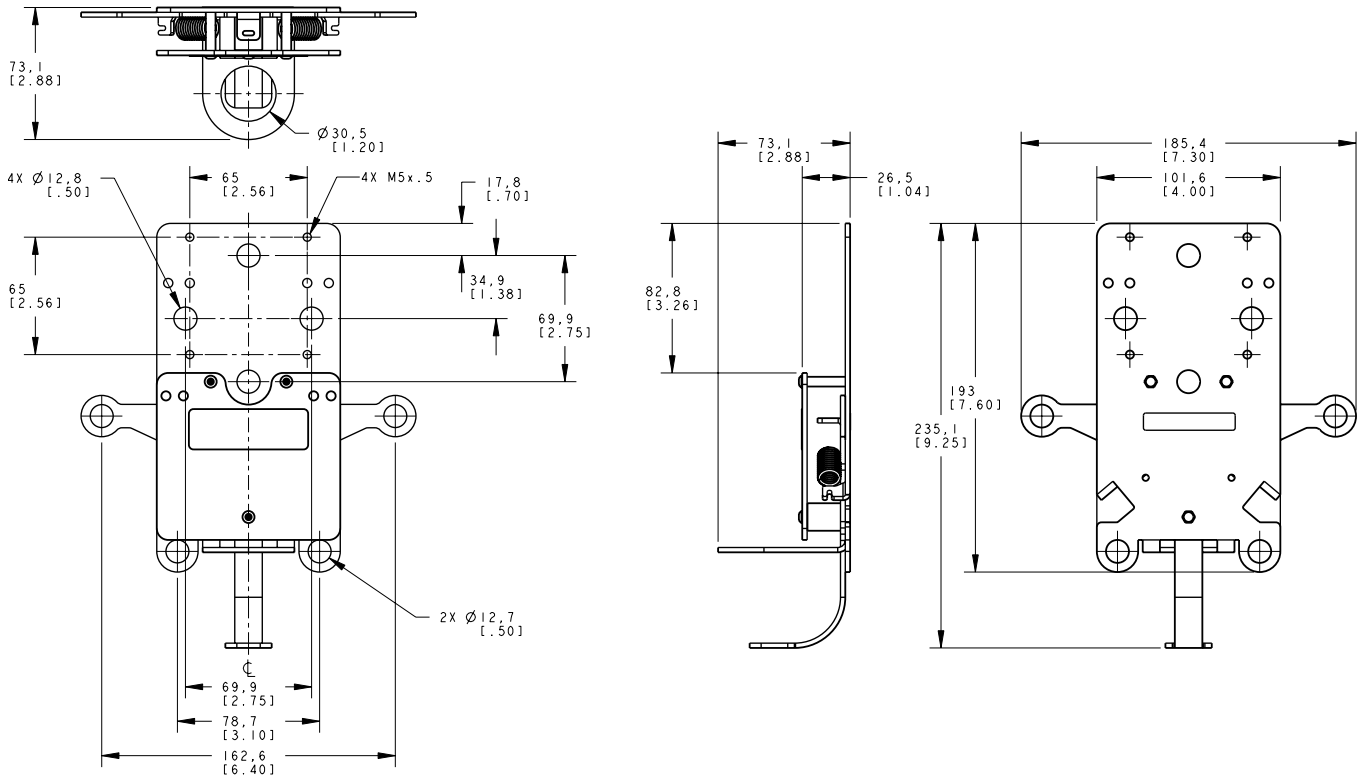
Model	Pull Direction	Supply Voltage	Output Type	EZ-LIGHT Colors
SMBARPL30	Left Side	Specify when ordering the K50 EZ Light with optical fixed field sensor: Typical model number: K50APFF50GRCQP		
SMBARPR30	Right Side			
SMBARPB30	Both Sides (pictured)			

Specifications



Feature	Description
Construction Materials	carbon steel with clear zinc plating
Typical Actuation Force	< 10 lbf (< 44.5 N)
Required Movement of Lever	> 12 degree of rotation






Dimensions



Accessories

Models		Package Qty.	Description
Wire Rope 	RPA-C1-10	10 m	2 mm steel wire rope with 0.5 mm red PVC jacket (unterminated)
	RPA-C1-20	20 m	
	RPA-C1-100	100 m	
Thimbles 	RPA-T1-4	4 pcs	Thimble for 2 mm wire rope
Clamps	RPA-CC1-4	4 pcs	Clamp for 2 mm wire rope

SMBARP Series Andon Rope Pull Bracket

Models		Package Qty.	Description
			
Turnbuckles	RPA-TA1-1	1 pc	#4 Turnbuckle
			
Eye Bolts	RPA-EB1-1	1 pc	1/4" - 20 Eye bolt (3" bolt shaft)
			
Pulleys	RPA-P1-1	1 pc	Hanging pulley for in-line use



WARNING . . . Not To Be Used for Personnel Protection

Never use this product as a sensing device for personnel protection. Doing so could lead to serious injury or death

This product does NOT include the self-checking redundant circuitry necessary to allow its use in personnel safety applications. A sensor failure or malfunction can cause either an energized or deenergized sensor output condition. Consult your Banner Safety Products catalog for safety products that meet OSHA, ANSI and IEC standards for personnel protection.