

LED Series Sealed Backlights

For use with any Vision system



- Rugged, waterproof housing, rated IEC IP67
- Mounts directly from the back or surface mount using available brackets
- Smooth exterior for easy cleaning
- Diffused backlights for any Vision system. See Banner's web site (www.bannerengineering.com) for a complete lighting tutorial
- Continuous or strobed operation is selectable via sensor software.
- Solid-state LED matrix, in four sizes
- Available in four visible colors plus infrared
- Extremely bright light
- Completely non-corrosive
- Extremely even intensity edge-to-edge
- M12 connector

Models

Models	LED Color	Wavelength	Lighted Area
LEDIB75X150PW2-XQ	Infrared	850 nm	75 x 150 mm (2.95" x 5.91")
LEDRB75X150PW2-XQ	Visible Red	633 nm	
LEDBB75X150PW2-XQ	Blue	469 nm	
LEDGB75X150PW2-XQ	Green	525 nm	
LEDWB75X150PW2-XQ	White	6500 k	
LEDIB150X150PW2-XQ	Infrared	850 nm	150 x 150 mm (5.91" x 5.91")
LEDRB150X150PW2-XQ	Visible Red	633 nm	
LEDBB150X150PW2-XQ	Blue	469 nm	
LEDGB150X150PW2-XQ	Green	525 nm	
LEDWB150X150PW2-XQ	White	6500 k	
LEDIB225X150PW2-XQ	Infrared	850 nm	225 x 150 mm (8.86" x 5.91")
LEDRB225X150PW2-XQ	Visible Red	633 nm	
LEDBB225X150PW2-XQ	Blue	469 nm	
LEDGB225X150PW2-XQ	Green	525 nm	
LEDWB225X150PW2-XQ	White	6500 k	
LEDIB300X150PW2-XQ	Infrared	850 nm	300 x 150 mm (11.81" x 5.91")
LEDRB300X150PW2-XQ	Visible Red	633 nm	
LEDBB300X150PW2-XQ	Blue	469 nm	
LEDGB300X150PW2-XQ	Green	525 nm	
LEDWB300X150PW2-XQ	White	6500 k	

Specifications

Light Source

LED; wavelengths:

LED Color	Wavelength
Infrared	850 nm
Visible Red	633 nm
Blue	469 nm
Green	525 nm
White	6500 k

Supply Voltage and Current

75x150 mm models: 24V dc \pm 10% @ 550 mA max.

150x150 mm models: 24V dc \pm 10% @ 1.1 A max.

225x150 mm models: 24V dc \pm 10% @ 1.65 A max.

300x150 mm models: 24V dc \pm 10% @ 2.2 A max.

Connections

5-pin Euro style (MIL) M12 male connector; accessory cable required for operation

Operating Conditions

Temperature: 0° to +50°C (+32° to 122°F)

Relative Humidity: 95% max relative, non-condensing

Illumination

Diffused for use in applications needing a backlit light source

Useful Life

B50/L50 Lifetime > 100,000 hours (Infrared, Red)

B50/L50 Lifetime > 90,000 hours (Blue, Green, White)

Construction

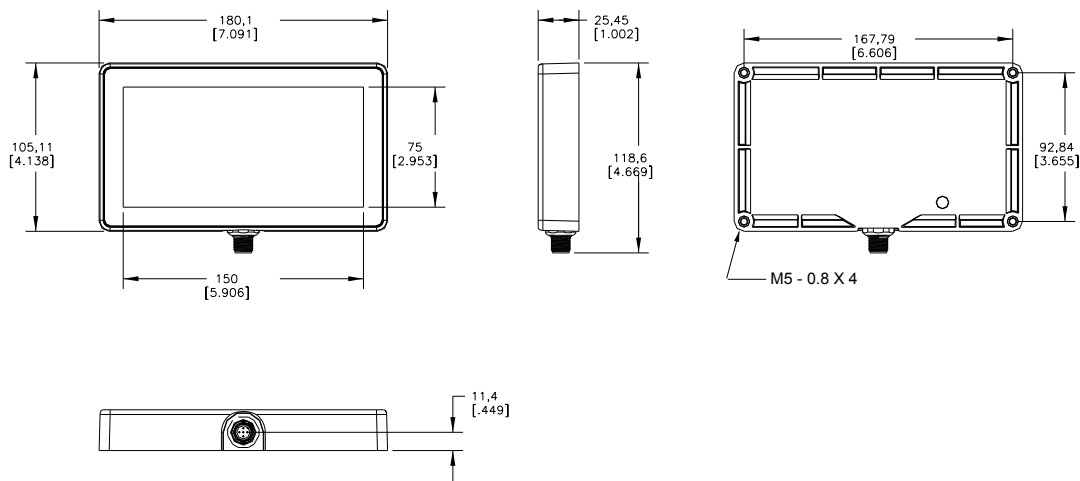
Black Valox™ housing; acrylic window

Environmental Rating

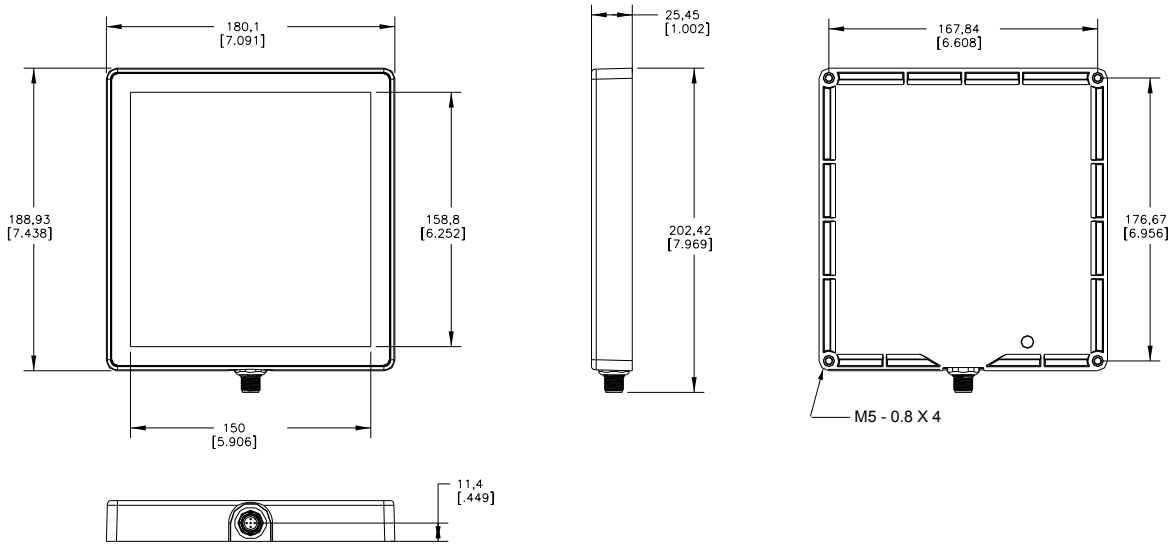
IEC IP67

Dimensions

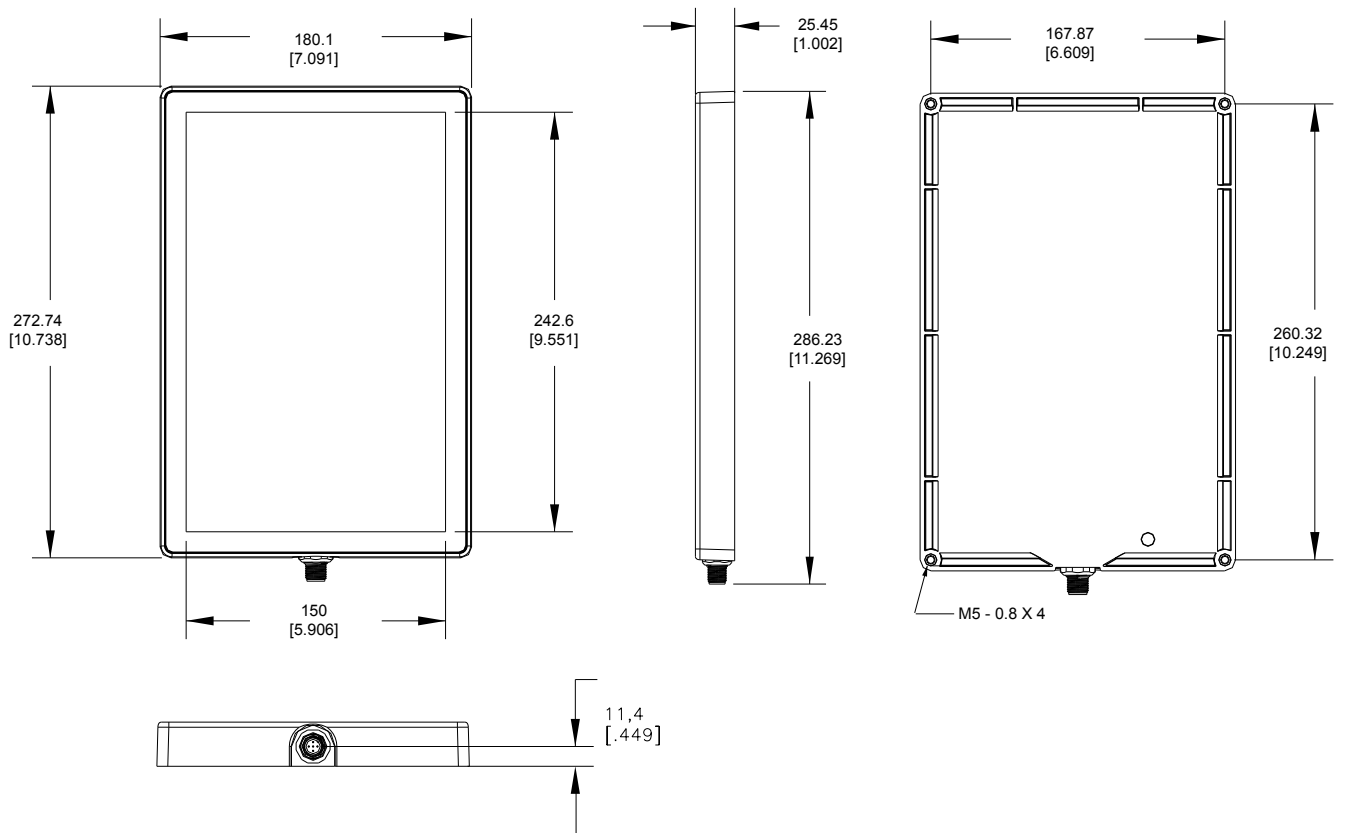
LED Series Sealed Backlights



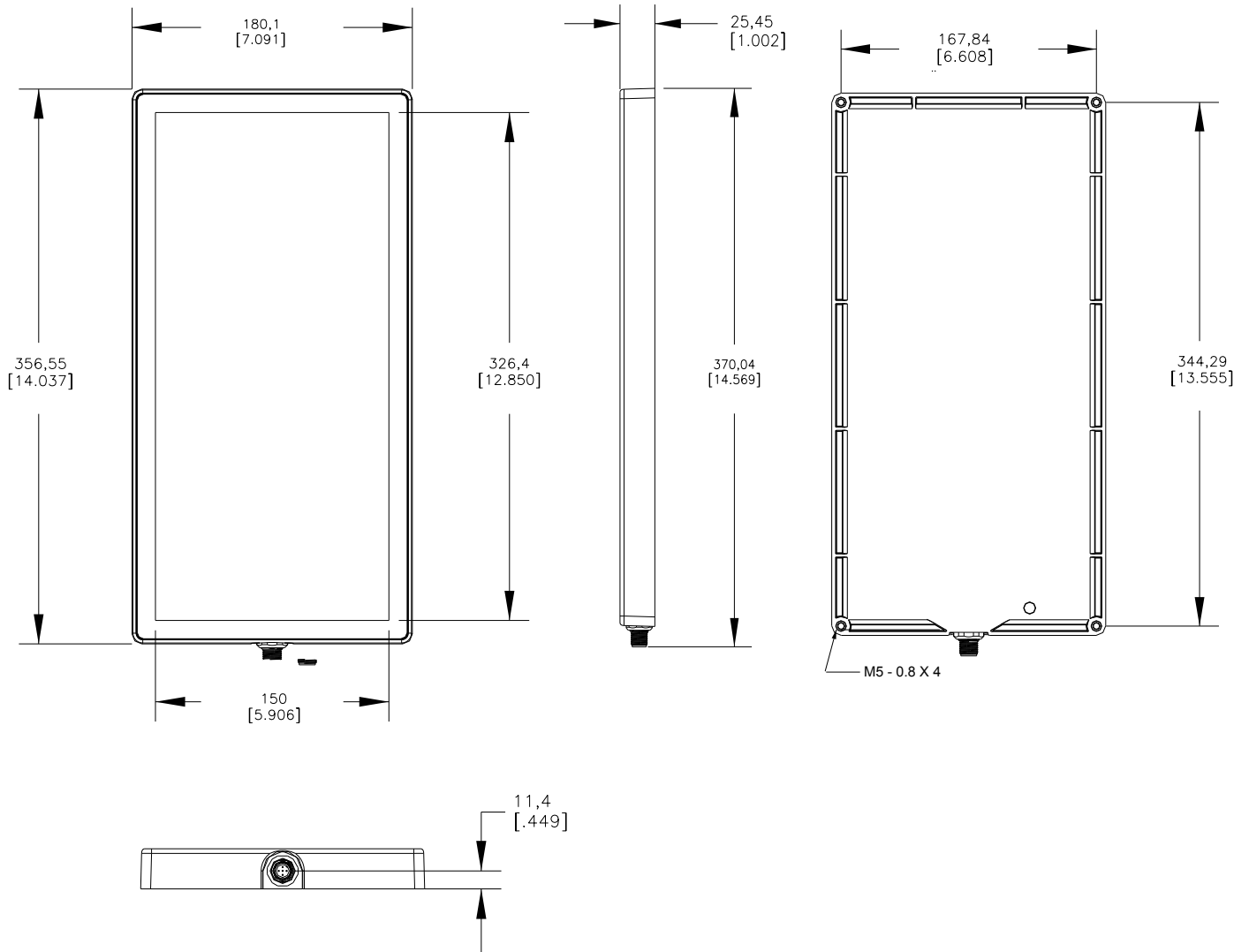
LED Series Sealed Backlights



LED Series Sealed Backlights



LED Series Sealed Backlights



Wiring Table

Wire Purpose	Cable Wire Color*	Continuous On Mode	Strobed Mode	PresencePlus Pro Controller Terminal Block
Power Wires	Brown (1)	+24V dc	+24V dc	Pin 01 **
	Blue (3)	common	common	Pin 02
Strobe Polarity Control	Gray (5)	open	Active Low: open	Open — Active Low
			Active High: connect to common (Blue wire)	Pin 02 — Active High
Strobe Voltage Wires	White (2)	open	0V dc = ON (Active Low) +5 to 24V dc = OFF (Active Low)	Pin 04
			0V dc = OFF (Active High) +5 to 24V dc = ON (Active High)	
	Black (4)	open	Strobe common	Pin 02

Figure 1. Pinouts for Mating Cable


* For Banner-supplied wire.

** When connecting the light to a PresencePLUS Pro controller terminal block, the controller supply must be 24V dc \pm 10%.

Cordsets

For use with nickel-plated aluminum housing:	For use with stainless steel housing:
<p>5-Pin Quick-Disconnect (QD) Cordsets</p> <p>5-wire cable, straight female Euro-style (M12) connector (nickel-plated brass coupling nut) at one end, with flying leads at opposite end.</p> <p>MQDC20-506, 2 m (6.5 ft)</p> <p>MQDC20-515, 5 m (15 ft)</p> <p>MQDC20-530, 9 m (30 ft)</p>	<p>5-Pin Quick-Disconnect (QD) Cordsets</p> <p>5-wire cable, straight female Euro-style (M12) connector (stainless steel coupling nut) at one end, with flying leads at opposite end.</p> <p>MQDC20SS-506, 2 m (6.5 ft)</p> <p>MQDC20SS-515, 5 m (15 ft)</p> <p>MQDC20SS-530, 9 m (30 ft)</p>

Accessory Brackets

Part Number	Description	Bracket
SMBBSSM	All brackets and hardware are 100% 316 stainless steel	 <p data-bbox="748 579 834 604">Includes:</p> <ul data-bbox="769 625 1360 684" style="list-style-type: none"> <li data-bbox="769 625 883 651">• 2 Brackets <li data-bbox="769 659 1360 684">• 4 M5 - 0.8 stainless steel screws (socket drive, button head)

Banner Engineering Corp Limited Warranty

Banner Engineering Corp. warrants its products to be free from defects in material and workmanship for one year following the date of shipment. Banner Engineering Corp. will repair or replace, free of charge, any product of its manufacture which, at the time it is returned to the factory, is found to have been defective during the warranty period. This warranty does not cover damage or liability for misuse, abuse, or the improper application or installation of the Banner product.

THIS LIMITED WARRANTY IS EXCLUSIVE AND IN LIEU OF ALL OTHER WARRANTIES WHETHER EXPRESS OR IMPLIED (INCLUDING, WITHOUT LIMITATION, ANY WARRANTY OF MERCHANTABILITY OR FITNESS FOR A PARTICULAR PURPOSE), AND WHETHER ARISING UNDER COURSE OF PERFORMANCE, COURSE OF DEALING OR TRADE USAGE.

This Warranty is exclusive and limited to repair or, at the discretion of Banner Engineering Corp., replacement. **IN NO EVENT SHALL BANNER ENGINEERING CORP. BE LIABLE TO BUYER OR ANY OTHER PERSON OR ENTITY FOR ANY EXTRA COSTS, EXPENSES, LOSSES, LOSS OF PROFITS, OR ANY INCIDENTAL, CONSEQUENTIAL OR SPECIAL DAMAGES RESULTING FROM ANY PRODUCT DEFECT OR FROM THE USE OR INABILITY TO USE THE PRODUCT, WHETHER ARISING IN CONTRACT OR WARRANTY, STATUTE, TORT, STRICT LIABILITY, NEGLIGENCE, OR OTHERWISE.**

Banner Engineering Corp. reserves the right to change, modify or improve the design of the product without assuming any obligations or liabilities relating to any product previously manufactured by Banner Engineering Corp.