

Models PPSIM.. Sensor Interface Modules

DC-Powered Interface for PresencePLUS[®] P4 Sensors



Model PPSIM..T
(Terminal strip connection)



Model PPSIM..C
(DB-15 connection)

Features

- Low-cost interface between user's hardware and PresencePLUS P4 sensors
- Available with two methods for connecting to sensor, depending on model:
 - 13-pin terminal strip for cordset with flying leads
 - DB-15 connector for model P4C..SIM cordsets (see Cables on page 4)
- Available in current sinking (NPN) or current sourcing (PNP) output models
- LED indicators for sensor status and active outputs
- Integral External Trigger and Remote TEACH push buttons
- Easy-to-adjust 45° screw terminals for electrical wiring
- Built-in RS-232 serial port connector (DB-9, Female)
- Simple DIN-rail-mount or wall-mount configuration

Models

Models	Output*	Connections
PPSIM-NT	Current Sinking (NPN)	Two 13-pin Terminals
PPSIM-NC		One 13-pin Terminal One DB-15 Connector
PPSIM-PT	Current Sourcing (PNP)	Two 13-pin Terminals
PPSIM-PC		One 13-pin Terminal One DB-15 Connector

*NOTE: P4 Sensor output must be set to NPN mode when used with an NPN interface module. P4 Sensor output must be set to PNP mode when used with a PNP interface module. See the System Setup window in the PresencePLUS GUI for output selections.

Overview

The PPSIM.. series sensor interface module is a passive DIN-rail-mount or wall-mount module. It enables remote external trigger and TEACH capability and provides remote indication of sensor status for Banner PresencePLUS P4 Sensors.

Models PPSIM.. Sensor Interface Modules

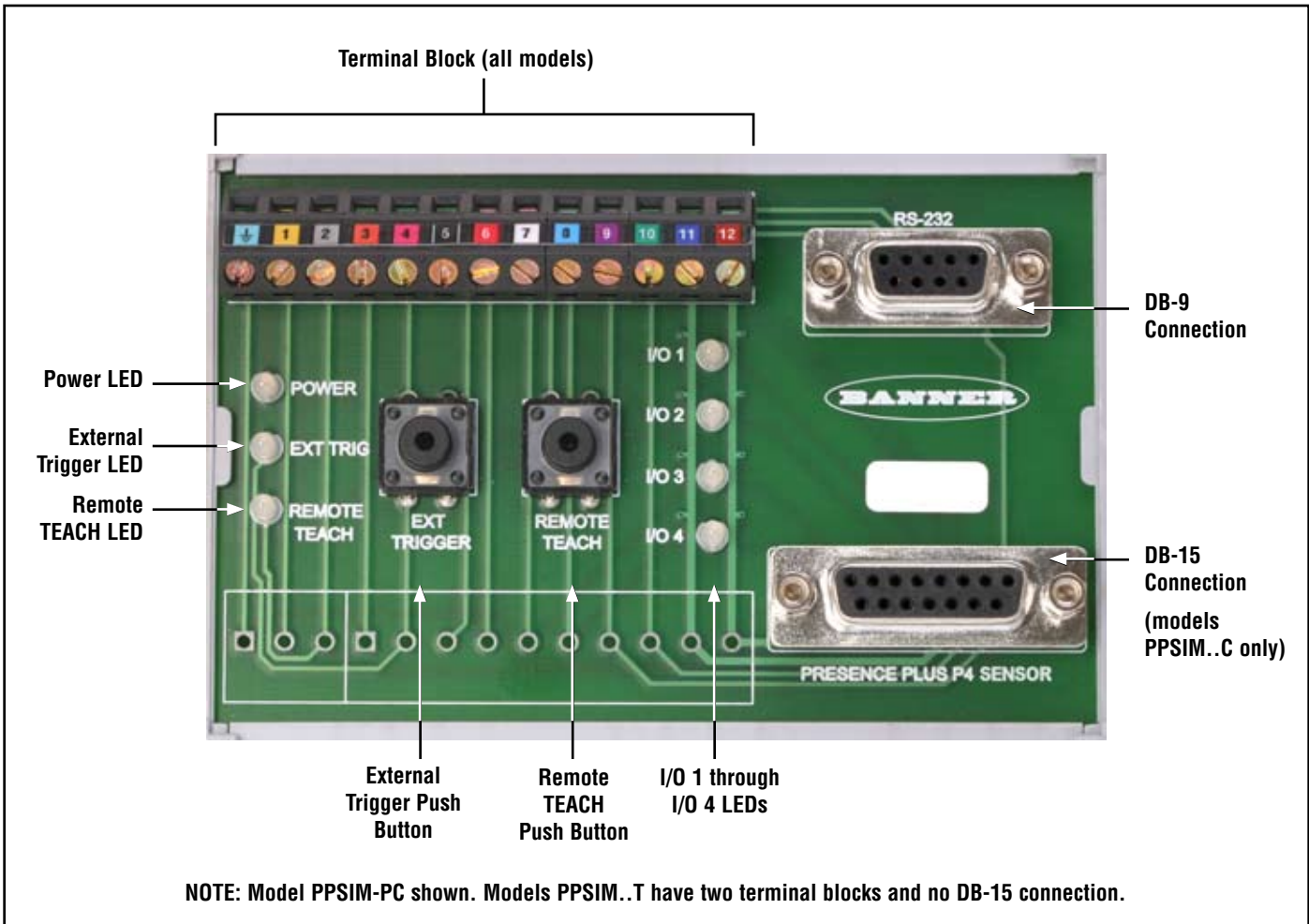


Figure 1. Features

Installation

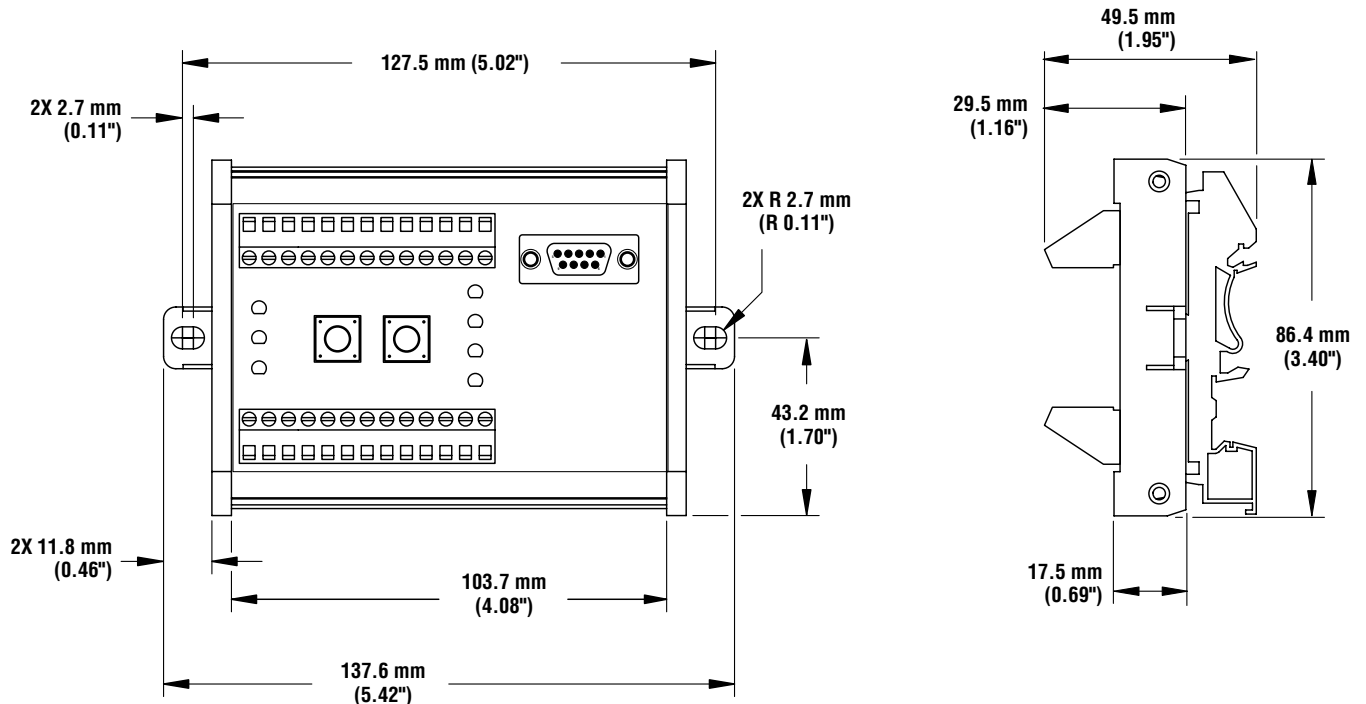
For mounting to a flat surface, unscrew one end cap, slide the DIN clips off of the housing, and replace the end cap. Use the screw-holes in the end caps for mounting to a flat surface.

Models PPSIM.. Sensor Interface Modules

Specifications

Input Supply Voltage	10 - 30V dc (See <i>PresencePLUS P4</i> specifications for sensor data)	
Adjustments	External Trigger push button Remote TEACH push button	
Indicator LEDs	NPN Models	PNP Models
	Power Green: Power ON Red: Wrong polarity External Trigger Green: Active Remote TEACH Green: Active I/O 1 through I/O 4 Green: Conducting	Power Green: Power ON Red: Wrong polarity External Trigger Red: Active Remote TEACH Red: Active I/O 1 through I/O 4 Red: Conducting
Construction	PCB circuit board; plastic housing, end caps, and DIN rail mounting hardware	
Environmental Rating	IEC IP00; NEMA 1	
Connections	Terminal Strip: Accepts 12 to 24 gauge wire RS-232: DB-9 female PresencePLUS P4 Sensor (not included): DB-15 female, for SIM cordset (see Cables on page 4)	
Operating Conditions	Temperature: 0° to +50° C (+32° to +122° F) Max. Relative Humidity: 90% (non-condensing)	
Weight	Approximately 135 grams (0.3 lb.)	

Dimensions



Models PPSIM.. Sensor Interface Modules

Terminal Block Wiring Table

The Terminal Block Wiring Table below is the same for all models.

Pin	Color	Description
1	Yellow	RS-232 TX
2	Gray	Remote TEACH
3	Orange	Product Change
4	Pink	External Trigger
5	Black	I/O 1
6	Red	I/O 2
7	White	I/O 3
8	Light blue	I/O 4
9	Violet	RS-232 RX
10	Green	RS-232 (Signal Ground)
11	Blue	Common (Signal Ground)
12	Brown	10-30V dc
13	Shield	Drain

Accessories

Cables (for use with PPSIM..C models)

Style	Model	Length
<i>PresencePLUS P4 DB-15 SIM</i>	P4C06SIM	2 m (6.5')
	P4C23SIM	7 m (23')
	P4C32SIM	10 m (32')



WARRANTY: Banner Engineering Corp. warrants its products to be free from defects for one year. Banner Engineering Corp. will repair or replace, free of charge, any product of its manufacture found to be defective at the time it is returned to the factory during the warranty period. This warranty does not cover damage or liability for the improper application of Banner products. This warranty is in lieu of any other warranty either expressed or implied.