

SSA-EB Series Emergency Stop Buttons



Datasheet



Figure 1. SSA-EBM-xxE Series with Enclosure



Figure 2. SSA-EBP-xxE Series with Enclosure

- Push-to-stop, twist-to-release operation
- Rugged, modular design; easy assembly and installation
- Kits available for easy selection
- Choice of metal or plastic button base with or without enclosure; all kits include disc label with "Emergency Stop" legend
- Choice of normally closed (safety) or combination normally closed/normally open (non safety) contacts
- Latching design complies with ISO 13850; direct (positive) opening operation per IEC 60947-5-1

Models		Button Base Material	Contacts	Enclosure Included
SSA-EBM-02L		Metal	2 normally closed	No
SSA-EBM-11L			1 normally closed and 1 normally open	
SSA-EBM-12L			2 normally closed and 1 normally open	
SSA-EBP-02L		Plastic	2 normally closed	
SSA-EBP-11L			1 normally closed and 1 normally open	
SSA-EBP-12L			2 normally closed and 1 normally open	
SSA-EBM-02E		Metal	2 normally closed	Yes
SSA-EBM-11E			1 normally closed and 1 normally open	
SSA-EBM-12E			2 normally closed and 1 normally open	
SSA-EBP-02E		Plastic	2 normally closed	
SSA-EBP-11E			1 normally closed and 1 normally open	
SSA-EBP-12E			2 normally closed and 1 normally open	



WARNING: Not a Safeguarding Device

An Emergency Stop Device is not considered a safeguarding device because it requires an overt action by an individual to stop machine motion or hazards.

A safeguarding device limits or eliminates an individual's exposure to a hazard *without action by the individual or others*. Because an individual must actuate the device for it to function, these devices do not fit the definition of a safeguarding device and cannot be substituted for required safeguarding. Refer to the relevant standards to determine those requirements.



Important -- Read This First!

The user is responsible for satisfying all local, state, and national laws, rules, codes, and regulations relating to the use of this product and its application. Banner Engineering Corp. has made every effort to provide complete application, installation, operation, and maintenance instructions. Please direct any questions regarding the use or installation of this product to the factory applications department at the telephone numbers or address found at <http://www.bannerengineering.com>.

The user is responsible for making sure that all machine operators, maintenance personnel, electricians, and supervisors are thoroughly familiar with and understand all instructions regarding the installation, maintenance, and use of this product, and with the machinery it controls. The user and any personnel involved with the installation and use of this product must be thoroughly familiar with all applicable standards, some of which are listed within the specifications. Banner Engineering Corp. makes no claim regarding a specific recommendation of any organization, the accuracy or effectiveness of any information provided, or the appropriateness of the provided information for a specific application.

Applicable U.S. Standards	Applicable International Standards
ANSI B11 Standards for Machine Tools Safety Contact: Safety Director, AMT – The Association for Manufacturing Technology, 7901 Westpark Drive, McLean, VA 22102, Tel.: 703-893-2900	ISO 12100-1 & -2 (EN 292-1 & -2) Safety of Machinery – Basic Concepts, General Principles for Design IEC 60204-1 Electrical Equipment of Machines Part 1: General Requirements
ANSI NFPA 79 Electrical Standard for Industrial Machinery Contact: National Fire Protection Association, 1 Batterymarch Park, P.O. Box 9101, Quincy, MA 02269-9101, Tel.: 800-344-3555	ISO 13849-1 (EN 954-1) Safety-Related Parts of Control Systems ISO 13856-1 (EN1760-1), Safety of Machinery – Pressure-Sensitive Protective Devices
ANSI/RIA R15.06 Safety Requirements for Industrial Robots and Robot Systems Contact: Robotic Industries Association, 900 Victors Way, P.O. Box 3724, Ann Arbor, MI 48106, Tel.: 734-994-6088	Contact: Global Engineering Documents, 15 Inverness Way East, Englewood, CO 80112-5704, Tel.: 800-854- 7179

Overview

Models SSA-EB series are metal or plastic “mushroom-style” mechanical emergency stop buttons, available with or without a compact enclosure housing, to provide emergency stop actuation. When the button is armed, the switch’s normally closed contacts are closed and its normally open contacts, if present, are open. When the button is pushed, the switch’s normally closed contacts open and its normally open contacts close. The contacts remain in this condition until the push button is manually rearmed. To manually rearm, twist the push button.

These emergency stop buttons are not safeguarding devices. They do not automatically protect personnel from injury.

Installation

Mechanical Installation

1. Metal models: Latch the push button onto the mounting adapter by rotating it.
2. All Models: Attach the mounting adapter to the mounting surface using the incorporated screws. ($T_{max} = 7.14 \text{ in-lb}/0.8 \text{ Nm}$). Snap the auxiliary contacts onto the mounting adapter. Use the disc label with legend at every switch per appropriate standards
3. Mount the E-Stop button on a rigid surface that is easily accessible and visible to operators and other personnel. Refer to appropriate standards for recommendations on number and placement.

Electrical Installation

To access the wiring chamber, remove four screws and the cover. Conduit mounting via removable rubber plug or knockout.

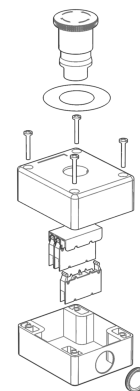


Figure 3. Assembly

Maintenance

At machine set up, a Designated Person¹ should test each emergency stop push button for proper machine shutdown response.

The Designated Person should check the emergency stop buttons for proper operation, physical damage, button looseness, and excessive environmental contamination. This should take place on a periodic schedule determined by the user, based on the severity of the operating environment and the frequency of switch actuations

Adjust, repair, or replace components as needed. If inspection reveals contamination on the switch, thoroughly clean the switch and eliminate the cause of the contamination. Replace the switch and/or appropriate components when any parts or assemblies are damaged, broken, deformed, or badly worn; or if the electrical/mechanical specifications (for the environment and operating conditions) have been exceeded.

Always test the control system for proper functioning under machine control conditions after performing maintenance, replacing the emergency stop device, or replacing any component of the device.

Replacement Parts

<p>8-LP2T-B6644</p> <ul style="list-style-type: none"> • 22.5 mm plastic button (mounting adapter sold separately) • Twist to release, mechanical latching ISO 13850 (EN 418) compliant • Diameter 40 mm (without mounting adapter) 	 <p>8-LM2T-C01</p> <ul style="list-style-type: none"> • Normally closed (N.C.) positively driven contact element • Direct (positive) opening operation per IEC/EN 60947-5-1 
<p>8-LM2T-B6644</p> <ul style="list-style-type: none"> • 22.5 mm metal button (mounting adapter sold separately) • Twist to release, mechanical latching ISO 13850 (EN 418) compliant • Diameter 40 mm (without mounting adapter). 	 <p>8-LM2T-C10</p> <p>Normally open (N.O.) auxiliary contact element</p> 
<p>8-LM2T-AU120</p> <p>Metal mounting adapter for metal button</p>	 <p>8-LM2T-AU115</p> <ul style="list-style-type: none"> • 60 mm diameter • Non-adhesive plastic legend with "Emergency Stop" inscription 
<p>LPZP1A5</p> <ul style="list-style-type: none"> • Compact size - 70mm x 70mm x 56mm (2.7" x 2.7" x 2.2") • One 22mm hole (with key way) for installation of emergency stop palm/push button • Maximum of three contact blocks • Polycarbonate construction • Wire entry via three sides (M16, M20 or M25) or the bottom (M16) • Environmental rating: IP66, IP67 and IP69K (with proper installation and rated button) • Mounting hole location (x4) - 45mm x 58mm 	

¹ A Designated Person is identified in writing by the employer as being appropriately trained to perform a specified checkout procedure. A Qualified Person possesses a recognized degree or certificate or has extensive knowledge, training, and experience to solve problems relating to the emergency stop installation (reference ANSI B30.2).

Specifications

Emergency Stop Push Button

Mechanical Life
300,000 operations

Operating Force
0.8 kg

Environmental rating
IP65; NEMA 4, 13

Operating Temperature
-25 °C to 60 °C (-13 °F to 140 °F)

Mounting Adapter
Plastic button: The adapter is fixed to the mounting surface using incorporated screws (Tmax = 0.6 Nm)
Metal button: The adapter is fixed to the mounting surface using incorporated screws (Tmax = 0.8 Nm)

Construction
Plastic parts: Polyamide and polycarbonate
Metal parts: Aluminum and zinc alloy

Certifications



Compliant with EN/IEC 60497-1; -5-1

Contacts

European Rating
Utilization categories: AC15 and DC13
Ui = 690 V ac
Ith = 10 A
UL designation = A 600 Q600

Mechanical Life
1,000,000 operations

Connections
(1 or 2) 12 AWG (2.5 mm²) maximum wire size

Construction
Polyamide and polycarbonate

Environmental rating
IP20

Operating Temperature
IP20

Operating Temperature
-25 °C to 60 °C (-13 °F to 140 °F)

Certifications



Compliant with EN/IEC 60497-1; -5-1

Dimensions

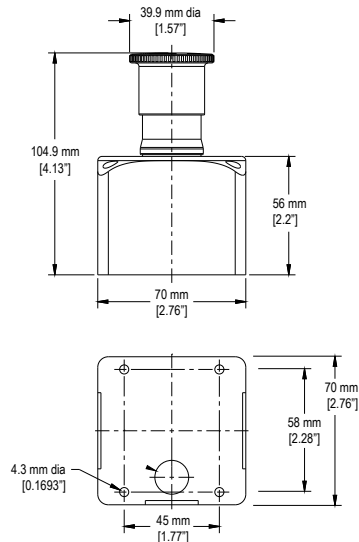


Figure 4. SSA-EBM-xxE and EBP-xxE Series E-Stop Buttons

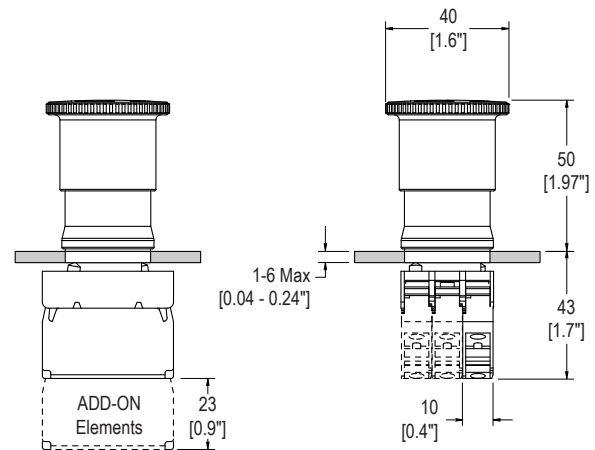


Figure 5. SSA-EBM-xxL and EBP-xxL Series E-Stop Buttons

Banner Engineering Corp Limited Warranty

Banner Engineering Corp. warrants its products to be free from defects in material and workmanship for one year following the date of shipment. Banner Engineering Corp. will repair or replace, free of charge, any product of its manufacture which, at the time it is returned to the factory, is found to have been defective during the warranty period. This warranty does not cover damage or liability for misuse, abuse, or the improper application or installation of the Banner product.

THIS LIMITED WARRANTY IS EXCLUSIVE AND IN LIEU OF ALL OTHER WARRANTIES WHETHER EXPRESS OR IMPLIED (INCLUDING, WITHOUT LIMITATION, ANY WARRANTY OF MERCHANTABILITY OR FITNESS FOR A PARTICULAR PURPOSE), AND WHETHER ARISING UNDER COURSE OF PERFORMANCE, COURSE OF DEALING OR TRADE USAGE.

This Warranty is exclusive and limited to repair or, at the discretion of Banner Engineering Corp., replacement. IN NO EVENT SHALL BANNER ENGINEERING CORP. BE LIABLE TO BUYER OR ANY OTHER PERSON OR ENTITY FOR ANY EXTRA COSTS, EXPENSES, LOSSES, LOSS OF PROFITS, OR ANY INCIDENTAL, CONSEQUENTIAL OR SPECIAL DAMAGES RESULTING FROM ANY PRODUCT DEFECT OR FROM THE USE OR INABILITY TO USE THE PRODUCT, WHETHER ARISING IN CONTRACT OR WARRANTY, STATUTE, TORT, STRICT LIABILITY, NEGLIGENCE, OR OTHERWISE.

Banner Engineering Corp. reserves the right to change, modify or improve the design of the product without assuming any obligations or liabilities relating to any product previously manufactured by Banner Engineering Corp.