

# WORLD-BEAM® QS18LD Laser Diffuse Series Sensors



## Datasheet



- Visible Class 1 laser for diffuse sensing
- Narrow effective beam provides small-object detection and precise position control
- Crosstalk rejection algorithm protects against optical disturbance from adjacent sensors
- Excellent optical performance throughout sensing range, even close up
- 10 to 30 V dc operation, with complementary (SPDT) NPN or PNP outputs, depending on model
- Bright LED operating status indicators are visible from 360°
- Compact, rugged sealed housing, protected circuitry
- Mounting versatility – popular 18 mm threaded barrel or side-mount
- Choose 2 m (6.5 ft) or 9 m (30 ft) cable or one of four QD options

Models	Sensing Range	Spot Size at Focus	Cable	Output
QS18VN6LD	650 nm Visible Red Class 1 Laser 300 mm (12 in)	Approximately 1 mm at 300 mm (0.039 in at 12 in)	4-wire, 2 m (6.5 ft) integral cable	NPN
QS18VP6LD				PNP

The standard 2 m (6.5 ft) cable models are listed. To order the 9 m (30 ft) cable models, add the suffix "W/30" to the model number (e.g., QS18VN6LD W/30). A model with a QD connector requires a mating cordset. To order the QD models:

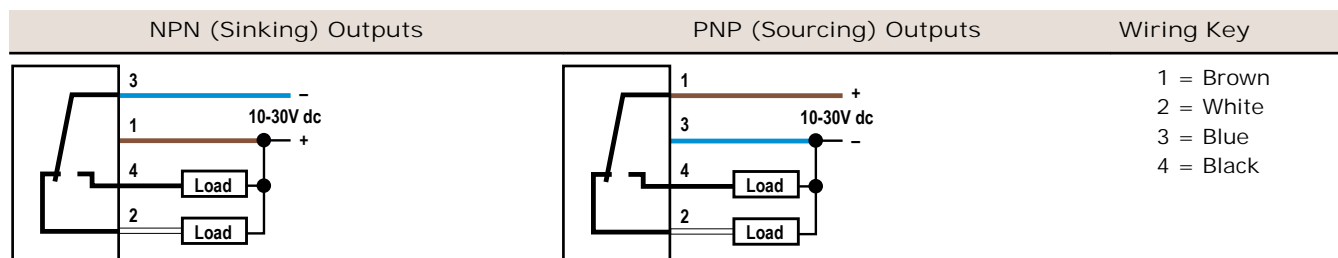
- For 4-pin integral Euro-style QD, add suffix "Q8" (e.g., QS18VN6LDQ8).
- For 4-pin integral Pico-style QD, add suffix "Q7" (e.g., QS18VN6LDQ7).
- For 4-pin Euro-style 150 mm (6 inch) pigtail QD, add suffix "Q5" (e.g., QS18VN6LDQ5).
- For 4-pin Pico-style 150 mm (6 inch) pigtail QD, add suffix "Q" (e.g., QS18VN6LDQ).



### WARNING: Not To Be Used for Personnel Protection

Never use this device as a sensing device for personnel protection. Doing so could lead to serious injury or death. This device does not include the self-checking redundant circuitry necessary to allow its use in personnel safety applications. A sensor failure or malfunction can cause either an energized or de-energized sensor output condition.

## Wiring Diagrams



Cabled wiring diagrams are shown. Quick disconnect (QD) wiring diagrams are functionally identical.



## Description of Laser Classes

### Class 1 Lasers

Class 1 lasers are lasers that are safe under reasonably foreseeable conditions of operation, including the use of optical instruments for intrabeam viewing.

Reference IEC 60825-1:2001, Section 8.2.

Class 1 Laser Characteristics: See Specifications.



#### CAUTION: Do Not Disassemble for Repair

This device contains no user-serviceable components. Do not attempt to disassemble for repair. Use of controls or adjustments or performance of procedures other than those specified herein may result in hazardous radiation exposure. A defective unit must be returned to the manufacturer.



### For Safe Laser Use (Class 1 or Class 2):

- Do not stare at the laser.
- Do not point the laser at a person's eye.
- Mount open laser beam paths either above or below eye level, where practical.
- Terminate the beam emitted by the laser product at the end of its useful path.

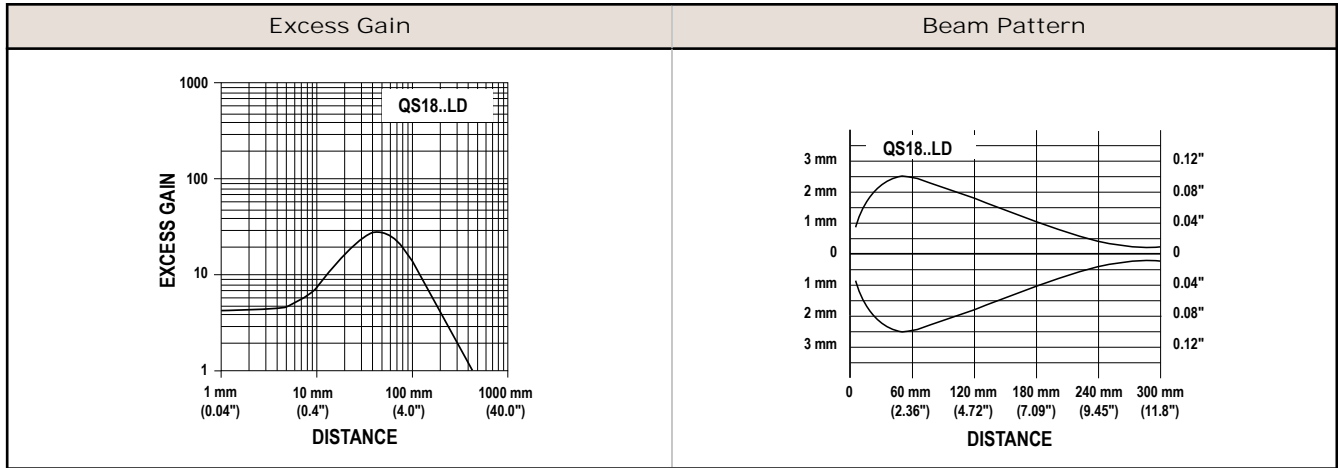
## Specifications

Supply Voltage 10 to 30 V dc (10% maximum ripple) at less than 15 mA, exclusive of load	Repeatability 130 microseconds
Sensing Beam Visible red LED, 650 nm	Sensing Hysteresis 15% of range typical
Laser Characteristics Wavelength: 650 nm visible red Class 1 laser Pulse Width: 7 microseconds Rep Rate: 130 microseconds Average Output Power: 0.065 mW	Adjustments Single-turn sensitivity (Gain) adjustment potentiometer
Supply Protection Circuitry Protected against reverse polarity and transient voltages	Indicators 2 LED indicators on sensor top: Green solid: Power on Amber solid: Light sensed Amber flashing: Marginal excess gain (1 to 1.5x excess gain)
Output Configuration Solid-state complementary (SPDT): NPN or PNP (current sinking or sourcing), depending on model; Rating: 100 mA maximum each output at 25 °C Off-state leakage current: NPN: less than 200 µA @ 30 V dc (See Application Note 1) PNP: less than 10 µA @ 30 V dc ON-state saturation voltage: NPN: less than 1.6 V @ 100 mA PNP: less than 3.0 V @ 100 mA	Construction ABS housing, acrylic lens cover, 3 mm mounting hardware included
Output Protection Circuitry Protected against false pulse on power-up and continuous overload or short circuit of outputs	Environmental Ratings IEC IP67; NEMA 6; UL Type 1
Output Response 700 microseconds ON/OFF NOTE: 200 millisecond delay on power-up; outputs do not conduct during this time	Connections 2 m (6.5 ft) 4-wire PVC cable, 9 m (30 ft) 4-wire PVC cable, 4-pin Pico-style or Euro-style QD, 4-pin Pico-style or Euro-style 150 mm (6 in) pigtail QD, depending on model
	Operating Conditions Temperature: -10 °C to 50 °C (14 °F to 122 °F) Relative Humidity: 90% @ 50 °C (non-condensing)
	Laser Classification Class 1 laser product; Complies with IEC 60825-1:2001 and 21 CFR 1040.10, except for deviations pursuant to Laser Notice 50, dated 7-26-01
	Application Notes NPN off-state leakage current is < 200 µA for load resistances > 3 kΩ or optically isolated loads. For load current of 100 mA, leakage is < 1% of load current.
	Certifications



## Performance Curves

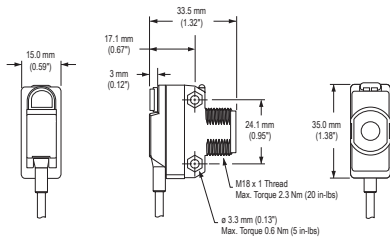
Performance is based on a 90% reflectance white test card.



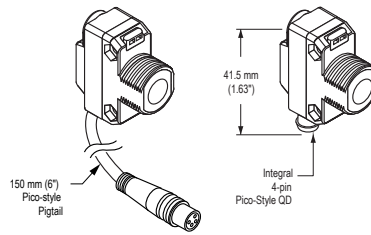
## Dimensions

All measurements are listed in millimeters (inches).

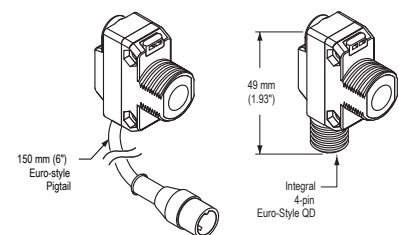
Cabled Models



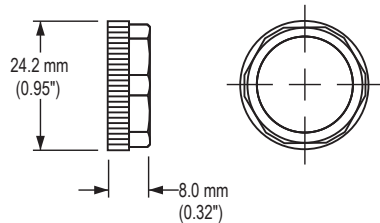
Pico-Style QD Models



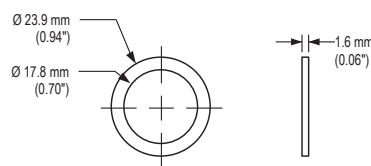
Euro-Style QD Models



Locknut (included with all models)



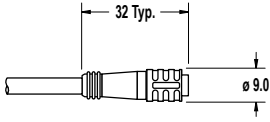
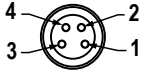
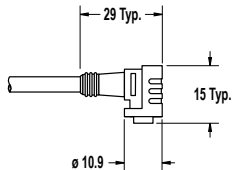
Washer (included with all models)

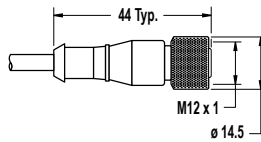
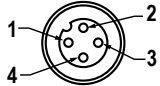
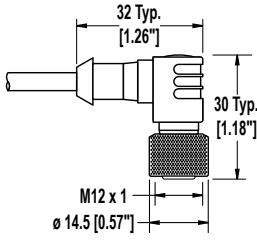


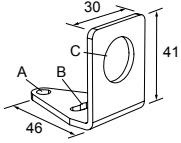
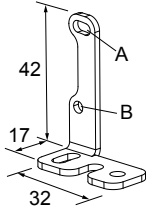
M3 Hardware Packet Contents:

- 2 – M3 x 0.5 x 20 mm SS Screw
- 2 – M3 x 0.5 SS Hex Nut
- 2 – M3 SS Washer

## Accessories

4-Pin Snap-on M8/Pico-Style Cordsets				
Model	Length	Style	Dimensions	Pinout
PKG4-2	2.00 m (6.56 ft)	Straight		 1 = Brown 2 = White 3 = Blue 4 = Black
PKW4Z-2	2.00 m (6.56 ft)	Right-Angle		

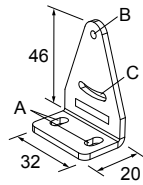
4-Pin Threaded M12/Euro-Style Cordsets				
Model	Length	Style	Dimensions	Pinout
MQDC-406	1.83 m (6 ft)	Straight		 1 = Brown 2 = White 3 = Blue 4 = Black
MQDC-415	4.57 m (15 ft)			
MQDC-430	9.14 m (30 ft)			
MQDC-450	15.2 m (50 ft)			
MQDC-406RA	1.83 m (6 ft)	Right-Angle		
MQDC-415RA	4.57 m (15 ft)			
MQDC-430RA	9.14 m (30 ft)			
MQDC-450RA	15.2 m (50 ft)			

Mounting Brackets	
<p><b>SMB18A</b></p> <ul style="list-style-type: none"> <li>Right-angle mounting bracket with a curved slot for versatile orientation</li> <li>12-ga. stainless steel</li> <li>18 mm sensor mounting hole</li> <li>Clearance for M4 (#8) hardware</li> </ul>  <p>Hole center spacing: A to B = 24.2                      Hole size: A = ø 4.6, B = 17.0 x 4.6, C = ø 18.5</p>	<p><b>SMBQS18RA</b></p> <ul style="list-style-type: none"> <li>Right-angle mounting bracket</li> <li>14-ga. 304 stainless steel</li> </ul>  <p>Hole center spacing: A to B = 20.3                      Hole size: A = 4.3 x 9.3, B = ø 4.3</p>

Mounting Brackets

SMB312S

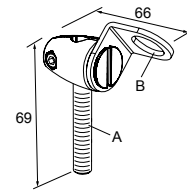
- Stainless steel 2-axis, side-mount bracket



A = 4.3 x 7.5, B = diam. 3, C = 3 x 15.3

SMB18FA..

- Swivel bracket with tilt and pan movement for precision adjustment
- Easy sensor mounting to extruded rail T-slots
- Metric and inch size bolts available
- 18 mm sensor mounting hole

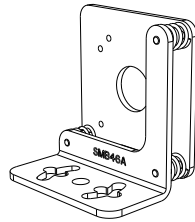


Hole size: B=ø 18.1

Model	Bolt Thread (A)
SMB18FA	3/8 - 16 x 2 in
SMB18FAM10	M10 - 1.5 x 50

SMB46A

- 2-piece 12-ga. stainless steel bracket assembly with precision sensor alignment adjustment
- 2 mm hex key included



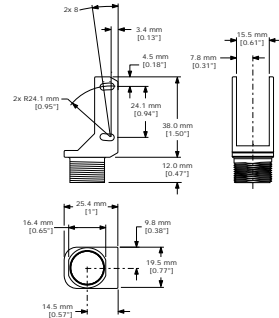
Hole center spacing: A to B = 18.5, B = 30.5

Hole size: A = ø 6.6, B = 7.1 x 20.3

SMBQS18Y

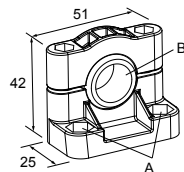
- Die-cast bracket for 18 mm holes
- Includes metal hex nut and lock washer
- Allows ± 8° for cabled sensors

Hole size: A = ø 15.3



SMB18SF

- 18 mm swivel bracket with M18 x 1 internal thread
- Black thermoplastic polyester
- Stainless steel swivel locking hardware included

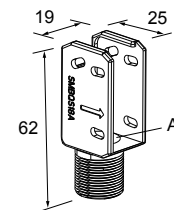


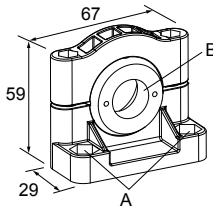
Hole center spacing: A = 36.0  
Hole size: A = ø 5.3, B = ø 18.0

SMBQS18A

- Wrap-around protection bracket
- Die-cast bracket
- Base fits 18 mm threaded hole
- Metal hex nut, lock washer and grommet included
- Mounting holes specially designed for QS18AF sensors

Hole size: A = ø 15.3



Mounting Brackets	
<p>SMB3018SC</p> <ul style="list-style-type: none"> <li>• 18 mm swivel side or barrel-mount bracket</li> <li>• Black reinforced thermoplastic polyester</li> <li>• Stainless steel swivel locking hardware included</li> </ul> <p>Hole center spacing: A = 50.8 Hole size: A = <math>\varnothing</math> 7.0, B = <math>\varnothing</math> 18.0</p>	

## Banner Engineering Corp Limited Warranty

Banner Engineering Corp. warrants its products to be free from defects in material and workmanship for one year following the date of shipment. Banner Engineering Corp. will repair or replace, free of charge, any product of its manufacture which, at the time it is returned to the factory, is found to have been defective during the warranty period. This warranty does not cover damage or liability for misuse, abuse, or the improper application or installation of the Banner product.

THIS LIMITED WARRANTY IS EXCLUSIVE AND IN LIEU OF ALL OTHER WARRANTIES WHETHER EXPRESS OR IMPLIED (INCLUDING, WITHOUT LIMITATION, ANY WARRANTY OF MERCHANTABILITY OR FITNESS FOR A PARTICULAR PURPOSE), AND WHETHER ARISING UNDER COURSE OF PERFORMANCE, COURSE OF DEALING OR TRADE USAGE.

This Warranty is exclusive and limited to repair or, at the discretion of Banner Engineering Corp., replacement. IN NO EVENT SHALL BANNER ENGINEERING CORP. BE LIABLE TO BUYER OR ANY OTHER PERSON OR ENTITY FOR ANY EXTRA COSTS, EXPENSES, LOSSES, LOSS OF PROFITS, OR ANY INCIDENTAL, CONSEQUENTIAL OR SPECIAL DAMAGES RESULTING FROM ANY PRODUCT DEFECT OR FROM THE USE OR INABILITY TO USE THE PRODUCT, WHETHER ARISING IN CONTRACT OR WARRANTY, STATUTE, TORT, STRICT LIABILITY, NEGLIGENCE, OR OTHERWISE.

Banner Engineering Corp. reserves the right to change, modify or improve the design of the product without assuming any obligations or liabilities relating to any product previously manufactured by Banner Engineering Corp.