

SAFQT50U Mounting Flange

For use with QT50U sensors



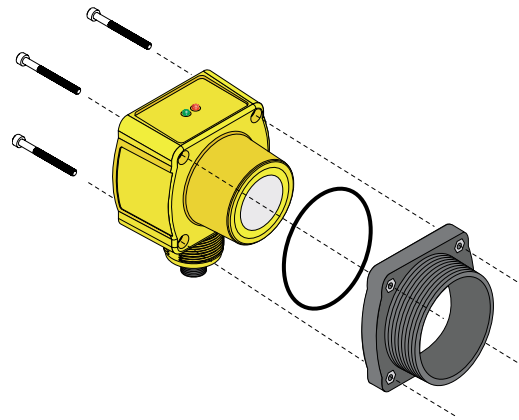
Features

PVC mounting flange mounts to the front of a QT50U sensor; adapts sensor to thread into standard 2" NPT female threads.

NOTE: QT50U sensors are not designed for use in pressurized environments.

Installation

1. Place o-ring in flange groove.
2. Assemble sensor onto threaded flange as shown, using the M4 screws supplied with the QT50U sensor.
3. Using the supplied hex wrench, torque screws to approximately 10 in/lbs.
4. Mount sensor/flange assembly into 2" NPT fitting.



Dimensions

