

APC-18 Air Purge Collar for 18 mm Sensors

For use with 18 mm threaded-barrel sensors



Features

- Positive air pressure prevents water, dust, and other airborne contaminants from collecting on the sensor face.
- Air flow helps cool sensors affected by ambient heat in the sensing environment.
- Works with many of Banner's 18 mm threaded-barrel photoelectric and temperature sensors.

NOTE: Because air temperature affects the speed of sound, the APC-18 Air Purge Collar should not be used with ultrasonic sensors.

Installation

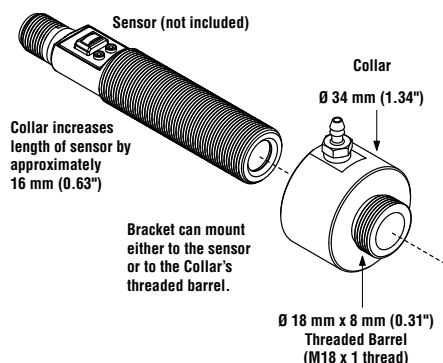
1. The internal and external threads of the Air Purge Collar provide two mounting options for 18 mm threaded-barrel sensors:

- Thread the Collar all the way onto the sensor, then mount the Collar in the mounting bracket by its external threads, or
- Install the sensor in the mounting bracket, then thread the Collar all the way onto the sensor.

2. Attach the air supply to the Collar by pushing a 1/8" ID air hose onto the air connection.

NOTES:

- To prevent contamination on the sensor face, use clean, dry, instrument-quality air.
- For best sensing results, teach the sensor while air is flowing.



Specifications

Housing Material	Stainless steel
Air Connection	1/8 x 10-32 stainless steel barb fitting; connects to 1.8" ID hose
Recommended Air Flow Rate	10 liters per minute (0.35 SCFM)
Approximate Input Pressure	0.7 psi

WARRANTY: Banner Engineering Corp. warrants its products to be free from defects for one year. Banner Engineering Corp. will repair or replace, free of charge, any product of its manufacture found to be defective at the time it is returned to the factory during the warranty period. This warranty does not cover damage or liability for the improper application of Banner products. This warranty is in lieu of any other warranty either expressed or implied.