

CL50 Column Light

Multi-Color General Purpose or Audible Indicators

Features



- Rugged, cost-effective and easy-to-install multi-color indicators
- Illuminated light provides easy-to-see operator guidance and indication of equipment status
- 1, 2, or 3 color models available
- Optional audible function with variable intensity
- Compact devices are completely self-contained — no controller needed
- Immune to ambient light, EMI and RFI interference
- 18 to 30V dc operation
- No assembly required

Multi-Color General-Purpose Models

Model	Colors	LED Function* – Lights Independently Selected			Connection**	Inputs
		Color 1	Color 2	Color 3		
CL50GXXPQ	1	Green	–	–	4-pin Euro integral QD connector	PNP
CL50GXXNQ		Green	–	–		NPN
CL50RXRPQ		–	Red	–		PNP
CL50RXRNQ		–	Red	–		NPN
CL50GRXPQ	2	Green	Red	–		PNP
CL50GRXNQ		Green	Red	–		NPN
CL50GRYPQ	3	Green	Red	Yellow		PNP
CL50GRYNQ		Green	Red	Yellow		NPN



Multi-Color Audible Models

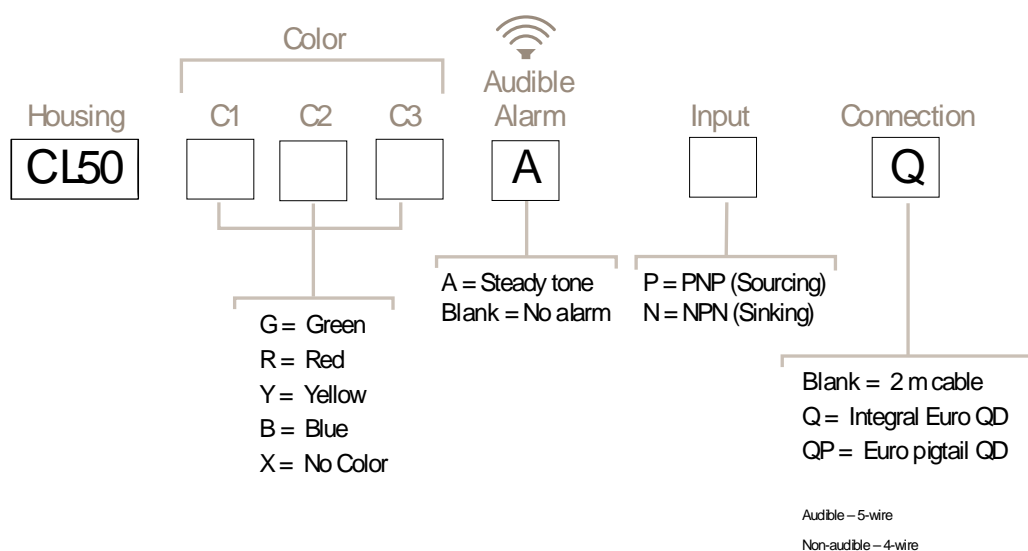
Model	Colors	LED Function* – Lights Independently Selected			Connection**	Inputs
		Color 1	Color 2	Color 3		
CL50GXXAPQ	1	Green	–	–	5-pin Euro integral QD connector	PNP
CL50GXXANQ		Green	–	–		NPN
CL50RXAPQ		–	Red	–		PNP
CL50RXANQ		–	Red	–		NPN
CL50GRXAPQ	2	Green	Red	–		PNP
CL50GRXANQ		Green	Red	–		NPN
CL50GRYAPQ	3	Green	Red	Yellow		PNP
CL50GRYANQ		Green	Red	Yellow		NPN

* Contact factory for other colors and color combinations.

** Integral QD models are listed.


- For 150 mm PVC pigtail with QD, replace **Q** with **QP** in model number (example, **CL50GRYPQP**).
- For 2 m (6.5') cable, omit suffix **Q** from model number (example, **CL50GRYP**).
- A model with a QD requires a mating cable (see [Quick-Disconnect \(QD\) Cordsets](#) on page 7).

Model Key*

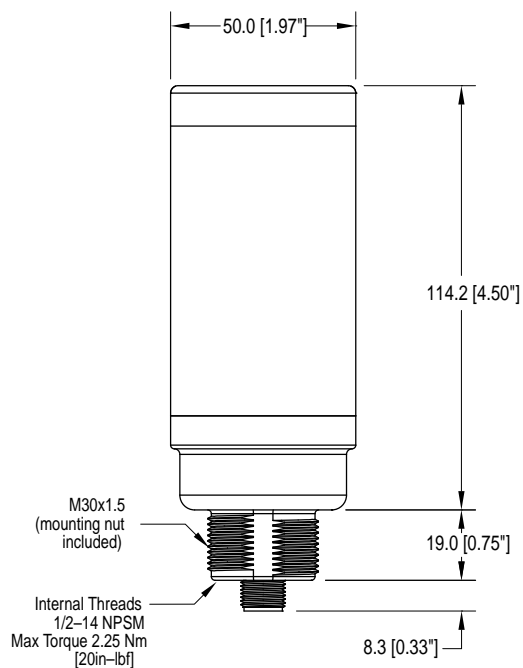


*Create your own model according to this key if the standard selection from page 1 does not meet your requirements. Consult factory for availability.

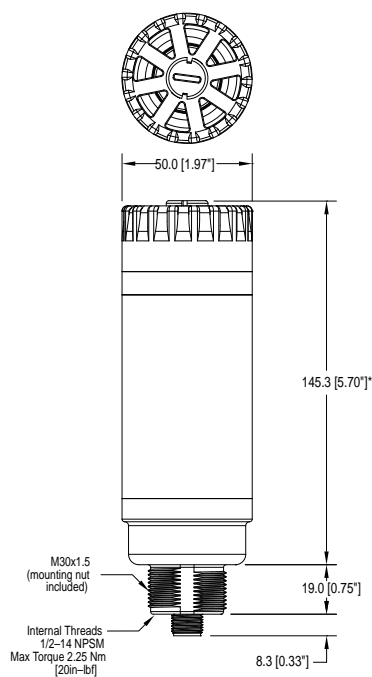
Specifications

Feature	Description
Supply Voltage and Current	18 to 30V dc (10% max. ripple) Indicators: @ 100 mA max. current at 18V dc; 70 mA max. current at 30V dc Audible Alarm: @ 25 mA max. current at 18 to 30V dc
Indicators	LEDs or audible alarm are independently selected: Green, Red, Yellow; 1-3 colors depending on model
Input Response Time	Indicator ON/OFF: 10 ms (max.)
Oscillation Frequency (Audible only)	2.7 KHz \pm 500 Hz Max. Intensity (typical): 95 db @ 1 meter
Audible Adjustments	The audible intensity can be adjusted by unscrewing the cover. The cover should not be unscrewed more than one and a half turns or it may detach during operation. For max. intensity, remove the center plug by rotating it 180° counterclockwise.
Construction	Bases and Covers: ABS Light Segment: Polycarbonate
Environmental Rating	General-Purpose: IEC IP67 Audible: IEC IP50
Connections	Integral 4-pin or 5-pin Euro-style QD, 150 mm PVC pigtail with QD, or 2 m (6.5') integral cable, depending on model
Operating Conditions	General-Purpose: -40° to +50° C (-40° to +122° F) Audible: -20° to +50° C (-4° to +122° F)
Certifications	

Multi-Color General-Purpose Dimensions



Multi-Color Audible Dimensions



Hookups – Multi-Color General-Purpose Models

Sourcing (PNP) Input	Sinking (NPN) Input	Key:
		<p>1 = Brown 2 = White 3 = Blue 4 = Black C1 = Color 1 C2 = Color 2 C3 = Color 3</p>
If there is an X in the model number, that corresponding wire will not be used		

Hookups – Multi-Color Audible Models

Sourcing (PNP) Input	Sinking (NPN) Input	Key:
		<p>1 = Brown 2 = White 3 = Blue 4 = Black 5 = Gray C1 = Color 1 C2 = Color 2 C3 = Color 3 A = Audible</p>
If there is an X in the model number, that corresponding wire will not be used		

Functional Truth Table: PNP Models

LED Function	Pin 4 (Black Wire)	Pin 1 (Brown Wire)	Pin 2 (White Wire)
Color 1 ON	+Vdc		
Color 2 ON		+Vdc	
Color 3 ON			+Vdc
Color 3 ON (color 3 inhibits color 1)	+Vdc		+Vdc
Color 2 ON (color 2 inhibits color 1)	+Vdc	+Vdc	
Color 3 ON (color 3 inhibits color 2)		+Vdc	+Vdc
Color 3 ON (color 3 inhibits colors 1 & 2)	+Vdc	+Vdc	+Vdc

NOTES:

- Pin 3 (blue wire) connected to ground (-)
- **Alarm models:** Alarm function is independent of light functions

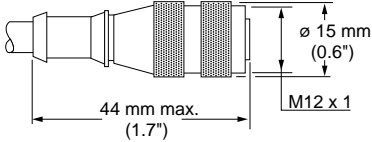
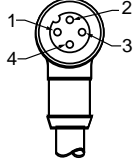
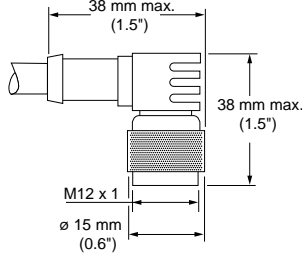
Functional Truth Table: NPN Models

LED Function	Pin 4 (Black Wire)	Pin 3 (Blue Wire)	Pin 2 (White Wire)
Color 1 ON	-Vdc		
Color 2 ON		-Vdc	
Color 3 ON			-Vdc
Color 3 ON (color 3 inhibits color 1)	-Vdc		-Vdc
Color 2 ON (color 2 inhibits color 1)	-Vdc	-Vdc	
Color 3 ON (color 3 inhibits color 2)		-Vdc	-Vdc
Color 3 ON (color 3 inhibits colors 1 & 2)	-Vdc	-Vdc	-Vdc

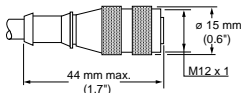
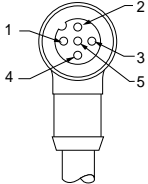
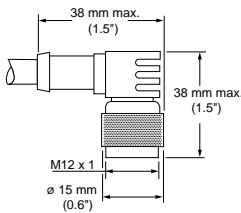
NOTES:

- Pin 1 (brown wire) connected to +Vdc
- **Alarm models:** Alarm function is independent of light functions

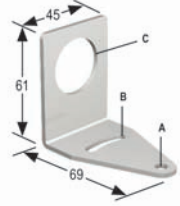

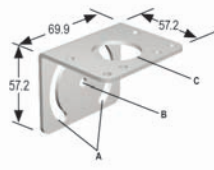
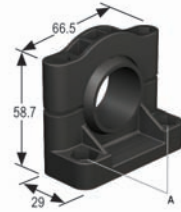
Quick-Disconnect (QD) Cordsets

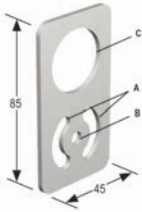
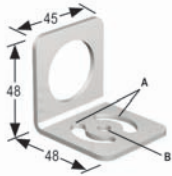
4-Pin Euro-Style Cables – Single-Ended				
Style	Model	Length	Dimensions	Pinout
4-pin Euro-style straight	MQDC-406	2 m (6.5')		
	MQDC-415	5 m (15')		
	MQDC-430	9 m (30')		
4-pin Euro-style Right-angle	MQDC-406RA	2 m (6.5')		1 = Brown 2 = White 3 = Blue 4 = Black
	MQDC-415RA	5 m (15')		
	MQDC-430RA	9 m (30')		

Quick-Disconnect (QD) Cordsets





5-Pin Euro-Style Cables – Single-Ended				
Style	Model	Length	Dimensions	Pinout
5-pin Euro-style Straight	MQDC1-506	2 m (6.5')		Female
	MQDC1-515	5 m (15')		
	MQDC1-530	9 m (30')		
5-pin Euro-style Right-Angle	MQDC1-506RA	2 m (6.5')		1 = Brown 2 = White 3 = Blue 4 = Black 5 = Gray
	MQDC1-515RA	5 m (15')		
	MQDC1-530RA	9 m (30')		

Mounting Brackets

Model	Features	Dimensions (all measurements in mm)
SMB30A	<ul style="list-style-type: none"> • Right-angle bracket with curved slot for versatile orientation • Clearance for M6 (1/4") hardware • 30 mm mounting hole • 12-ga. stainless steel 	 <p>Hole center spacing: A to B=40.0 Hole size: A=∅ 6.3, B=27.3 x 6.3, C=∅ 30.5</p>
SMB30FA	<ul style="list-style-type: none"> • Swivel bracket with tilt and pan movement for precision adjustment • 30 mm mounting hole • 12-ga. 304 stainless steel 	 <p>A=3/8 - 16 x 50.8 Hole size: B=∅ 30.1</p>
SMB30MM	<ul style="list-style-type: none"> • 12-ga. stainless steel bracket with curved mounting slots for versatility and orientation • Clearance for M6 (1/4") hardware • 30 mm mounting hole 	 <p>Hole center spacing: A=51.0, A to B=25.4 Hole size: A=42.6 x 7.0, B=∅ 6.4, C=∅ 30.1</p>
SMB30SC	<ul style="list-style-type: none"> • Swivel bracket with 30 mm mounting hole • Black reinforced thermoplastic polyester • Stainless steel mounting and swivel locking hardware included 	

Model	Features	Dimensions (all measurements in mm)
		<p>Hole center spacing: A to B=50.8</p> <p>Hole size: A=∅ 7.0</p>
<p>SMBAMS30P</p>	<ul style="list-style-type: none"> • Flat SMBAMS series bracket • 30 mm mounting hole • Articulation slots for 90+° rotation • 12-ga. 300 series stainless steel 	 <p>Hole center spacing: A=26.0, A to B=13.0</p> <p>Hole size: A=26.8 x 7.0, B=∅ 6.5, C=∅ 31.0</p>
<p>SMBAMS30RA</p>	<ul style="list-style-type: none"> • Right-angle SMBAMS series bracket • 30 mm mounting hole • Articulation slots for 90+° rotation • 12-ga. cold rolled stainless steel 	 <p>Hole center spacing: A=26.0, A to B=13.0</p> <p>Hole size: A=26.8 x 7.0, B=∅ 6.5, C=∅ 31.0</p>

Mounting Systems - Elevated Mount

Model		Features	Mounting System	
SA-M30TE12		<ul style="list-style-type: none"> Streamlined acetal stand-off pipe adapter/cover Connects between TL50 Tower Light and ½" NPSM/DN15 pipe Mounting hardware included 		
Stainless Steel	Aluminum	<ul style="list-style-type: none"> Elevated-use stand-off pipe (½" NPSM/DN15) Polished 304 stainless steel or anodized aluminum surface ½ NPT thread at both ends Compatible with most industrial environments 		
SOP-E12-150SS Length: 150 mm (6")	SOP-E12-150A Length: 150 mm (6")			
SOP-E12-300SS Length: 300 mm (12")	SOP-E12-300A Length: 300 mm (12")			
SA-E12M30		<ul style="list-style-type: none"> Streamlined acetal mounting base adapter/cover Connects between ½" NPSM/DN15 pipe and 30 mm (1-3/16") drilled hole Mounting hardware included 		

**WARNING . . . Not To Be Used for Personnel Protection****Never use this product as a sensing device for personnel protection. Doing so could lead to serious injury or death**

This product does NOT include the self-checking redundant circuitry necessary to allow its use in personnel safety applications. A sensor failure or malfunction can cause either an energized or de-energized sensor output condition. Consult your Banner Safety Products catalog for safety products that meet OSHA, ANSI and IEC standards for personnel protection.



Warranty: Banner Engineering Corp. will repair or replace, free of charge, any product of its manufacture found to be defective at the time it is returned to the factory during the warranty period. This warranty does not cover damage or liability for the improper application of Banner products. This warranty is in lieu of any other warranty either expressed or implied.