

**Dalton Gear Company**

212 Colfax Ave. N.

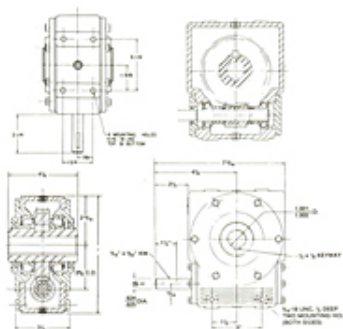
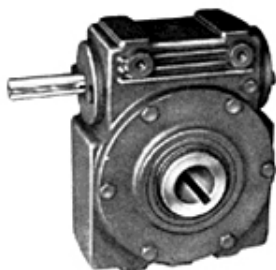
Minneapolis, MN 55405 US

Phone: 612-374-2150 • Fax: 612-374-2467

E-Mail: daltongear@worldnet.att.net

**Worm Gear Reducer Model 202 Shaft-Mounted Worm Gear Reducer**

- Transmits up to 2.25 HP at 1750 RPM
- Ratios: 10:1, 20:1, 40:1, 50:1
- Mounts directly on driven shaft; case has drilled and tapped holes for fixed mounting
- Heat treated and ground shafts turn on Timken bearings
- Bronze worm gear; alloy steel cut worm
- High alloy gray iron case
- Clockwise or counter-clockwise rotation
- Weight: Approx. 22 pounds



Results 1 - 4 of 4

Item #	Ratio	Input Specs	Output Specs
20200	10:1 QUAD/40	.26hp@100rpm .56hp@200rpm .80hp@300rpm 1.20hp@580rpm 1.45hp@720rpm 1.70hp@870rpm 2.00hp@1150rpm 2.18hp@1450rpm 2.25hp@1750rpm	1638lb-in Torque@10rpm 1764lb-in Torque@20rpm 1680lb-in Torque@30rpm 1304lb-in Torque@58rpm 1268lb-in Torque@72rpm 1231lb-in Torque@87rpm 1095lb-in Torque@115rpm 947lb-in Torque@145rpm 810lb-in Torque@175rpm
20201	20:1 DOUBLE/40	.21hp@100rpm .31hp@200rpm .45hp@300rpm .72hp@580rpm .83hp@720rpm .91hp@870rpm 1.15hp@1150rpm 1.27hp@1450rpm 1.30hp@1750rpm	2646lb-in Torque@5rpm 1953lb-in Torque@10rpm 1890lb-in Torque@15rpm 1564lb-in Torque@29rpm 1452lb-in Torque@36rpm 1333lb-in Torque@43rpm 1271lb-in Torque@57rpm 1096lb-in Torque@73rpm 941lb-in Torque@87rpm
20202	40:1 SINGLE/40	.09hp@100rpm .15hp@200rpm .23hp@300rpm .36hp@580rpm .42hp@720rpm .48hp@870rpm .58hp@1150rpm .65hp@1450rpm .68hp@1750rpm	2268lb-in Torque@2.5rpm 1890lb-in Torque@5rpm 1932lb-in Torque@7.5rpm 1620lb-in Torque@14rpm 1470lb-in Torque@18rpm 1374lb-in Torque@22rpm 1260lb-in Torque@29rpm 1137lb-in Torque@36rpm 973lb-in Torque@44rpm

.08hp@100rpm  
.12hp@200rpm  
.18hp@300rpm  
.28hp@580rpm  
.34hp@720rpm  
.39hp@870rpm  
.45hp@1150rpm  
.50hp@1450rpm  
.54hp@1750rpm

2520lb-in Torque@2rpm  
1890lb-in Torque@4rpm  
1890lb-in Torque@6rpm  
1603lb-in Torque@11rpm  
1530lb-in Torque@14rpm  
1445lb-in Torque@17rpm  
1232lb-in Torque@23rpm  
1086lb-in Torque@29rpm  
972lb-in Torque@35rpm

---

Results 1 - 4 of 4