

Dalton Gear Company

212 Colfax Ave. N.

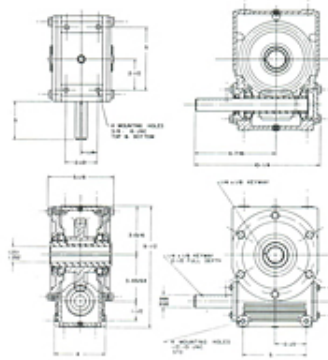
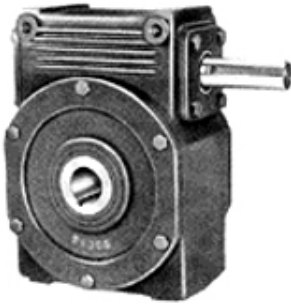
Minneapolis, MN 55405 US

Phone: 612-374-2150 • Fax: 612-374-2467

E-Mail: daltongear@worldnet.att.net

Worm Gear Reducer Model 303 Shaft-Mounted Worm Gear Reducer

- Transmits up to 6 HP at 1750 RPM
- Ratios: 8:1, 16:1 and 32:1
- Mounts directly on driven shaft, case has drilled and tapped holes for fixed mounting
- Ground shafts turn on Timken roller bearings, roller thrust bearings on both shafts minimize friction
- Meehanite or equivalent worm gear, alloy steel cut worm
- Rotation may be clockwise or counter-clockwise
- High-alloy grey iron case for rugged service
- Weight: approximately 40 pounds
- Bronze gear and hardened, ground worm also available



Results 1 - 3 of 3

Item #	Ratio	Input Specs	Output Specs
30301	8:1 QUAD/32	.90hp@100rpm 1.5hp@200rpm 2.2hp@300rpm 3.3hp@580rpm 3.9hp@720rpm 4.3hp@870rpm 5.1hp@1150rpm 5.6hp@1450rpm 6.0hp@1750rpm	4536lb-in Torque@12.5rpm 3780lb-in Torque@25rpm 3696lb-in Torque@37.5rpm 2867lb-in Torque@72.5rpm 2730lb-in Torque@90rpm 2492lb-in Torque@108.7rpm 2236lb-in Torque@143.7rpm 1945lb-in Torque@181.3rpm 1728lb-in Torque@218.7rpm
30302	16:1 DOUBLE/32	.5hp@100rpm .8hp@200rpm 1.25hp@300rpm 1.8hp@580rpm 2.2hp@720rpm 2.4hp@870rpm 2.75hp@1150rpm 3.15hp@1450rpm 3.26hp@1750rpm	5080lb-in Torque@6.2rpm 4032lb-in Torque@12.5rpm 4200lb-in Torque@18.75rpm 3132lb-in Torque@36.2rpm 3080lb-in Torque@45rpm 2779lb-in Torque@54.4rpm 2412lb-in Torque@71.8rpm 2190lb-in Torque@90.6rpm 1879lb-in Torque@109.3rpm

.3hp@100rpm
.5hp@200rpm
.7hp@300rpm
1.0hp@580rpm
1.2hp@720rpm
1.3hp@870rpm
1.5hp@1150rpm
1.75hp@1450rpm
1.9hp@1750rpm

6096lb-in Torque@3.1rpm
5040lb-in Torque@6.25rpm
4691lb-in Torque@9.4rpm
3480lb-in Torque@18.1rpm
3360lb-in Torque@22.5rpm
3011lb-in Torque@27.2rpm
2632lb-in Torque@35.9rpm
2433lb-in Torque@45.3rpm
2188lb-in Torque@54.7rpm

Results 1 - 3 of 3