

Dalton Gear Company

212 Colfax Ave. N.

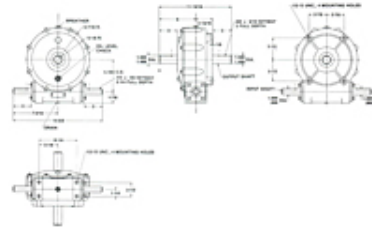
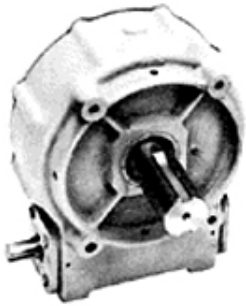
Minneapolis, MN 55405 US

Phone: 612-374-2150 • Fax: 612-374-2467



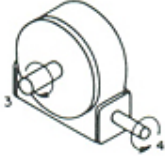
E-Mail: daltongear@worldnet.att.net

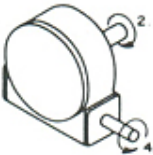
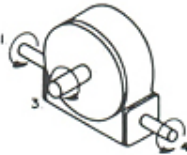

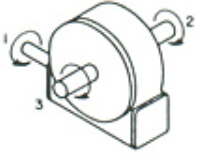
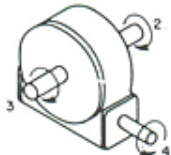
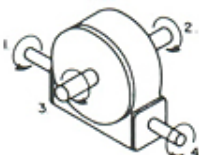



Worm Gear Reducer Model 460 Rugged Cast Iron Housing

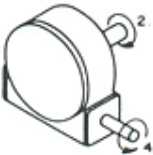
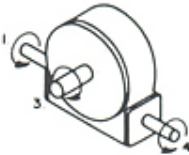
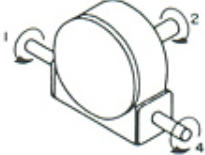
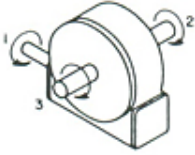
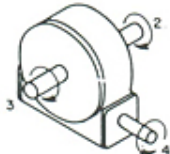
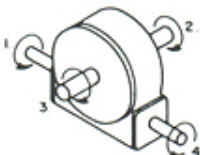
- A hardened, ground worm drives the centrifugally cast bronze gear for high efficiency and long life
- Output torque from 5.431 to 14.183 inch pounds
- Weight: 65 pounds
- Cast Iron Gear Also Available
- Other Shaft Diameters Available



Results 1 - 18 of 18

Item #	Ratio	Shaft Arrangement and Rotation	Input Specs	Output Specs
460-47	25:1	 <p>Type AR</p>	.36hp@25rpm .67hp@50rpm 1.24hp@100rpm 3.43hp@350rpm 4.49hp@540rpm 6.17hp@1125rpm 7.46hp@1725rpm	.23hp .44hp .86hp 2.64hp 3.59hp 5.21hp 6.49hp
460-48	25:1	 <p>Type BR</p>	.36hp@25rpm .67hp@50rpm 1.24hp@100rpm 3.43hp@350rpm 4.49hp@540rpm 6.17hp@1125rpm 7.46hp@1725rpm	.23hp .44hp .86hp 2.64hp 3.59hp 5.21hp 6.49hp
460-49	25:1	 <p>Type CR</p>	.36hp@25rpm .67hp@50rpm 1.24hp@100rpm 3.43hp@350rpm 4.49hp@540rpm 6.17hp@1125rpm 7.46hp@1725rpm	.23hp .44hp .86hp 2.64hp 3.59hp 5.21hp 6.49hp

460-50	25:1		.36hp@25rpm .67hp@50rpm 1.24hp@100rpm 3.43hp@350rpm 4.49hp@540rpm 6.17hp@1125rpm 7.46hp@1725rpm	.23hp .44hp .86hp 2.64hp 3.59hp 5.21hp 6.49hp
		Type DR		
460-51	25:1		.36hp@25rpm .67hp@50rpm 1.24hp@100rpm 3.43hp@350rpm 4.49hp@540rpm 6.17hp@1125rpm 7.46hp@1725rpm	.23hp .44hp .86hp 2.64hp 3.59hp 5.21hp 6.49hp
		Type ER		
460-52	25:1		.36hp@25rpm .67hp@50rpm 1.24hp@100rpm 3.43hp@350rpm 4.49hp@540rpm 6.17hp@1125rpm 7.46hp@1725rpm	.23hp .44hp .86hp 2.64hp 3.59hp 5.21hp 6.49hp
		Type FR		
460-53	25:1		.36hp@25rpm .67hp@50rpm 1.24hp@100rpm 3.43hp@350rpm 4.49hp@540rpm 6.17hp@1125rpm 7.46hp@1725rpm	.23hp .44hp .86hp 2.64hp 3.59hp 5.21hp 6.49hp
		Type GR		
460-54	25:1		.36hp@25rpm .67hp@50rpm 1.24hp@100rpm 3.43hp@350rpm 4.49hp@540rpm 6.17hp@1125rpm 7.46hp@1725rpm	.23hp .44hp .86hp 2.64hp 3.59hp 5.21hp 6.49hp
		Type HR		
460-55	25:1		.36hp@25rpm .67hp@50rpm 1.24hp@100rpm 3.43hp@350rpm 4.49hp@540rpm 6.17hp@1125rpm 7.46hp@1725rpm	.23hp .44hp .86hp 2.64hp 3.59hp 5.21hp 6.49hp
		Type JR		
460-65	50:1		.24hp@25rpm .43hp@50rpm .77hp@100rpm 1.99hp@350rpm 2.55hp@540rpm 3.37hp@1125rpm 3.94hp@1725rpm	.10hp .21hp .41hp 1.23hp 1.69hp 2.45hp 3.02hp
		Type AR		
460-66	50:1		.24hp@25rpm .43hp@50rpm .77hp@100rpm 1.99hp@350rpm 2.55hp@540rpm 3.37hp@1125rpm 3.94hp@1725rpm	.10hp .21hp .41hp 1.23hp 1.69hp 2.45hp 3.02hp
		Type BR		
460-67	50:1		.24hp@25rpm .43hp@50rpm .77hp@100rpm 1.99hp@350rpm 2.55hp@540rpm 3.37hp@1125rpm 3.94hp@1725rpm	.10hp .21hp .41hp 1.23hp 1.69hp 2.45hp 3.02hp
		Type CR		

460-68	50:1		.24hp@25rpm .43hp@50rpm .77hp@100rpm 1.99hp@350rpm 2.55hp@540rpm 3.37hp@1125rpm 3.94hp@1725rpm	.10hp .21hp .41hp 1.23hp 1.69hp 2.45hp 3.02hp
460-69	50:1		.24hp@25rpm .43hp@50rpm .77hp@100rpm 1.99hp@350rpm 2.55hp@540rpm 3.37hp@1125rpm 3.94hp@1725rpm	.10hp .21hp .41hp 1.23hp 1.69hp 2.45hp 3.02hp
460-70	50:1		.24hp@25rpm .43hp@50rpm .77hp@100rpm 1.99hp@350rpm 2.55hp@540rpm 3.37hp@1125rpm 3.94hp@1725rpm	.10hp .21hp .41hp 1.23hp 1.69hp 2.45hp 3.02hp
460-71	50:1		.24hp@25rpm .43hp@50rpm .77hp@100rpm 1.99hp@350rpm 2.55hp@540rpm 3.37hp@1125rpm 3.94hp@1725rpm	.10hp .21hp .41hp 1.23hp 1.69hp 2.45hp 3.02hp
460-72	50:1		.24hp@25rpm .43hp@50rpm .77hp@100rpm 1.99hp@350rpm 2.55hp@540rpm 3.37hp@1125rpm 3.94hp@1725rpm	.10hp .21hp .41hp 1.23hp 1.69hp 2.45hp 3.02hp
460-73	50:1		.24hp@25rpm .43hp@50rpm .77hp@100rpm 1.99hp@350rpm 2.55hp@540rpm 3.37hp@1125rpm 3.94hp@1725rpm	.10hp .21hp .41hp 1.23hp 1.69hp 2.45hp 3.02hp

Results 1 - 18 of 18