

Dalton Gear Company

212 Colfax Ave. N.

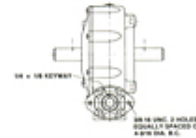
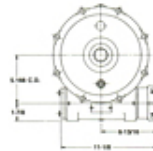
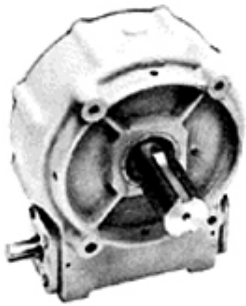
Minneapolis, MN 55405 US

Phone: 612-374-2150 • Fax: 612-374-2467



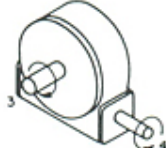
E-Mail: daltongear@worldnet.att.net

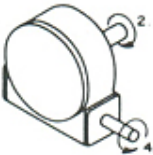
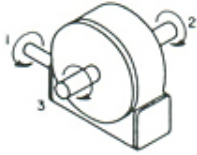
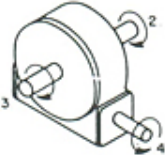


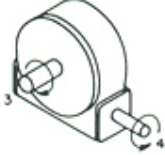
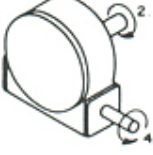

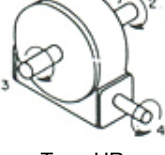
Worm Gear Reducer Model 460 Rugged Cast Iron Housing with SEA 2 Bolt 'A' Flange

- A hardened, ground worm drives the centrifugally cast bronze gear for high efficiency and long life
- Output torque from 5.431 to 14.183 inch pounds
- Weight: 65 pounds
- Cast Iron Gear Also Available
- Other Shaft Diameters Available
- Other input flanges available in quantity on a special order basis



Results 1 - 12 of 12

Item #	Ratio	Shaft Arrangement and Rotation	Input Specs	Output Specs
460-84	25:1	 <p>Type AR</p>	.36hp@25rpm .67hp@50rpm 1.24hp@100rpm 3.43hp@350rpm 4.49hp@540rpm 6.17hp@1125rpm 7.46hp@1725rpm	.23hp .44hp .86hp 2.64hp 3.59hp 5.21hp 6.49hp
460-85	25:1	 <p>Type BR</p>	.36hp@25rpm .67hp@50rpm 1.24hp@100rpm 3.43hp@350rpm 4.49hp@540rpm 6.17hp@1125rpm 7.46hp@1725rpm	.23hp .44hp .86hp 2.64hp 3.59hp 5.21hp 6.49hp
460-86	25:1	 <p>Type CR</p>	.36hp@25rpm .67hp@50rpm 1.24hp@100rpm 3.43hp@350rpm 4.49hp@540rpm 6.17hp@1125rpm 7.46hp@1725rpm	.23hp .44hp .86hp 2.64hp 3.59hp 5.21hp 6.49hp

460-87	25:1		.36hp@25rpm .67hp@50rpm 1.24hp@100rpm 3.43hp@350rpm 4.49hp@540rpm 6.17hp@1125rpm 7.46hp@1725rpm	.23hp .44hp .86hp 2.64hp 3.59hp 5.21hp 6.49hp
		Type DR		
460-88	25:1		.36hp@25rpm .67hp@50rpm 1.24hp@100rpm 3.43hp@350rpm 4.49hp@540rpm 6.17hp@1125rpm 7.46hp@1725rpm	.23hp .44hp .86hp 2.64hp 3.59hp 5.21hp 6.49hp
		Type GR		
460-91	25:1		.36hp@25rpm .67hp@50rpm 1.24hp@100rpm 3.43hp@350rpm 4.49hp@540rpm 6.17hp@1125rpm 7.46hp@1725rpm	.23hp .44hp .86hp 2.64hp 3.59hp 5.21hp 6.49hp
		Type HR		
460-102	50:1		.24hp@25rpm .43hp@50rpm .77hp@100rpm 1.99hp@350rpm 2.55hp@540rpm 3.37hp@1125rpm 3.94hp@1725rpm	.10hp .21hp .41hp 1.23hp 1.69hp 2.45hp 3.02hp
		Type AR		
460-103	50:1		.24hp@25rpm .43hp@50rpm .77hp@100rpm 1.99hp@350rpm 2.55hp@540rpm 3.37hp@1125rpm 3.94hp@1725rpm	.10hp .21hp .41hp 1.23hp 1.69hp 2.45hp 3.02hp
		Type BR		
460-104	50:1		.24hp@25rpm .43hp@50rpm .77hp@100rpm 1.99hp@350rpm 2.55hp@540rpm 3.37hp@1125rpm 3.94hp@1725rpm	.10hp .21hp .41hp 1.23hp 1.69hp 2.45hp 3.02hp
		Type CR		
460-152	50:1		.24hp@25rpm .43hp@50rpm .77hp@100rpm 1.99hp@350rpm 2.55hp@540rpm 3.37hp@1125rpm 3.94hp@1725rpm	.10hp .21hp .41hp 1.23hp 1.69hp 2.45hp 3.02hp
		Type DR		
460-106	50:1		.24hp@25rpm .43hp@50rpm .77hp@100rpm 1.99hp@350rpm 2.55hp@540rpm 3.37hp@1125rpm 3.94hp@1725rpm	.10hp .21hp .41hp 1.23hp 1.69hp 2.45hp 3.02hp
		Type GR		
460-109	50:1		.24hp@25rpm .43hp@50rpm .77hp@100rpm 1.99hp@350rpm 2.55hp@540rpm 3.37hp@1125rpm 3.94hp@1725rpm	.10hp .21hp .41hp 1.23hp 1.69hp 2.45hp 3.02hp
		Type HR		

Results 1 - 12 of 12