



- **Attractive 5mm 6-digit LCD display**
- **High reliability non-volatile memory**
- **Wide voltage range.**
- **Wide industrial temperature range.**
- **Snap-fit panel mounting**
- **Hourglass operation indicator**
- **Low power consumption**
- **Reverse polarity protection (85VDC)**

5

ELECTRONICS

The Veeder-Root brand Series EHM hourmeter provides an industrial environment time monitoring function.

There are three versions of the hourmeter with identical functionality:

- Round Meter – 2.4" panel bezel
- Rectangular Meter – 2.09" x 1.23" panel bezel
- PCB Mount Meter.

All are entirely fashioned from high strength plastic and feature a high-contrast LCD display.

SPECIFICATIONS

Accuracy: ±2 sec over temperature

Display: 6-digit LCD, 5 mm high

Power: 9-85VDC @ 4mA max.

Non-Volatile Memory: Exclusive Error Detection/Error Correction algorithm provides single fault error of less than 4 seconds over 100,000 hours.

Range & Resolution: 99999.9 hours @ 0.1 hour resolution

Timing Activation: 9-85VDC

Timing Indication: Hourglass Icon

Termination: Blade terminals; 1/4" on round case; 3/16" on rectangular case

EMC EMC Susceptibility:

EN61000-4-2 for industrial environments

EN50082-1 for commercial and light industrial environments.

EMC Emissions

EN50081-1 for light industrial environments

EN50081-2 for industrial environments

Operating temperature: -40C to +85C (LCD response degrades < -30C and > +75C)

Storage Temperature -40C to +85C (LCD glass freezes at -40C)

Humidity: 5% to 95% RH non-condensing

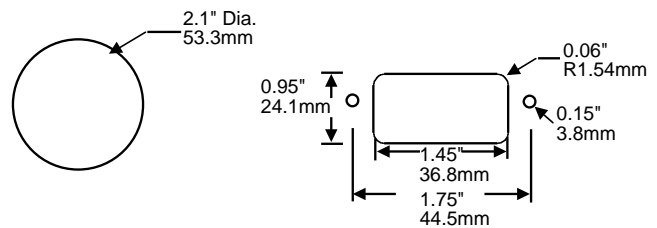
Safety: Low Voltage Directive Safety Requirements EN61010-1

Vibration: SAE J 1378 20g

Mechanical Shock: SAE J 1378 55g

Environmental Sealing: NEMA4X

MOUNTING DETAILS

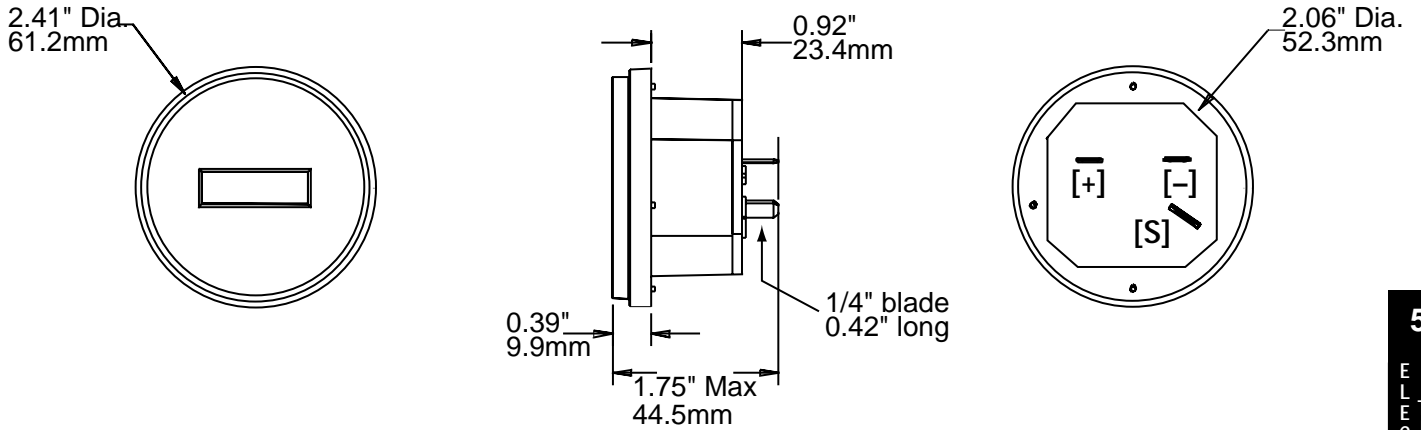


CONNECTIONS

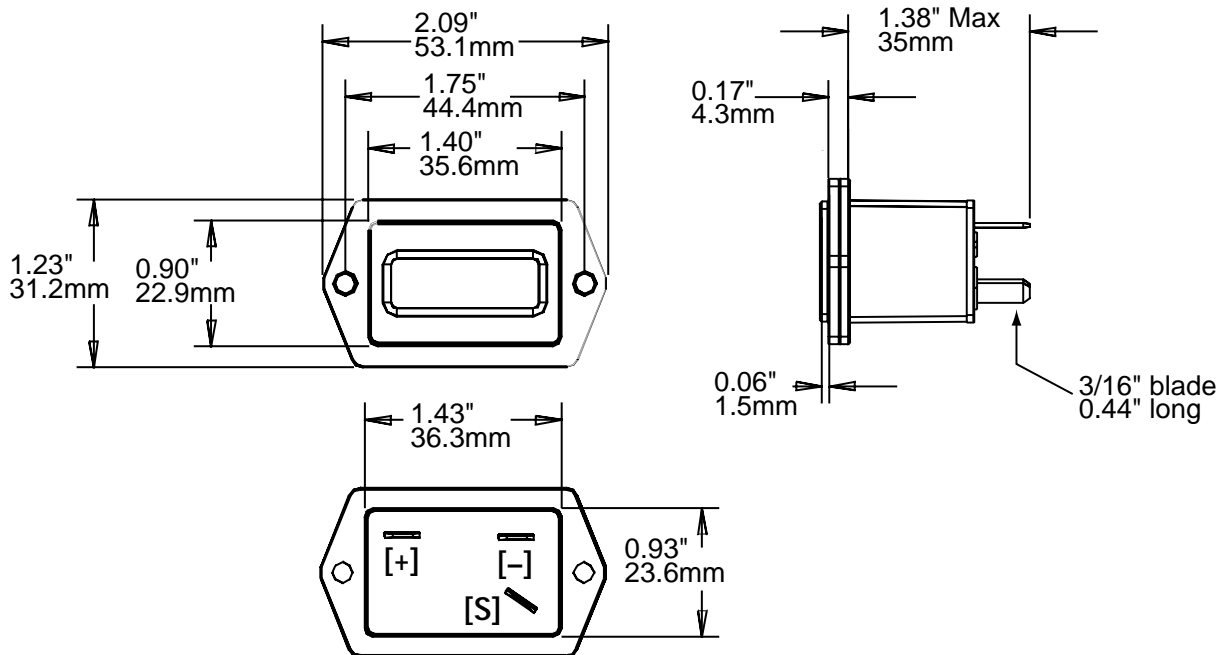
Terminal	Description
+V	+ (9-85 VDC)
-V	- (GND)
S	Start Input + (9-85VDC) Note: For two wire operation, connect +9-85VDC to "S" and - (GND) to "-V"

DIMENSIONS

CODE A: 1 - ROUND



CODE A: 2 - RECTANGULAR



ORDERING INFORMATION

EHM- [A] [B] [C] [D] [E] [F]	Code B: 0	Code C: 0	Code D: Logo	Code E: Termination	Code F: Voltage
Code A: Style	0	0	0 No Logo	1 Blade Terminals	2 9-85VDC
1 Round Hour Meter					
2 Rectangular Hour Meter			1 V-R Pad Print		

Example: EHM-100112 Round Veeder-Root hour meter with blade terminals 9-85VDC