



Temperature indicator with blazing bright, large display... changes color when reaches alarm value



The Veeder-Root brand S628 Temperature Indicator is a member of a family of 1/8 DIN instruments which offer breakthrough display technology as well as easy-to-program user setup. Its large LED display features the ability to change color based on process status such as exceeding an alarm value. Therefore, when monitoring temperature as a critical value, the S628 provides operators with an instant visual alert to changes in the application's status.

- AWESOME 0.71" high digit LED display (27% larger than other 1/8 DIN units)
- Programmable color change display based on an event
- Programmable help function and secondary legend display
- Field configurable alarm outputs
- Max. and min. value capture
- Plug in option cards include: 2nd relay, digital input, linear output, and RS-485 communication
- Accepts most standard thermocouple types and 3 & 4 wire RTDs
- Standard outputs: 2 NPN transistors & 1 relay (optional 2nd relay)
- 250 ms sample time with 0.1% accuracy
- CE approved

Selection of input type is done easily from the front panel. Programmable filtering is used to ensure an accurate display even in electrically noisy environments, while a programmable offset value can be used to correct for known errors in the process. The two alarms can be setup for high or low operation, reverse or direct acting, and can be latched.

SPECIFICATIONS

Sensor Input: B, J, K, N, S, and T thermocouples

- Accuracy: ±0.1% of span
- Sample Rate: 250 ms
- Resolution: 14 bits
- Sensor Break: Detected within 2 seconds

Control Inputs: Sourcing, Edge Sensitive

- Logic Low ≤ 2.0 VDC, Logic High ≥ 3.0
- Impedance: 4.7 KΩ to + voltage - Sourcing
- Response Time: 25 ms
- Function: Programmable

Outputs: Solid State: NPN open collector, 30 VDC max., 100 mA max.

- Relay: SPDT, 5A resistive@ 110 VAC
- Latency: 75 μ seconds, plus 8 ms for relay pull-in

Linear Outputs: 0-20mA, 4-20mA, 0-10V, 2-10V, 0-5V, 1-5V

- Accuracy: ±0.25% (mA at 250Ω, V at 2kΩ); degrades linearly to ±0.5%
- Resolution: 8 bits in 250ms (10 bits in 1s typ.)
- Update: Approximately 4/s
- Load Impedance: mA ranges: 500Ω max.; V ranges: 500Ω min.

Communication: RS-485; Serial asynchronous, UART to UART;

- Open ASCII: One start bit, even parity seven data bits, one stop bit;
- Baud Rate selectable from 9600, 4800, 2400, or 1200
- Maximum Zones: 99

Supply Voltage: 90-264 VAC, 50/60 Hz, or 20-50 VAC/VDC; 4 Watts

Accessory Power Supply: 24 VDC @ 30 mA

Display: Red/Green, 7 segment LED

- Primary display: 5 digits, 0.71" (18mm) height
- Secondary display: single digit, 0.3" (7mm) height
- Annunciators: Output 1 & Output 2 status

Dimensions: 48mm x 96mm, 110mm deep

Mounting: Panel mount (mounting bracket supplied), 45mm x 92mm cutout

Connections: Screw type terminals - combination head

Front Panel Rating: NEMA 4X/IEC IP65

Case Material: GE Lexan 940

Weight: 0.56 lbs.

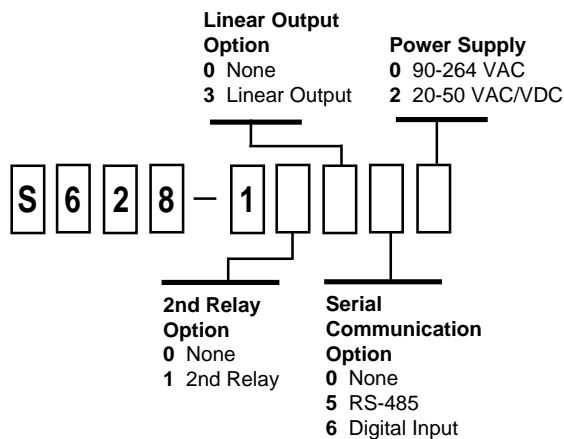
Operating Temp.: 0° to 55° Celsius, 32° to 131° Fahrenheit

Storage Temp.: -20° to 80° Celsius, -4° to 176° Fahrenheit

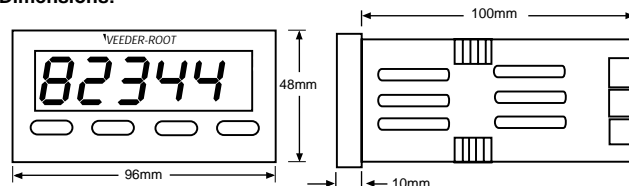
Relative Humidity: 20% to 95% non-condensing

Approvals: CE

Ordering Information:



Dimensions:



Panel Cutout: 45mm x 92mm (1.77" x 3.62")