

Full-featured position indicator with large, blazing bright, color-changing display... 2 alarm outputs



All in the family - Matching C628 series products in other sections of this catalog:

C628 Totalizers:	Section 1
C628 Rate Meters:	Section 4
C628 Elapsed Timers:	Section 5

The Veeder-Root brand C628 Position Indicator is a member of a family of 1/8 DIN instruments which offer breakthrough display technology as well as easy-to-program user setup. The large LED display features the ability to change color based on process status such as exceeding the high alarm value. Therefore, when monitoring actual position status or another critical value, the C628 provides operators with an instant visual alert to changes in the application's status.

- AWESOME 0.71" high digit LED display (27% larger than other 1/8 DIN units)
- Programmable color change display based on an event
- Programmable help function and secondary legend display
- High and low alarm outputs
- Optional linear output relative to position
- Accepts encoder inputs
- Reset to a value other than zero enables establishment of a home position
- Filter speed settable for 20, 200, or 10,000 Hz
- Standard Outputs: 2 NPN transistors & 1 relay (optional 2nd relay)
- Front panel reset enable and alarm lockout
- Optional RS-485 plug in card
- CE approved, UL, CUL recognized

The high and low alarms each activate an NPN output and a relay output. In addition, position information can be transferred to a PLC or computer via optional RS-485 serial or linear output boards.

SPECIFICATIONS

Count Inputs:

Quadrature
Frequency: 5 kHz max.
Logic Low \leq 2.0 VDC, Logic High \geq 3.0, 30V max.
Impedance: 4.7 K Ω to +Voltage - Sinking

Calibrator:

Multiplier 0.0001 to 9.9999

Control Inputs:

Sinking, Edge Sensitive
Logic Low \leq 2.0 VDC, Logic High \geq 3.0
Impedance: 4.7 K Ω to +Voltage
Response Time: 25 ms
Functions: Input 1 - Remote Reset; Input 2 - Security Lockout

Outputs:

Solid State: NPN open collector, 30 VDC max., 100 mA max.
Relay: SPDT, 2 amp resistive @ 110 VAC
Latency: 75 μ seconds, plus 8 ms for relay pull-in

Linear Outputs:

Ranges: 0-20mA, 4-20mA, 0-10V, 2-10V, 0-5V, 1-5V
Accuracy: $\pm 0.25\%$ (mA at 250 Ω , V at 2k Ω) degrades linearly to $\pm 0.5\%$
Resolution: 8 bits in 250ms (10 bits in 1s. typ.)
Load Impedance: mA ranges 500 Ω max.; V ranges 500 Ω min.
Update: Approx. 4/s

Communication:

RS-485; Serial asynchronous, UART to UART;
Open ASCII: One start bit, even parity seven data bits, one stop bit;
Baud Rate selectable from 9600, 4800, 2400, or 1200
Maximum Zones: 99

Supply Voltage: 90-264 VAC, 50/60 Hz, or 20-50 VAC/VDC; 4 Watts

Accessory Power Supply: 9-15 (unregulated VDC), 125 mA max.

Display: Red/Green, 7 segment LED

Primary display: 5 digits, 0.71" (18mm) height
Secondary display: single digit, 0.3" (7mm) height
Annunciators: Output 1 & Output 2 status

Dimensions: 48mm x 96mm, 110mm deep

Mounting: Panel mount (mounting bracket supplied), 45mm x 92mm cutout

Connections: Screw type terminals - combination head

Front Panel Rating: NEMA 4X/IEC IP65

Case Material: GE Lexan 940

Weight: 0.56 lbs.

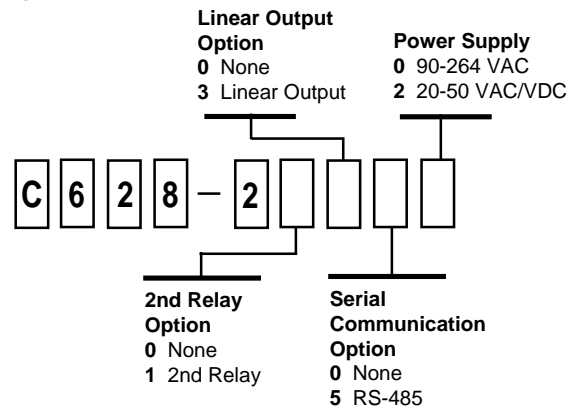
Operating Temp.: 0° to 55° Celsius, 32° to 131° Fahrenheit

Storage Temp.: -20° to 80° Celsius, -4° to 176° Fahrenheit

Relative Humidity: 20% to 95% non-condensing

Approvals: CE; UL, CUL recognized

Ordering Information:



Dimensions:

