



## AdaptaBeacon® Division 2 Strobes

**Diode Polarized  
NEMA Type 3R & 4 Rated**

**107DDV2(†)ST-G1 Series**

### FEATURES

- > Bracket, ceiling or pendant mount
- > Diode polarized for use in electrically supervised circuits
- > High impact glass dome
- > Dome guard (optional)
- > 65 flashes per minute

Edwards AdaptaBeacon Strobe Lights are designed for installation in Division 2 environments. Rigid specifications and state-of-the-art technology provide for high visual output and low maintenance. The units are UL Listed for Type 3R and Type 4 installations. Models are available for pendant, wall and ceiling mounting.

Designed for hazardous location installation on 3/4" (19mm) conduit. May be mounted in any orientation.

### AGENCY APPROVALS

- > UL 1638 and 1604 Listed
- > cUL Listed C22.2 No. 205
- > NEMA Type 3R & Type 4 Rated
- > UL Listed Class I, Div. 2

Typical industrial and commercial applications include: food processing plants, refineries, mines, tankers, laboratories, sewage treatment plants, water and filtration plants, and chemical plants.

† Insert "B" for bracket, "C" for ceiling, or "P" for pendant mount

D-04

3-88

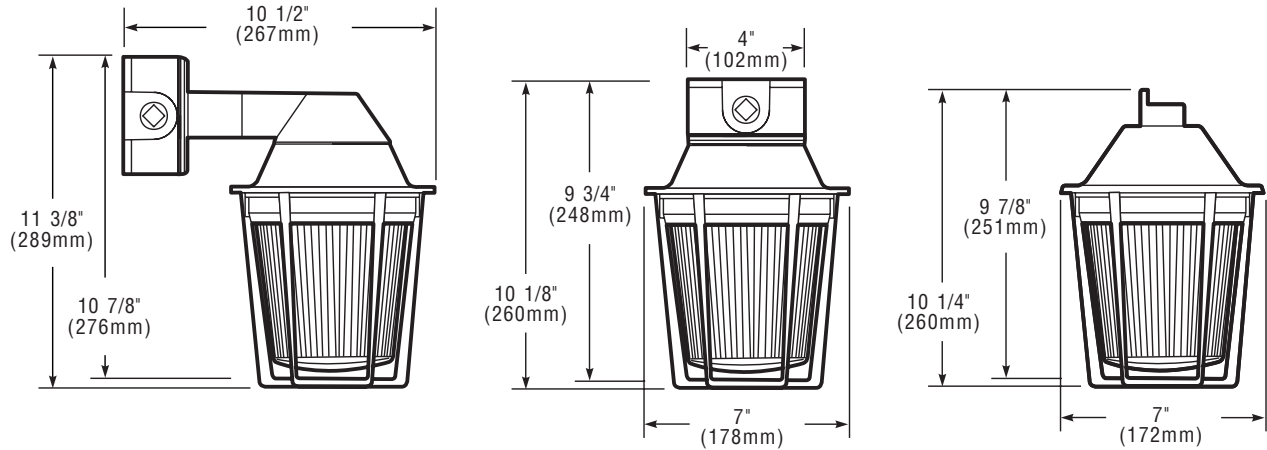
90 Fieldstone Court | Cheshire, CT 06410  
Ph: 203.699.3300 | Fx: 203.699.3108  
[www.edwards-signals.com](http://www.edwards-signals.com)



© Copyright 2004 Edwards



## TECHNICAL INFORMATION



Cat. No.	Lens Color	Mounting	Electrical Rating	Replacement Dome	Replacement Inner Lens	Optional Dome Guard	Replacement Strobe Tube	Peak Candlepower
107DDV2BSTR-G1	Red	Bracket	24V DC	EDVPG1HR	96-LR	EDVPGU1	92-ST	800,000
107DDV2BSTA-G1	Amber		1.4 Amp		96-LA		3,000 hr*	
107DDV2BSTB-G1	Blue				96-LB			
107DDV2BSTG-G1	Green				96-LG			
107DDV2BSTM-G1	Magenta				96-LM			
107DDV2BSTC-G1	Clear				96-LC			
107DDV2CSTR-G1	Red	Ceiling	24V DC	EDVPG1HR	96-LR	EDVPGU1	92-ST	800,000
107DDV2CSTA-G1	Amber		1.4 Amp		96-LA		3,000 hr*	
107DDV2CSTB-G1	Blue				96-LB			
107DDV2CSTG-G1	Green				96-LG			
107DDV2CSTM-G1	Magenta				96-LM			
107DDV2CSTC-G1	Clear				96-LC			
107DDV2PSTR-G1	Red	Pendant	24V DC	EDVPG1HR	96-LR	EDVPGU1	92-ST	800,000
107DDV2PSTA-G1	Amber		1.4 Amp		96-LA		3,000 hr*	
107DDV2PSTB-G1	Blue				96-LB			
107DDV2PSTG-G1	Green				96-LG			
107DDV2PSTM-G1	Magenta				96-LM			
107DDV2PSTC-G1	Clear				96-LC			

\*Calculated at operating power to 75% efficiency.

## HAZARDOUS LOCATION LISTINGS

Class	Division	Group	Ambient Temperature	Operating Temperature Code
I	2	A,B,C,D	104F (40C) 131F (55C) 149F (65C)	T2 (300C, 572F) T1 (450C, 842F) T1 (450C, 842F)
II**	1 and 2**		104F (40C)	T4A (120C, 248F)
III**	1 and 2**		131F (55C) 149F (65C)	T4 (135C, 275F) T3C (160C, 320F)

\*\*Pendant mount models only. Pendant mount models are also listed for use in Class II, Division 1, Groups E, F and G, Class II, Division 2, Groups F and G and Class III, Division 1 and 2 hazardous locations.

© Copyright 2004 Edwards



90 Fieldstone Court | Cheshire, CT 06410  
Ph: 203.699.3300 | Fx: 203.699.3108  
[www.edwards-signals.com](http://www.edwards-signals.com)

D-04

3-89