



AdaptaBeacon[®] Division 2 Fluorescent Lights

NEMA Type 3R

112DV2(†)FL-N5 Series

FEATURES

- > Pendant, ceiling or bracket mount
- > High impact glass dome
- > Dome guard (included)
- > Two twin tube compact fluorescent lamps (not included)

AGENCY APPROVALS

- > UL 1570 and 844 Listed
- > CSA C22.2 No. 137
- > NEMA Type 3R Rated

The Edwards 112 Series hazardous location AdaptaBeacon fluorescent lights are designed for installation in Division 2 environments. Two twin tube compact fluorescent lamps (not included) provide exceptional light output as well as energy efficiency and long life. Glass globes are internally fluted to provide complete dome volume "fill" and even light distribution. Globe exteriors are smooth to allow for easy cleaning. The units are UL Listed for Type 3R installations. Models are available for pendant, wall and ceiling mounting.

Designed for hazardous location installation on 3/4" (19mm) conduit.

Typical industrial and commercial applications include: food processing plants, refineries, mines, tankers, laboratories, sewage treatment plants, water and filtration plants, and chemical plants. Use in locations where enclosed and gasketed signals are required.

† Insert "B" for bracket, "C" for ceiling, or "P" for pendant mount

D-04

3-100

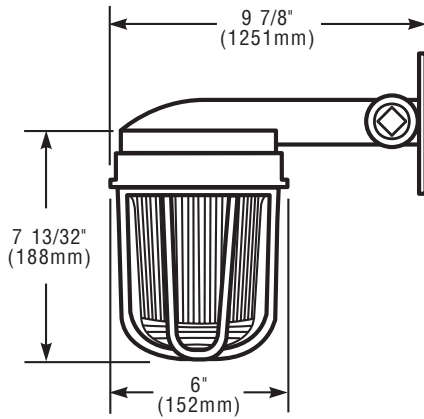
90 Fieldstone Court | Cheshire, CT 06410
Ph: 203.699.3300 | Fx: 203.699.3108
www.edwards-signals.com



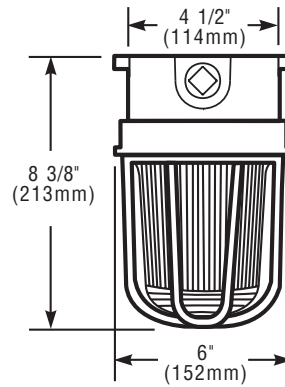
© Copyright 2004 Edwards



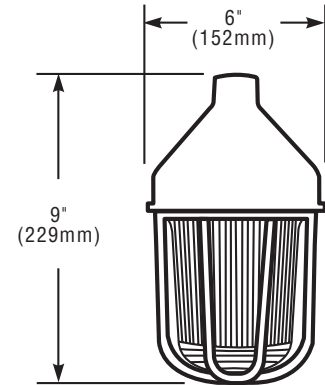
TECHNICAL INFORMATION



Bracket Mount



Ceiling Mount



Pendant Mount

Cat. No.	Globe Color	Mounting	Electrical Rating	Replacement Dome	Replacement Guard
112DV2BFLR-N5	Red	Bracket	120V 60 Hz	112-GR	112-Guard
112DV2BFLA-N5	Amber			112-GA	
112DV2BFLB-N5	Blue			112-GB	
112DV2BFLG-N5	Green			112-GG	
112DV2BFLC-N5	Clear			112-GC	
112DV2CFLR-N5	Red	Ceiling	120V 60 Hz	112-GR	112-Guard
112DV2CFLA-N5	Amber			112-GA	
112DV2CFLB-N5	Blue			112-GB	
112DV2CFLG-N5	Green			112-GG	
112DV2CFLC-N5	Clear			112-GC	
112DV2PFLR-N5	Red	Pendant	120V 60 Hz	112-GR	112-Guard
112DV2PFLA-N5	Amber			112-GA	
112DV2PFLB-N5	Blue			112-GB	
112DV2PFLG-N5	Green			112-GG	
112DV2PFLC-N5	Clear			112-GC	

HAZARDOUS LOCATION LISTINGS

Class	Division	Group	Ambient Temperature	Operating Temperature Code
I	2	A,B,C,D	104F (40C)	T3B (75C, 167F)

© Copyright 2004 Edwards



90 Fieldstone Court | Cheshire, CT 06410
 Ph: 203.699.3300 | Fx: 203.699.3108
www.edwards-signals.com

D-04

3-101