



## AdaptaBeacon® Flashing Light

**PLC Compatible**

### 50 Series

#### FEATURES

- > Weatherproof
- > 40 Watt Halogen lamp in 120V AC model; 20 Watt Halogen Lamp in 24V AC model
- > Cast base can be utilized as a junction box

#### AGENCY APPROVALS

- > UL 1638 Listed
- > cUL Listed

The Edwards 50 Series AdaptaBeacon flashing lights are designed to provide a bright visual indication utilizing special optics within a shatter resistant polycarbonate lens. The polycarbonate double fresnel lens ensures efficient light dispersion. This is accomplished with a series of complementing fresnels that cause the dome to "fill" when the light is operating. Beam distance is also increased with fresnel lenses. Lenses are available in six colors: red, amber, blue, green, magenta, and clear

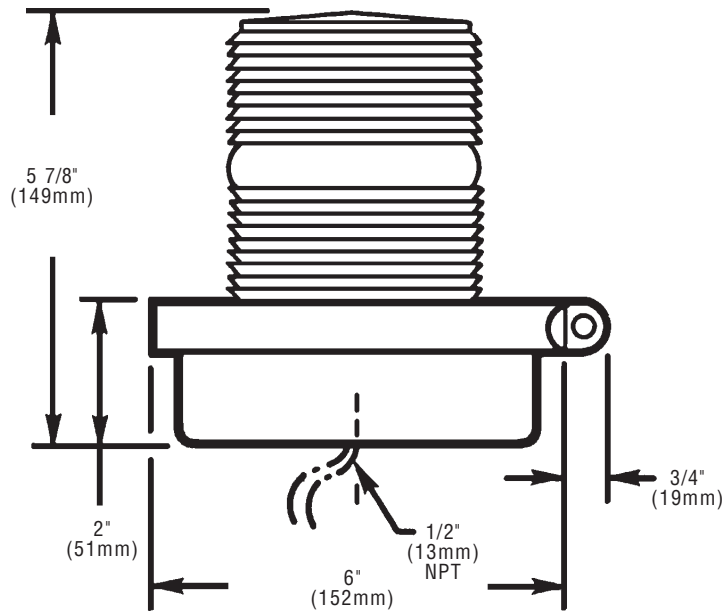
Designed for indoor or outdoor installation. May be direct, 1/2" (13mm) conduit, or box mounted on a 4" (102mm) octagon box. For weatherproof installation, units must be mounted vertically with lens facing up. May be corner mounted using the Cat. No. CBR, corner mount bracket, or wall mounted using the Cat. No. WBR, wall mount bracket. For additional protection against breakage, use Cat. No. 92-GRD lens guard. See Adaptabeacon Accessories, page 3-118.

Edwards flashing lights are particularly effective in high noise level areas, especially where ear protection must be worn and audible signals may not be heard or understood. They can advise personnel in manufacturing and process areas when an operation is starting or stopping. Often used to signal malfunctions in equipment, such as assembly line jams. Can warn personnel that they are entering a restricted area or an area of high danger.

D-04



## TECHNICAL INFORMATION



Cat. No.	Lens Color	Replacement Lens	Lamp Ratings	Replacement Flasher	Electrical Ratings	Replacement Lamp
50R-N5-40WH	Red	92-LR	40 watts	P-041917-0026	120V 50/60 Hz	50LMP-40WH
50A-N5-40WH	Amber	92-LA	265 lumens*		0.30 Amps	
50B-N5-40WH	Blue	92-LB	3328 candlepower			
50G-N5-40WH	Green	92-LG	25,000 hours**			
50M-N5-40WH	Magenta	92-LM				
50C-N5-40WH	Clear	92-LC				
50R-R5	Red	92-LR	25 watts	P-041917-0038	240V 50/60 Hz	P-041917-0039
50A-R5	Amber	92-LA	232 lumens*		0.10 Amps	Industry Trade No. 25T8/240V/DC/CL
50B-R5	Blue	92-LB	2914 candlepower			
50G-R5	Green	92-LG	120 hours**			
50M-R5	Magenta	92-LM				
50C-R5	Clear	92-LC				
50R-G5-20WH	Red	92-LR	20 watts	P-041917-0029	24V 50/60 Hz	50LMP-20WH
50A-G5-20WH	Amber	92-LA	226 lumens*		0.80 Amps	or
50B-G5-20WH	Blue	92-LB	2839 candlepower			Industry Trade
50G-G5-20WH	Green	92-LG	25,000 hours**			No. 1692
50M-G5-20WH	Magenta	92-LM				
50C-G5-20WH	Clear	92-LC				

\*Bulb manufacturer's lumen rating

\*\*Projected lamp life based on manufacturer's calculated long life at 65 FPM and 50% duty cycle.

## SIGNAL INPUT LOAD CHARACTERISTICS\*

Cat. No.	Operating Voltage	Max. off state leakage current (mA)	Continuous on Current (mA)	Surge (inrush/duration) Amps/milliseconds
50(-)-N5-40WH	120V AC 60 Hz	25	300	2/8

\*This device is PLC compatible and may be operated by PLCs with output characteristics that match the input load requirements of this signal.

© Copyright 2004 Edwards



90 Fieldstone Court | Cheshire, CT 06410  
 Ph: 203.699.3300 | Fx: 203.699.3108  
[www.edwards-signals.com](http://www.edwards-signals.com)

D-04

3-13