

Electronic Audible Signals System Speaker Amplifier Millennium Class



Millennium Class System Speaker Amplifiers have been designed for high decibel system operation when connected to the 5540M Central Tone Generator or 5541M System Master Panel.

The 5532M-485Y6 and 5532MHV-485Y6 are designed to be connected to RS485 networks, allowing full signaling communication control.

The 5532MD-70AW is a diode polarized units designed for use in applications requiring electrical supervision of signaling circuit field wiring.

Features and Specifications

- Output up to 120dB @ 1m (110dB @ 10ft.) (**5532M and 5532MD**)
- Output up to 123dB @ 1m (113dB @ 10ft.) (**5532MHV**)
- Corrosion resistant electrostatic heat flowed epoxy finish
- Individual volume control
- Suitable for Division 2 Locations
- Captive Components
- RS485 model available
- Diode Polarized models (**5532MD**)
- 24V DC battery backup terminals
- NEMA Type 3R and IP44 rated
- UL listed for Class 1, Div. 2, Groups A, B,C and D; Class II, Div. 2, Groups E and F; and Class III hazardous locations

Ordering Information

Description	Cat. No.	Operating Voltage ¹	Signal Off Standby Current (Amps)	Signal On Operating Current (Amps)
High Decibel	5532M-25Y6	120-240V AC	0.10 A	0.32-0.20 A
		125-250V DC	0.10-0.02 A	0.21-0.10 A
High Decibel	5532M-70Y6	120-240V AC	0.10 A	0.32-0.20 A
		125-250V DC	0.10-0.02 A	0.21-0.10 A
High Decibel, RS485	5532M-485Y6	120-240V AC	0.10 A	0.32-0.20 A
		125-250V DC	0.10-0.02 A	0.21-0.10 A
High Decibel, Diode Polarized	5532MD-10AW²	20-31V DC	0.10 A	0.63-1.0 A
		5532MD-70AW²	20-31V DC	0.10 A
High Decibel, RS485, 30 Watt	5532MHV-485Y6	120-240V AC	0.10 A	0.56-0.34 A
		125-250V DC	0.10 A	0.39-0.19 A

¹AC voltage frequency is 50/60 Hz.

²Red finish.

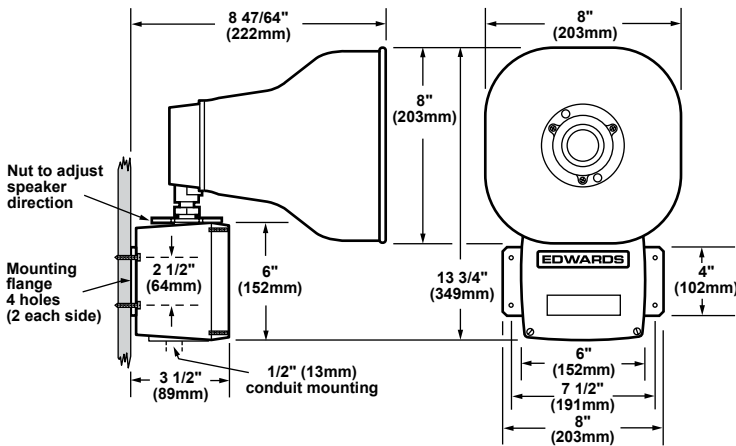


Electronic Audible Signals System Speaker Amplifier Millennium Class

Weights and Dimensions

Cat. No.	Approx. Net Weight (lb.)	Approx. Shipping Weight (lb.)
5532M-25Y6	10.60	13.20
5532M-70Y6	10.60	13.20
5532M-485Y6	10.60	13.20
5532MD-10AW	10.60	13.20
5532MD-70AW	10.60	13.20
5532MHV-485Y6	10.60	13.20

5532M and 5532MD Series



5532MHV Series

