



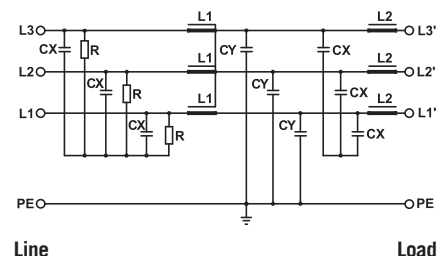
ELECTRIC CHARACTERISTICS	1200	1200 HV	
Nominal voltage	0/480	0/600	V _{Ac} - 50/60 Hz
Phase to phase test voltage	2200	2400	V _{Dc} (2 s)
Phase to ground test voltage	2900	3200	V _{Dc} (2 s)
Climatic class	- 40 / +85 °C		

RoHS

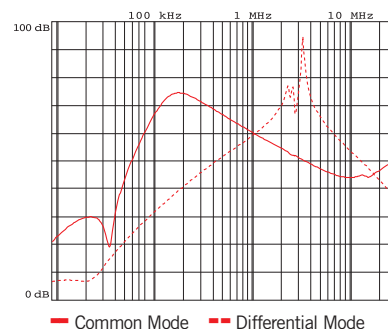
UL1283
CSA C22.2
E215863

FIN1200 FIN1200HV	Rated Current 40°C (50°C)	ΣCx (µF) ± 5%	Cy (nF) ± 5%	L1 (mH) ± 10%	L2 (µH) ± 10%	Power Loss (W)
.005.V	7 (5)	6.6	47	7	4	5
.010.V	12 (10)	6.6	47	5	4	7
.016.V	18 (16)	60	47	2	4	14
.030.V	34 (30)	60	47	2	4	11
.050.V	55 (50)	60	47	2	4	10
.080.V	85 (80)	60	47	1.8	4	35
.100.V	110 (100)	60	47	1.5	4	42
.150.V	160 (150)	60	47	1.3	2	74
.200.V	210 (200)	60	47	0.9	2	90
.250.V	272 (250)	60	47	0.7	2	90
.280.V	290 (280)	60	47	0.7	2	80
.280.BC	297 (280)	60	47	0.7	2	78
.320.BC	330 (320)	60	47	0.7	2	80
.360.BC	390 (360)	60	47	0.6	2	105
.400.BC	435 (400)	60	47	0.6	2	110
.500.BC	545 (500)	60	47	0.55	2	102
.600.BC	654 (600)	60	47	0.55	2	108
.750.BC	800 (750)	60	47	0.5	2	96
.900.BC	940 (900)	60	47	0.5	2	80
.1000.BC	1050 (1000)	60	47	0.45	2	115
.1250.BC	1290 (1250)	60	47	0.45	2	101
.1500.BC	1550 (1500)	60	47	0.4	2	120
.1600.BC	1650 (1600)	60	47	0.4	2	130
.1750.BC	1800 (1750)	60	47	0.4	2	135
.2000.BC	2040 (2000)	60	47	0.38	2	138
.2250.BC	2290 (2250)	60	47	0.38	2	145
.2500.BC	2535 (2500)	60	47	0.38	2	170
.3000.BC	3050 (3000)	60	47	0.38	2	180

ELECTRIC DIAGRAM



TYPICAL ATTENUATION



— Common Mode - - - Differential Mode

Total leakage current at 230 V phase to ground 50 Hz / 40°C

Nominal <3mA
Worst condition <10mA

Vertical bus-bar connections available upon request

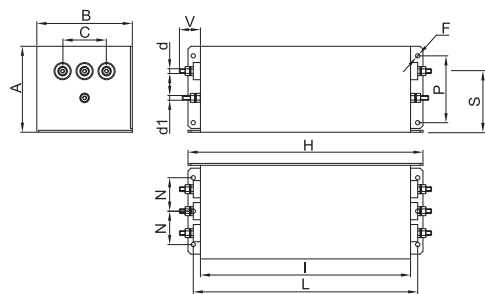
MECHANICAL DIMENSIONS (mm)

FIN1200 FIN1200HV	A	B	C	d2	d3	V	F	H	I	L	N	P	S	Weight Kg	Case
.005.V	58	86	44	-	-	14	4.5	186	160	176	30	40	38	2	1
.010.V	58	86	44	-	-	14	4.5	186	160	176	30	40	38	2	1
.016.V	90	100	46	-	-	28	4.5	246	220	235	35	70	64	3	2
.030.V	90	100	46	-	-	28	4.5	246	220	235	35	70	64	3	2
.050.V	90	100	46	-	-	28	4.5	246	220	235	35	70	64	3	3
.080.V	90	185	84	-	-	25	6.5	356	320	340	77.5	70	69	5	4
.100.V	90	185	84	-	-	25	6.5	356	320	340	77.5	70	69	5	4
.150.V	90	220	120	-	-	29	6.5	356	320	340	95	70	60	7	5
.200.V	90	220	120	-	-	29	6.5	356	320	340	95	70	60	7	5
.250.V/.280.V	90	220	120	-	-	30	6.5	356	320	340	95	70	60	9	6
.280.BC/.320.BC	90	220	120	6	20	42	6.5	356	320	340	95	70	55	9	7
.360.BC	130	230	150	10	25	42	6.5	420	380	400	100	100	85	13.5	8
.400.BC	130	230	150	10	25	42	6.5	420	380	400	100	100	85	13.5	8
.500.BC	130	230	150	10	25	42	6.5	420	380	400	100	100	85	13.5	8
.600.BC/.750.BC	130	230	150	15	30	48	6.5	510	450	480	100	100	85	19	9
.900.BC	160	250	140	20	40	94	8.5	510	450	480	100	110	110	27	10
.1000.BC	160	250	140	20	40	94	8.5	510	450	480	100	110	110	27	10
.1250.BC	160	250	140	20	40	94	8.5	510	450	480	100	110	110	27	10
.1500.BC	180	300	200	20	60	97	8.5	560	500	530	125	130	117	30	11
.1600.BC	180	300	200	20	60	97	8.5	560	500	530	125	130	117	30	11
.1750.BC	180	300	200	20	60	97	8.5	560	500	530	125	130	117	30	11
.2000.BC	225	350	200	25	80	100	8.5	610	550	580	150	-	112.5	68	12
.2250.BC	225	350	200	25	80	100	8.5	610	550	580	150	-	112.5	68	12
.2500.BC	225	350	200	25	80	100	8.5	610	550	580	150	-	112.5	68	12
.3000.BC	225	350	200	25	80	100	8.5	610	550	580	150	-	112.5	68	12

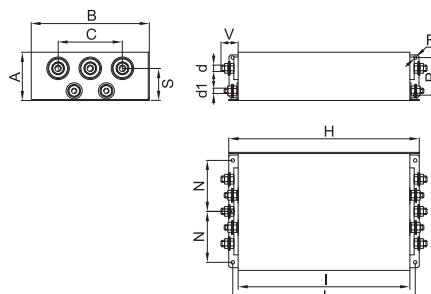
CONNECTION

d (mm)	Line Torque (Nm)	d1(mm)	Ground Torque (Nm)
M4	1.2	M4	1.2
M4	1.2	M4	1.2
M5	4	M5	4
M5	4	M5	4
M6	6	M5	4
M8	14	M8	14
M8	14	M8	14
M10	18	M10	18
M10	18	M10	18
M12	20	M10	18
M8	14	M10	18
M8	14	M10	18
M8	14	M10	18
M10	25	M10	18
M12	50	M12	20
M12	50	M12	20
M12	50	M12	20
M12	50	M12	20
M12	50	M12	20
M12	50	M12	20
M12	50	M12	20
M12	50	M12	20
M12	50	M12	20
M12	50	M12	20

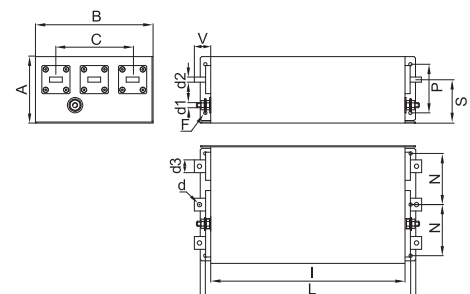
CASE 1/2/3/4



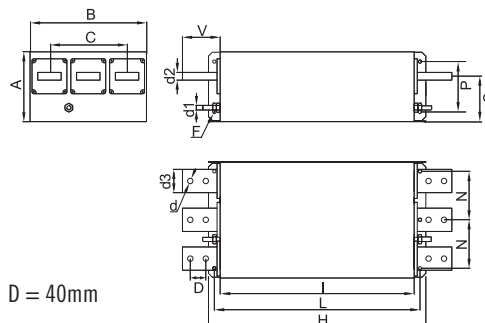
CASE 5/6



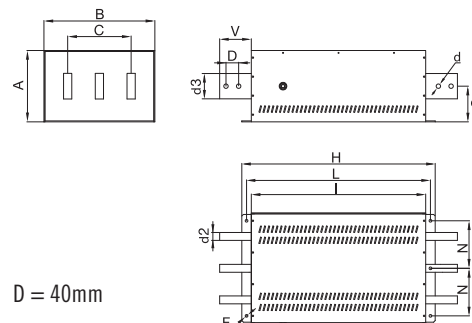
CASE 7/8/9



CASE 10/11



CASE 12



Vertical bus-bar connections
available upon request