



ELECTRIC CHARACTERISTICS

Nominal voltage	0/250 V _{Ac} - 50/60 Hz
Phase to phase test voltage	1750 V _{Dc} (2 s)
Phase to ground test voltage	2150 V _{Dc} (2 s)
Climatic class	- 40 / +85 °C

RoHS

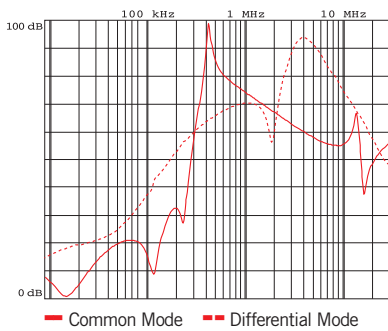
FIN50	Rated Current 40°C	C _x (μF)	R (kΩ)	L1 (mH)	Cy1 (nF)	Cy1 (nF)	L2 (mH)	Power Loss (W)
.005.F	5	0.22	680	1.2	4.7	4.7	1	2
.010.F	10	0.22	680	1	4.7	4.7	0.8	2
.016.F	16	0.22	680	0.8	4.7	4.7	0.6	5
.024.M	24	0.22	680	0.8	4.7	4.7	0.6	5

Leakage current at 230 V phase to ground- 50 Hz / 40°C < 2.2mA

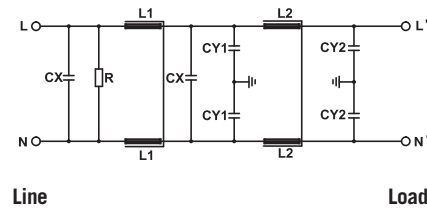
MECHANICAL DIMENSIONS (mm)

FIN50	A	B	H	N	F	L	I	V	d	Weight Kg	Case
.005.F	39	51	84.5	—	4.5	74.5	63.5	13.5	6.5	0.2	1
.010.F	49.5	51	97	—	4.5	86.5	75.5	13.5	6.5	0.35	2
.016.F	45	84.5	105	95	6x4	51	99.5	13.5	6.5	0.7	3
.024.M	49.5	84.5	105	95	6x4	51	99.5	13	—	0.93	4

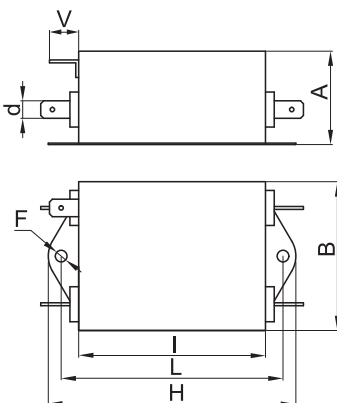
TYPICAL ATTENUATION



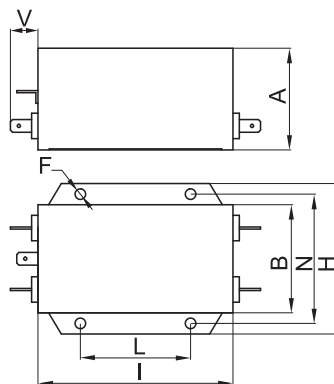
ELECTRIC DIAGRAM



CASE 1/2



CASE 3



CASE 4

