

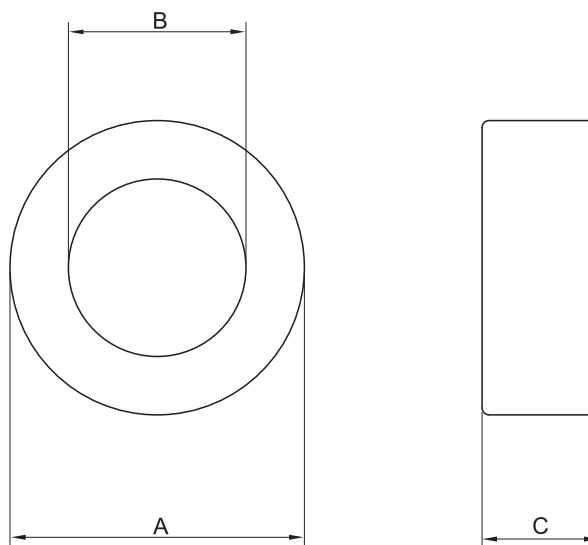
TOROIDS

TECHNICAL CHARACTERISTICS

FINTR	Permeability μ
.3600	5000
.4900	10000
.6300	10000
.10000	5500
.140000	5500

MECHANICAL DIMENSIONS (mm)

FINTR	A	B	C
.3600	37	22	16
.4900	49	34	16
.6300	63	38	25
.10000	102	66	15
.140000	140	106	25

CASE

FERRITE
TECHNICAL CHARACTERISTICS

FINFE	Permeability μ
.13	1000 \pm 25%

MECHANICAL DIMENSIONS (mm)

FINFE	A	B	C	D
.13	31	32	13	33

CASE
