

Vitalite® Rotating Warning Light

Models 121A



LIGHT DUTY VEHICULAR LIGHT

- Available in 24VDC
- Five dome colors
- Integrated pipe and surface mount
- Type 4X, IP66 enclosure
- UL and cUL Listed and CSA Certified

The Federal Signal Vitalite® Model 121A is compact, rotating light featuring a parabolic reflector that rotates around an incandescent lamp, providing 60 flashes per minute in all directions. Model available in five dome colors — Amber, Blue, Clear, Green and Red.

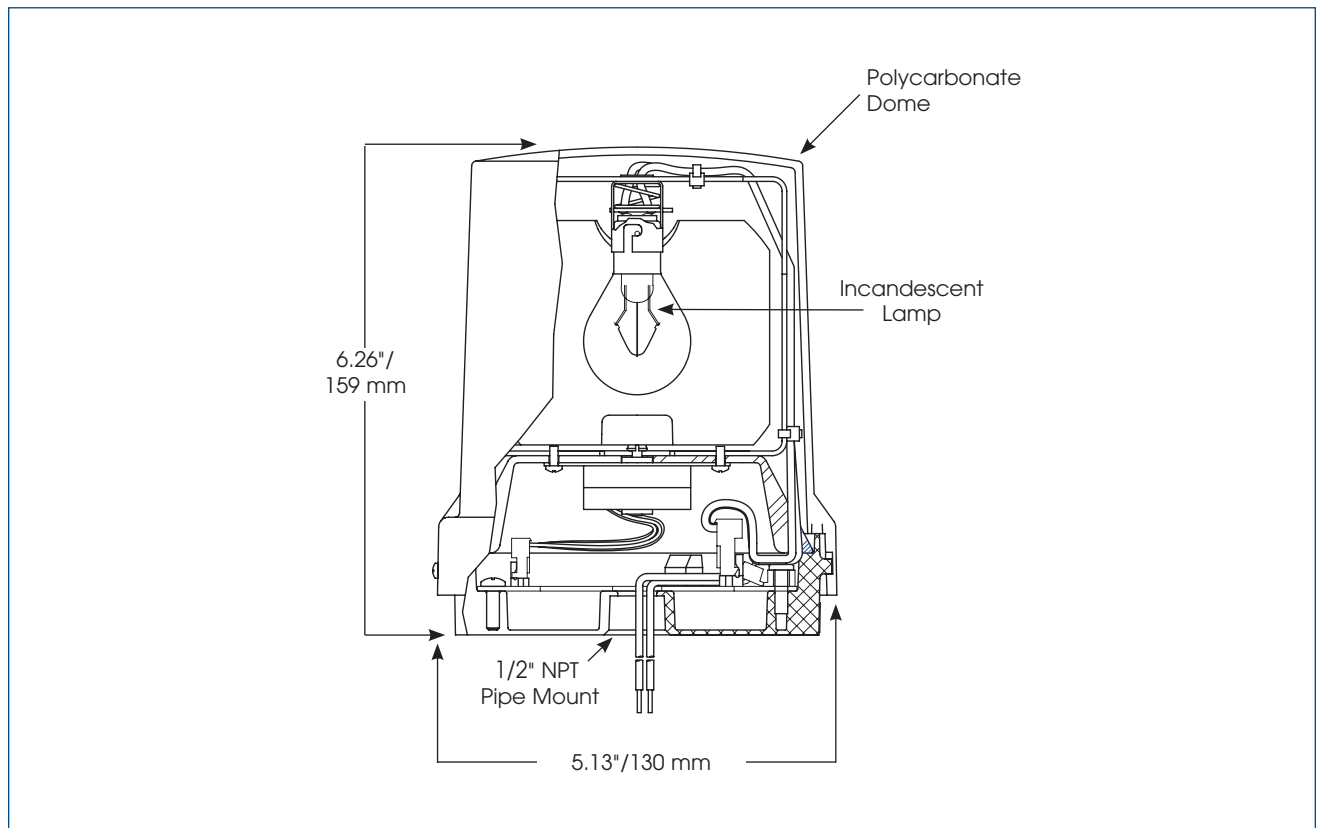
The 121A rotating light is designed for in-plant applications. This unit can be surface mounted or mounted on a 1/2" NPT pipe with the integrated pipe mount. The 121A is available in 24VDC. The enclosure is also rated Type 4X for a water tight and dust tight seal.

Model	Voltage	Operating Current	Flash Rate/ Minute	Candela	Mount
121A-024 *	24VDC	1.3 amps	60	4,000	Pipe/Surface

* Indicates color: (A) Amber, (B) Blue, (C) Clear, (G) Green or (R) Red



VITALITE® ROTATING WARNING LIGHT (121A)



SPECIFICATIONS

Lamp Life:	300 Hours	300 Hours
Light Source:	Incandescent	Incandescent
Operating Temperature:	-31°F to 150°F	-35°C to 66°C
Net Weight:	1.8 lbs.	0.79 kg
Shipping Weight:	1.9 lbs.	0.86 kg
Height:	6.26"	159.0 mm
Diameter:	5.13"	130.0 mm

HOW TO ORDER

- Specify model, voltage and color
- Optional Accessories:
Corner Bracket (LCMB2)
Wall Bracket (LWMB2)
- Please refer to Model Number Index 121A beginning on page 369

REPLACEMENT PARTS

<u>Description (Current Series)</u>	<u>Part Number</u>	<u>Description</u>	<u>Part Number</u>
Dome, Amber, Series C	K8444357A-02	Dome, Red	K8444357A-03
Dome, Blue, Series C	K8444357A-01	Incandescent Lamp, 24VDC	K8107236A
Dome, Clear, Series C	K8444357A	Motor, Stepper	K8444382A
Dome, Green, Series C	K8444357A-04	PC Board Assembly	K2001927A
Dome, Magenta, Series C	K8444357A-05		

Series A & B Domes on page 33