

Hazardous Location Warning Light

Model 151XST



RUGGED DESIGN FOR USE IN HAZARDOUS LOCATIONS

- Available in 12-24VDC, 120VAC and 240VAC
- Five dome colors
- 10,000-hour high-intensity strobe
- Available in 3/4-inch NPT pipe mount or surface mount
- Dome guard included
- Indoor/outdoor use
- Type 4X, IP66 enclosure
- Marine rated
- UL and cUL Listed and CSA Certified

Federal Signal's Model 151XST hazardous location strobe light provides 80 high-intensity flashes per minute. This warning light is available in 12-24VDC, 120VAC and 240VAC, 50/60Hz.

The Model 151XST strobe light is UL Listed and CSA Certified for Class I, Division 2, Groups A, B, C and D; Class II, Division 1, Groups E, F and G; and Class III.

The 151XST meets Type 4X water-tight, dust-tight, and corrosion-resistant requirements and is constructed to IP66. This hazardous location warning light has an aluminum base, coated for corrosion-resistance, that can be ordered for mounting on a 3/4-inch NPT pipe or a surface. The Dome Guard (included) fits over the glass dome to protect it against accidental collision with moving equipment, such as forklifts.

The 151XST produces 165 effective candela (ECP) and 520,000 peak candela. It is available in five dome colors including Amber, Blue, Clear, Green and Red.

Federal Signal's rugged 151XST strobe warning light is specifically designed for hazardous locations or corrosive environments where a very bright visual signal is required. This warning light can be used for plant evacuation or other communication needs.

| Model | Voltage | Operating Current | Flash Rate/ Minute | Candela Peak ¹ | ECP ² | Mount |
|--|----------------|-------------------|--------------------|---------------------------|------------------|---------------|
| 151XST- <u>1012-024</u> - ² | 12-24VDC | 1.3-0.60 amps | 80 | 520,000 | 165 | 3/4" NPT Pipe |
| 151XST- <u>1120</u> - ² | 120VAC 50/60Hz | 0.35 amps | 80 | 520,000 | 165 | 3/4" NPT Pipe |
| 151XST- <u>1240</u> - ² | 240VAC 50/60Hz | 0.18 amps | 80 | 520,000 | 165 | 3/4" NPT Pipe |

¹Include (S) Surface Mount

²Indicates color: (A) Amber, (B) Blue, (C) Clear, (G) Green or (R) Red

Hazardous Location Rating:

T-Code at Maximum Ambient Temperature, °C

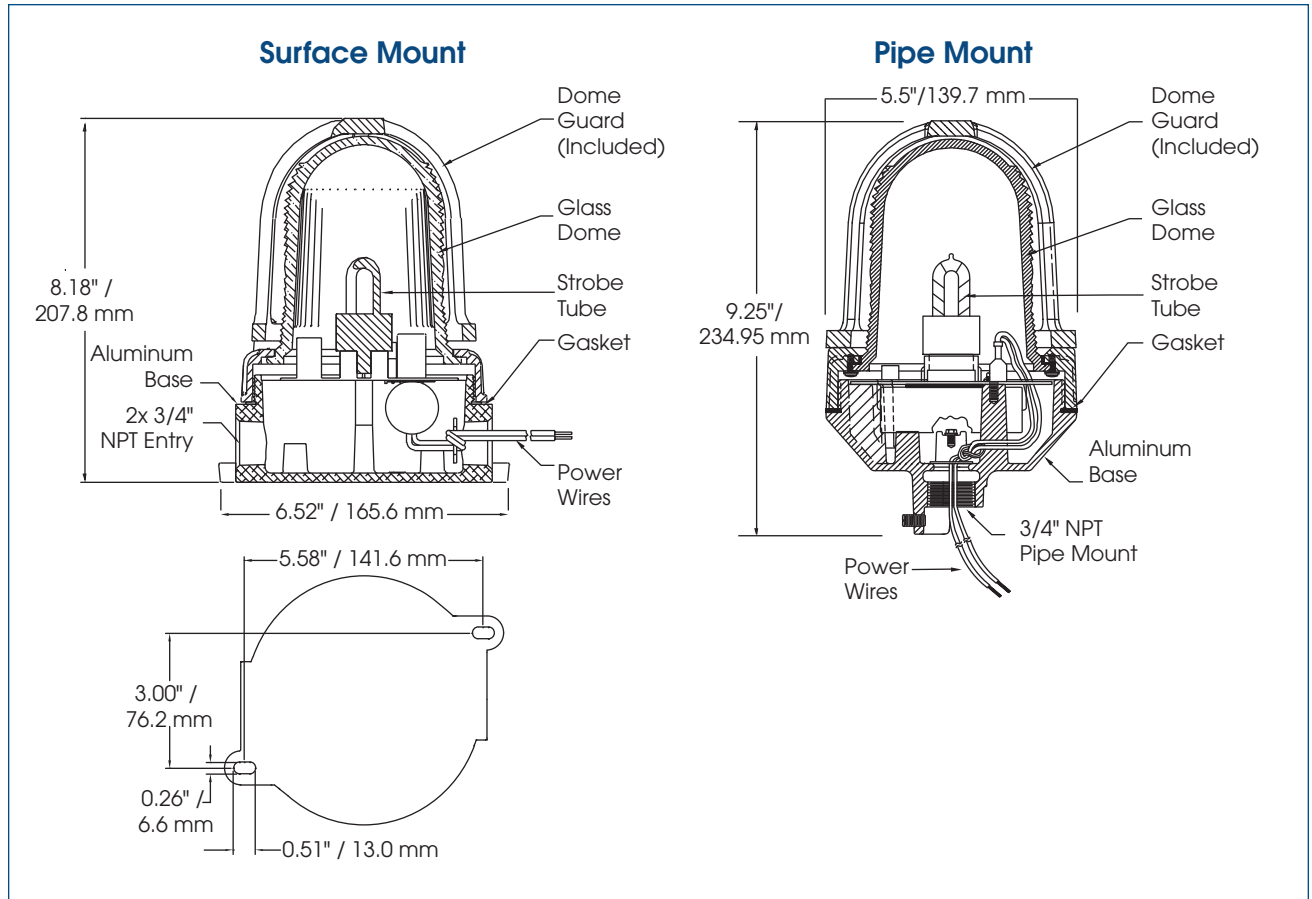
| Hazardous Location | 66°C |
|------------------------------------|----------|
| Class I, Div 2, Groups A, B, C & D | T2B/300° |
| Class II, Div 1, Groups E, F & G | T5/100° |
| Class III | T5/100° |

¹ Peak candela is the maximum light intensity generated by a flashing light during its light pulse

² ECP (Effective Candela) is the intensity that would appear to an observer if the light were burning steadily



HAZARDOUS LOCATION STROBE LIGHT (151XST)



SPECIFICATIONS

| | | |
|------------------------|----------------|-----------------|
| Lamp Life: | 10,000 Hours | 10,000 Hours |
| Light Source: | Strobe tube | Strobe tube |
| Operating Temperature: | -67°F to 150°F | -55°C to 65.6°C |
| Net Weight: | 3.8 lbs. | 1.7 kg |
| Shipping Weight: | 4.5 lbs. | 2.0 kg |
| Height: | 9.25" | 234.95 mm |
| Diameter: | 5.5" | 139.7 mm |

HOW TO ORDER

- Specify model, mount, voltage and color
- Optional Accessories:
Hazardous Location Mounting Bracket (LHWB)
- Please refer to Model Number Index 151XST beginning on page 372

REPLACEMENT PARTS

| <u>Description</u> | <u>Part Number</u> | <u>Description</u> | <u>Part Number</u> |
|---------------------------------|--------------------|-----------------------|--------------------|
| Series C Dome and Ring Assembly | | PC Assembly, 12-24VDC | K2001173A |
| Dome and Ring Assembly, Amber | K8449078C-01 | PC Assembly, 120VAC | K2001071B |
| Dome and Ring Assembly, Blue | K8449078C-06 | PC Assembly, 240VAC | K2001071B-01 |
| Dome and Ring Assembly, Clear | K8449078C-04 | Strobe Tube | K149122B |
| Dome and Ring Assembly, Green | K8449078C-07 | Dome Gaskets | K8449080B |
| Dome and Ring Assembly, Red | K8449078C | Guard | K8449090B |