



Flashing LED Hazardous Location Warning Light with XLT™

Model 191XL

RUGGED DESIGN FOR USE IN HAZARDOUS LOCATIONS

- XLT™ Technology
- Available in 24VAC/DC, 120-240VAC and 277VAC
- Five lamp/lens colors
- Flashing mode standard, configurable to Steady-burn
- 60,000 hour, vibration resistant LED lamp
- Available in 3/4-inch NPT pipe mount or surface mount
- Dome guard included
- Type 4X, IP66 enclosure, Marine Listed
- UL and cUL Listed

The model 191XL is a hazardous location flashing signal light that features the super bright LED array with XLT™, eXtreme Light Technology. The unit is available in 24VAC/DC, 120VAC or 240VAC and five colors: Amber, Blue, Clear, Green, and Red. The 191XL comes standard in flashing mode and is field configurable to steady burn mode for maximum functionality.

The Model 191XL has been certified by UL as meeting Type 4X water-tight and corrosion-resistant requirements, and IP66 rated. This hazardous location warning light has an aluminum base, coated for corrosion-resistance, that can be ordered. A dome guard fits over the glass dome to protect it against accidental collision with moving equipment, such as a forklift.

Federal Signal's super bright LED array used in the 191XL produces intense light output and 60,000 hours of service. Increased shock and vibration resistance add to this unit's rugged industrial portfolio of features.

The 191XL is UL Listed for Class I, Division 2, Groups A, B, C and D; Class II Division 1, Groups E, F and G; and Class III.

Model	Voltage	Operating Current	In-rush Current	Flash Rate/Minute	Mount
191XL-1024 ²	24VAC/DC	0.38 amps	1.75 amps, 5.0 mS	60	3/4" NPT Pipe
191XL-1120-240 ²	120/240VAC	0.21/0.13 amps	2.0 amps, 0.25 mS	60	3/4" NPT Pipe
191XL-1277 ²	277VAC	0.13 amps	9.75 amps, 0.25mS	60	3/4" NPT Pipe



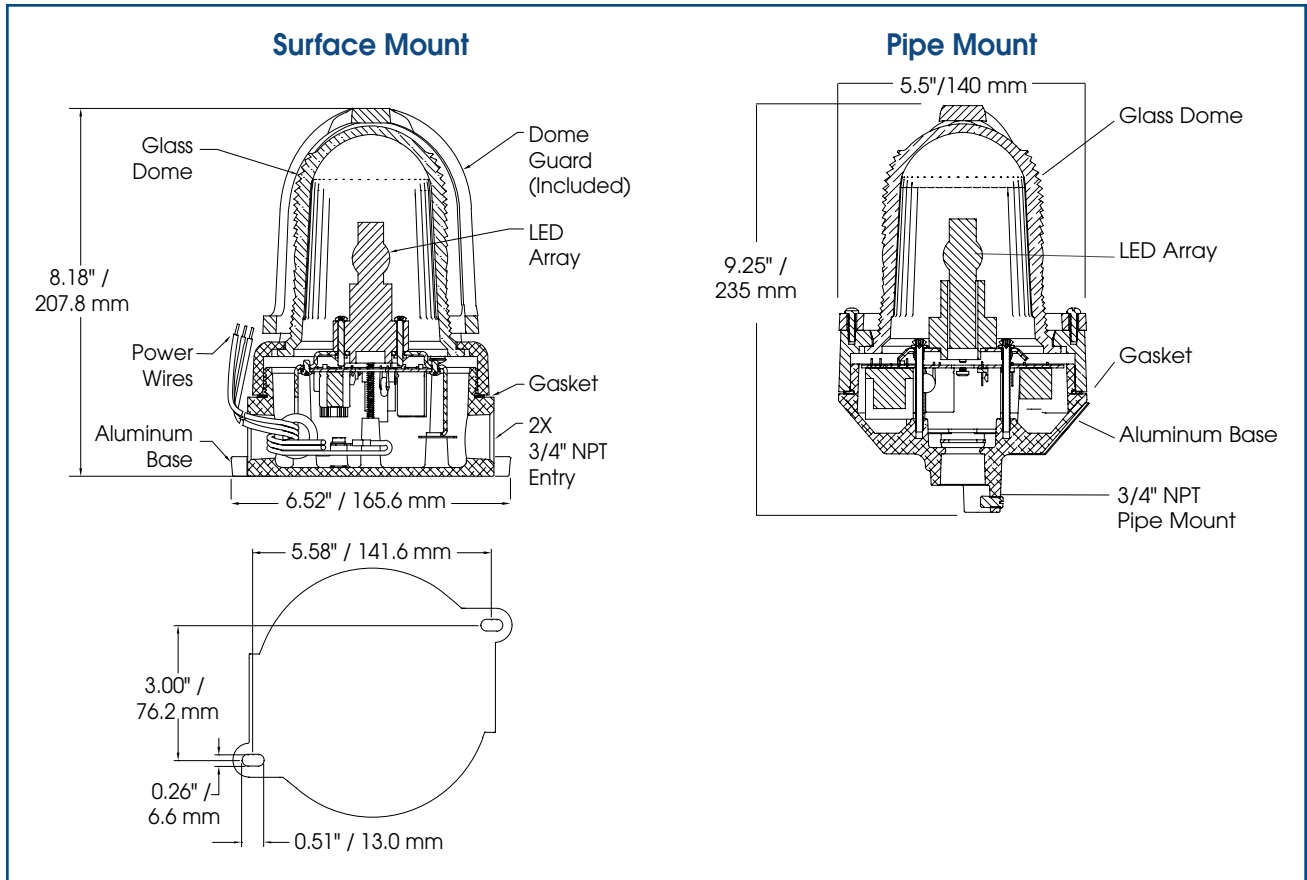
¹Include (S) Surface Mount

²Indicates color: (A) Amber, (B) Blue, (C) Clear, (G) Green or (R) Red

Hazardous Location Rating:

Hazardous Location	T-Code at Maximum Ambient Temperature, °C								
	40°C			55°C			66°C		
	24V	100-265VAC	277VAC	24V	100-265VAC	277VAC	24V	100-265VAC	277VAC
Class I, Div 2, Groups A, B, C, D	T6	T6	T5	T5	T5	T5	T4A	T4A	T5
Class II, Div 1, Groups E, F and G	T6	T6	T5	T6	T6	T5	T6	T6	T5
Class III	T6	T6	T5	T6	T6	T5	T6	T6	T5

HAZARDOUS LOCATION LED WARNING LIGHT (191XL)



SPECIFICATIONS

Lamp Life:	60,000 Hours	60,000 Hours
Light Source:	LED Array	LED Array
Operating Temperature:	-58°F to 150°F	-50°C to 66°C
Net Weight:	4.0 lbs.	1.82 kg
Shipping Weight:	4.25 lbs.	1.93 kg
Height (with Dome Guard):	9.25"	235.0 mm
Diameter:	5.5"	140.0 mm

HOW TO ORDER

- Specify model, mount, voltage, and color
- Optional Accessories:
Hazardous Location Mounting Bracket (LHWB)
- Please refer to Model Number Index 191XL beginning on page 370

REPLACEMENT PARTS

<u>Description</u>	<u>Part Number</u>	<u>Dome and Ring Assembly</u>	
PC Board Assembly, 24VDC	K2005455A	Glass Dome/Ring Assembly, Amber	K8449078C-01
PC Board Assembly, 120/240VAC	K2005416A	Glass Dome/Ring Assembly, Blue	K8449078C-06
PC Board Assembly, 277VAC	K2005416A-01	Glass Dome/Ring Assembly, Clear	K8449078C-04
LED array, Amber	K147169A-06	Glass Dome/Ring Assembly, Green	K8449078C-07
LED array, Blue	K147169A-07	Glass Dome/Ring Assembly, Red	K8449078C
LED array, Clear	K147169A-10	Gasket	K8449080B
LED array, Green	K147169A-08	Guard	K8449090B
LED array, Red	K147169A-09		