



SelectTone® Audible Signaling Device

Model 300, Series A1

DC STAND-ALONE TONE SIGNALING WITH DC OPERATING VOLTAGE

- Available in 12VDC and 250VDC
- Compatible with Federal Signal UTM Tone Module
- Produces 110dBa @ 10' (120dBa @ 1m)
- Type 3R enclosure
- Indoor/outdoor use
- UL and cUL Listed

The Federal Signal SelectTone® Model 300 is a lightweight and compact, solid-state audible signaling device designed to amplify a pre-selected tone over existing ambient noises. The speaker cone and projector are made of spun aluminum. The internal amplifier circuitry and tone module are contained in a housing of die-cast aluminum. Dust- and moisture-proof gasketing provides protection from the elements. All external components are sealed with gray enamel paint.

The Model 300 is designed for applications which have 12, or 250VDC power supplies. The 250VDC version is UL and cUL Listed and CSA Certified. All models are rated Type 3R for indoor/outdoor use.

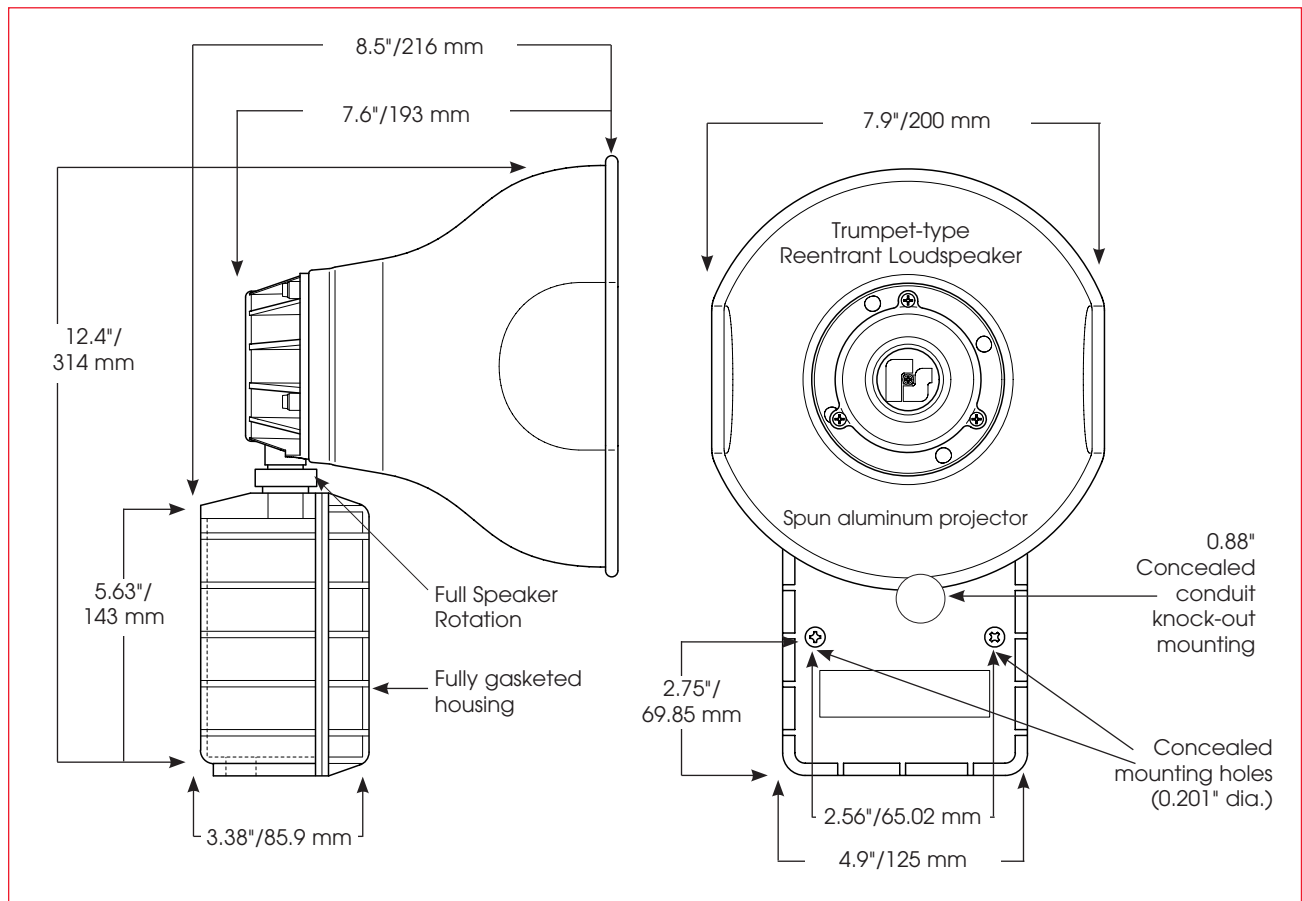
The Model UTM (Universal Tone Module) is used with this device to generate one of 32 tones. The Model 300 is designed to be used as a stand-alone, full output unit and cannot be used with a SelectTone Command Unit (public address is not possible).

Model 300 speaker/amplifiers are ideally suited for full output tone signaling where voice paging is not a requirement. Typical applications include emergency warning, start and dismissal, general alarm, smelters and cranes.

Model	Voltage	Operating Current	Standby Current	Decibels @	
				10'	1m
300-012	12VDC	1.25 amps	N/A	110	120
300-250	250VDC	0.72 amps	N/A	110	120



SELECTONE® AUDIBLE SIGNALING DEVICE (300)



SPECIFICATIONS

Operating Temperature:	-31°F to 161°F	-35°C to 72°C
Net Weight:	5.0 lbs.	2.3 kg
Shipping Weight:	6.1 lbs.	2.8 kg
Height:	12.4"	314.0 mm
Width:	7.9"	200.0 mm
Depth:	8.5"	216.0 mm

HOW TO ORDER

- Specify model number and voltage
- Specify Tone Module (sold separately) Universal Tone Module (UTM)
- Please refer to Model Number Index 300 beginning on page 375

REPLACEMENT PARTS

<i>Description</i>	<i>Part Number</i>
Amplifier, 12VDC	K200B467
Amplifier, 250VDC	K2001903B
Voice Coil	K8593035A
Speaker Assembly	K8593082A