



# SelectTone® Hazardous Location Audible Signaling Device

Models 304GCX and 314GCX

## DESIGNED FOR USE IN HAZARDOUS LOCATIONS

- Available in 24VDC
- Reliable, solid-state circuitry
- Built-in gain control
- Digital signal amplification
- Fused input and output
- Type 4X enclosure
- External mounting tabs
- 4-wire supervisable power circuit
- UL Listed and CSFM Approved

Federal Signal Models 304GCX and 314GCX Hazardous Location Amplified Speakers are designed to produce crisp, clear tones in supervised alarm notification systems. Both speakers amplifiers are compatible with fire alarm, voice evacuation, suppression supervised control panels and power boosters.

These amplified speakers can broadcast tones generated by a Tone Card installed into the speaker (the plug-in 32-tone UTM) or by a central tone source in a voice evacuation or paging system. When live public address or voice messages are required, plug-in Connector Cards (AM25CK or AM70CK) interface with the audio output of the EVAC panel.

The speaker cone and projector are constructed of rugged spun aluminum. The solid-state amplifier circuit is protected in a die-cast aluminum housing. Dust and moisture-proof gaskets provide protection from the elements. All external surfaces are sealed with gray powder coat paint. The 304GCX and 314GCX are easily installed with external mounting tabs.

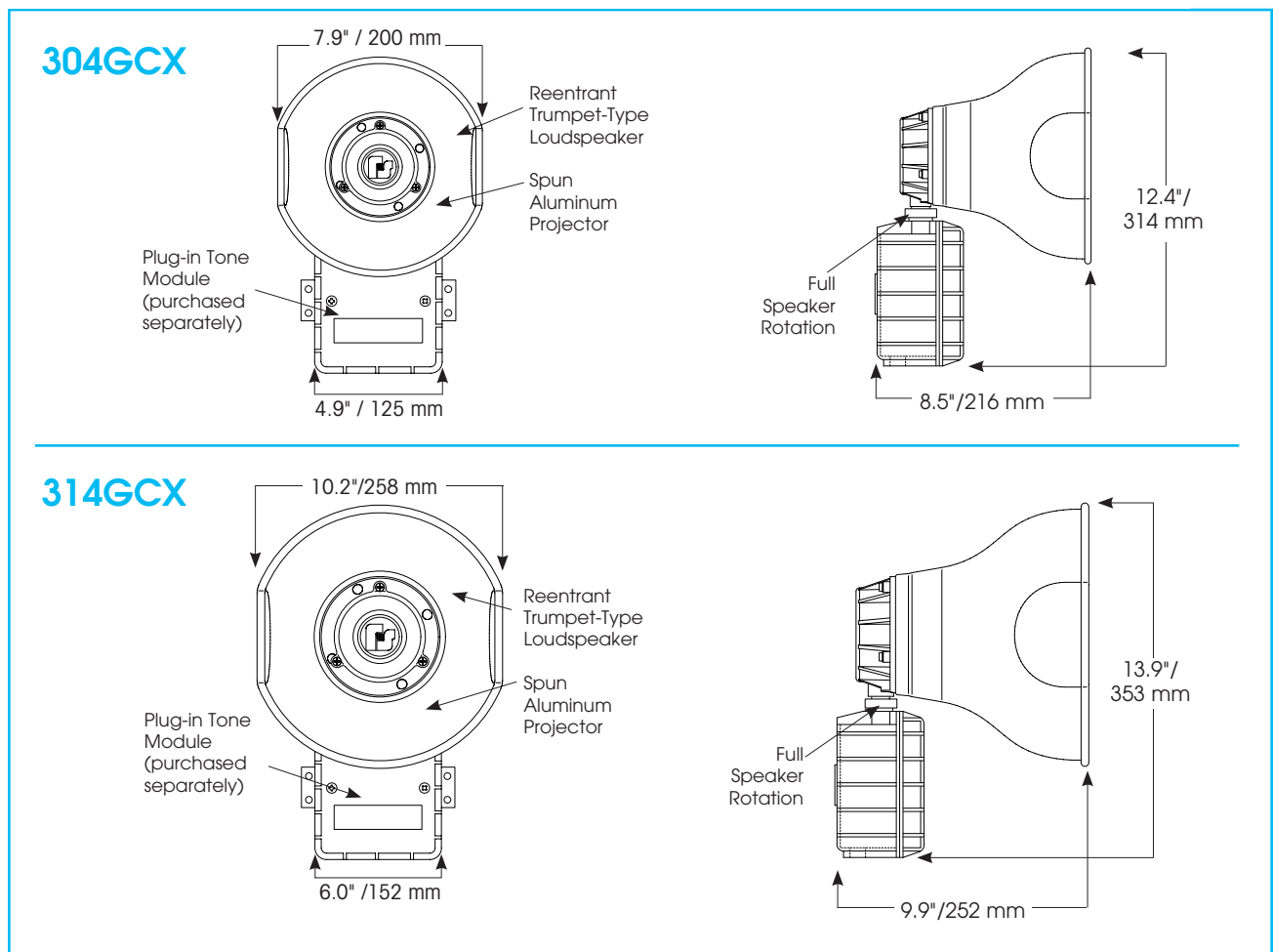
The 304GCX and 314GCX are UL Listed for Class I, Division 2, Groups A, B, C and D; Class II, Division 2, Groups F & G; and Class III.

The rugged construction and high output of the Model 304GCX and 314GCX make it ideal for use in harsh environments with high ambient noise levels. Both models feature an internal gain control for adjustment to suit area.

Model	Voltage	Operating Current	Standby Current	Decibels per UL1480		Decibels on Axis	
				10'	1m	10'	1m
304GCX	24VDC	0.7 amps	0.15 amps	95	105	108	118
314GCX	24VDC	1.3 amps	0.15 amps	100	110	112	122



## HAZARDOUS LOCATION AUDIBLE SIGNALING DEVICE (304GCX/314GCX)



### SPECIFICATIONS

#### 304GCX

Operating Temperature:	-40°F to 150°F	-40°C to 66°C
Net Weight:	4.5 lbs.	2.0 kg
Shipping Weight:	5.7 lbs.	2.6 kg
Height:	12.4"	314.0 mm
Width:	7.9"	200.0 mm
Depth:	8.5"	216.0 mm

#### 314GCX

Operating Temperature:	-40°F to 150°F	-40°C to 66°C
Net Weight:	6.1 lbs.	2.8 kg
Shipping Weight:	7.5 lbs.	3.4 kg
Height:	13.9"	353.0 mm
Width:	10.2"	258.0 mm
Depth:	9.9"	252.0 mm

### HOW TO ORDER

- Specify model number and voltage
- Universal Tone Module (UTM)
- Specify Connector Kit for use in systems:  
Supervised Connector Kit (300CKS) 25 Vrms  
Connector Kit (AM25CK)
- Please refer to Model Number Index  
304GCX/314GCX beginning on page 377

### REPLACEMENT PARTS

<u>Description</u>	<u>Part Number</u>
<b>304GCX</b>	
Amplifier Assembly	K2005356A
Voice Coil, Series B	K8593035A
Speaker Assembly	K8593082A
4 Pos connector	K140340B
<b>314GCX</b>	
Amplifier Assembly	K2005356A-01
Voice Coil, Series B	K8593036A
Speaker Assembly	K8593103A
4 Pos connector	K140340B