



SelectTone® Explosion-Proof Audible Signaling Device

Models 304X and 314X

DESIGNED FOR EXPLOSION- PROOF ENVIRONMENTS

- Available in 24VDC
- Built-in gain control
- 4-wire supervisable power circuit
- IP65, NEMA 4X Approved
- UL Listed and CSFM Approved

The Federal Signal Model 304X and 314X Explosion Proof Amplified Speakers are designed to produce crisp, clear tones in supervised alarm notification systems. Both models are compatible with fire alarm, voice evacuation, suppression supervised control panels, and power boosters.

These amplified speakers can broadcast tones generated by a Tone Card installed into the speaker (the plug-in 32-tone UTM) or by a central tone source in a voice evacuation or paging system. When live public address or voice messages are required, plug-in Connector Cards (AM25CK or AM70CK) interface with the Vrms of the EVAC panel.

The speaker cone and projector are constructed of rugged spun aluminum. The solid-state amplifier circuit is protected in a die-cast aluminum housing. Dust- and moisture-proof gaskets provide protection from the elements. All external surfaces are sealed with gray powder coat paint. A heavy-duty swivel mount bracket allows the installer to direct the output effectively.

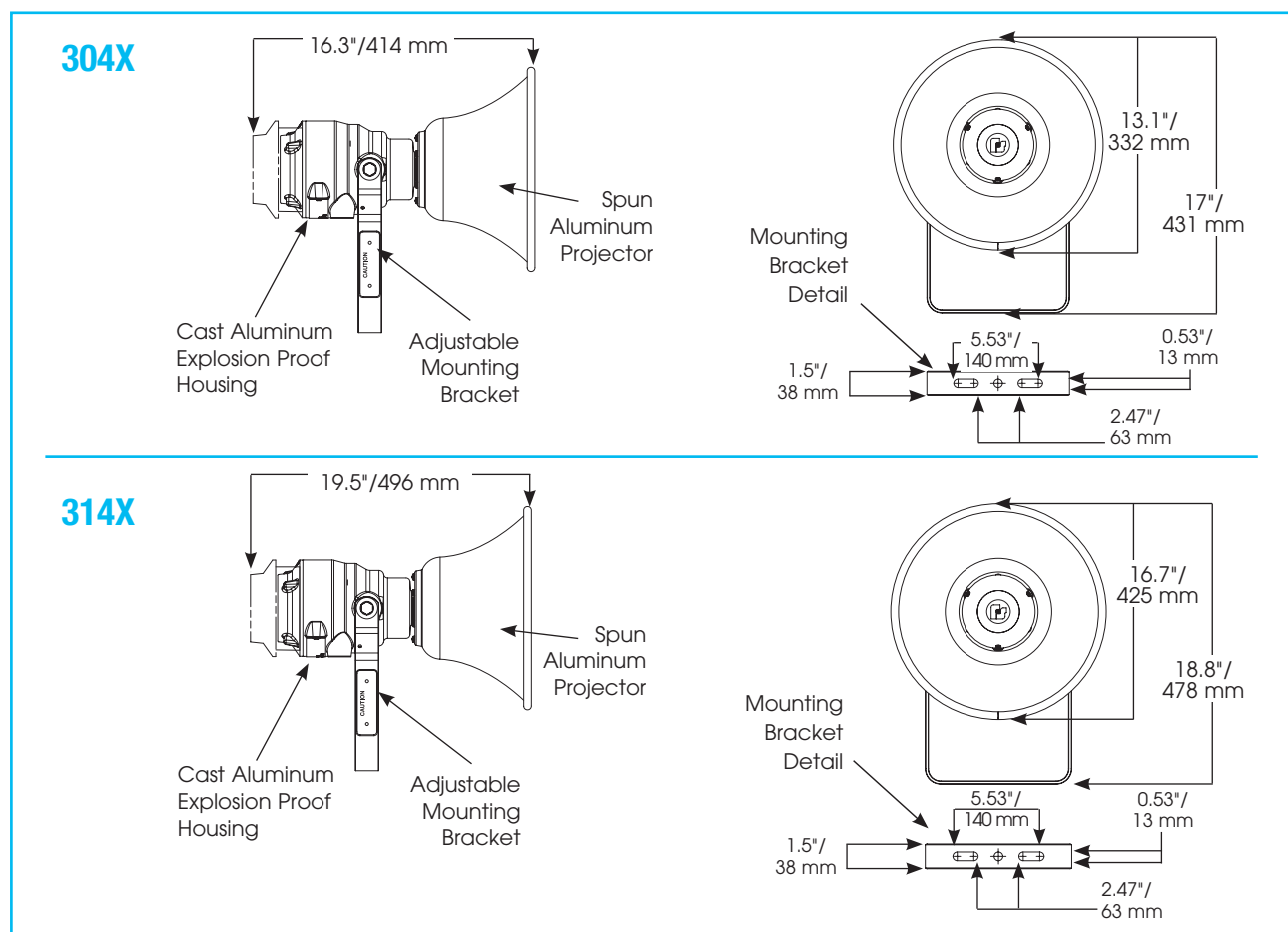
The 304X and 314X are UL Listed for Class I, Division 1, Groups B, C & D.

The rugged construction and high output of the Model 304X and 314X make them ideal for use in harsh environments with high ambient noise levels. Both models feature an internal gain control for adjustment to suit area.

Model	Voltage	Operating Current	Standby Current	Decibels per UL1480		Decibels on Axis	
				10'	1m	10'	1m
304X	24VDC	0.7 amps	0.13 amps	91	101	110	120
314X	24VDC	1.0 amps	0.13 amps	97	107	114	124



EXPLOSION-PROOF AUDIBLE SIGNALING DEVICE (304X/314X)



SPECIFICATIONS

304X

Operating Temperature:	-40°F to 150°F	-40°C to 66°C
Net Weight:	15.4 lbs.	7.0 kg
Shipping Weight:	22.8 lbs.	10.4 kg
Height:	17.0"	431.80 mm
Width:	13.1"	332.73 mm
Depth:	16.3"	414.02 mm

314X

Operating Temperature:	-40°F to 150°F	-40°C to 66°C
Net Weight:	16.4 lbs.	7.4 kg
Shipping Weight:	32.4 lbs.	14.7 kg
Height:	18.8"	477.52 mm
Width:	16.7"	424.17 mm
Depth:	19.5"	495.30 mm
Ingress Protection:	IP65 and NEMA 4X Approved	

HOW TO ORDER

- Specify model number
- Universal Tone Module (UTM)
- Specify Connector Kit for use in systems
Supervised Connector Kit (300CKS)
25 Vrms Connector Kit (AM25CK)
- Please refer to Model Number Index
304X/314X beginning on page 377

REPLACEMENT PARTS

<u>Description</u>	<u>Part Number</u>
304X	
Amplifier Assembly	K2005355A-01
Horn Assembly	K8593100A
Driver Assembly	K8593097A
Cover Assembly	K8593098A
Mounting Bracket Assembly	K8593071A
4 Pos connector	K140340B
314X	
Amplifier Assembly	K2005355A-02
Horn Assembly	K8593101A
4 Pos connector	K140340B