



AudioMaster® Two-way Intercom with Noise Canceling Microphone

Model 310-MV-MNC

INTERCOM FOR HIGH AMBIENT NOISE ENVIRONMENTS

- Multi-voltage design accepts 24VDC, 120VAC and 240VAC
- Heavy-duty industrial intercom
- Noise canceling microphone
- Balanced line output
- Type 3R enclosure
- UL Listed, CSA Certified and Marine Listed

Federal Signal's AudioMaster® 310-MV-MNC is a two-way industrial intercom that provides reliable communications and superior sound quality.

The AudioMaster 310-MV-MNC's standard features include volume control, call button, balanced line output, listen/talk switch, remote device activation, and the ability to power another intercom at 24VDC.

This heavy duty intercom will operate from -31°F to 150°F (-35°C to 66°C). The remote device activation feature allows you to activate an auxiliary signal such as a horn or light. The AudioMaster 310-MV-MNC requires 24VDC, 120VAC or 240VAC to power each unit. The intercom is easy to operate. Press the switch down to talk and release to listen.

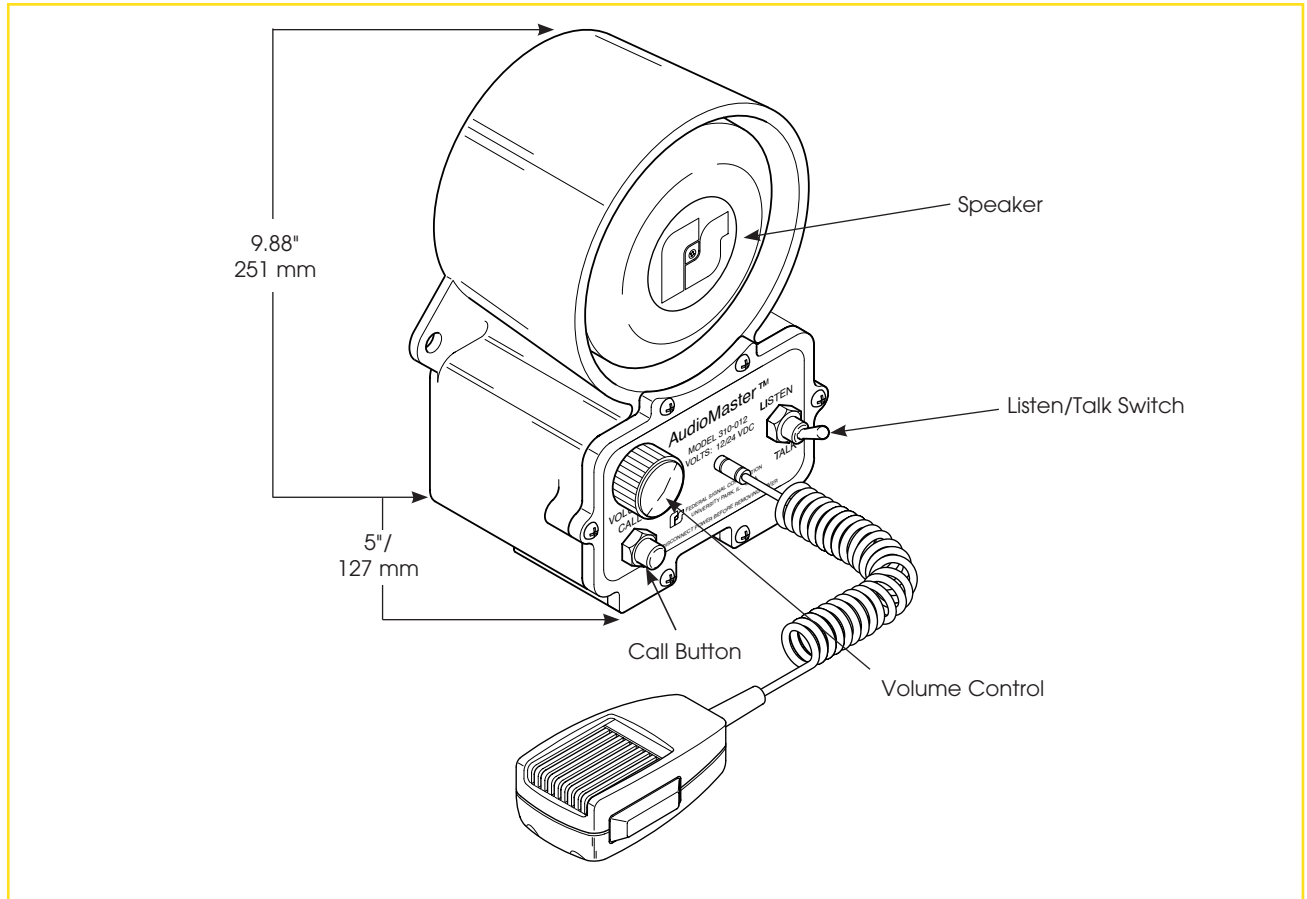
When the ambient noise level is too high for the standard 310-MV integrated microphone, the 310-MV-MNC noise canceling unit is used to improve transmission quality.

The 310-MV-MNC is ideal for use at oil refineries, petrochemical plants, offshore platforms, pulp and paper mills, water treatment facilities, airports, shipyards or anywhere reliable two-way communication is important for safe, efficient operation.

Model	Voltage	Operating Current	Standby Current	Frequency Response (-6dB)	Input Impedance
310-MV-MNC	24VDC	260mA	62mA	150Hz-12KHz	3400 ohms
	120VAC 50/60Hz	163mA	70mA	150Hz-12KHz	3400 ohms
	240VAC 50/60Hz	82mA	35mA	150Hz-12KHz	3400 ohms



TWO-WAY INDUSTRIAL INTERCOM (310-MV-MNC)



SPECIFICATIONS

Speaker Rating:	30 Watt	30 Watt
Operating Temperature:	-31°F to 150°F	-35°C to 66°C
Net Weight:	10.1 lbs.	4.6 kg
Shipping Weight:	12.0 lbs.	5.4 kg
Height:	9.88"	251.0 mm
Width:	6.5"	165.1 mm
Depth:	5.0"	127.0 mm

HOW TO ORDER

- Specify model number
- Please refer to Model Number Index 310-MV-MNC beginning on page 376

REPLACEMENT PARTS

<u>Description</u>	<u>Part Number</u>	<u>Description</u>	<u>Part Number</u>
PC Board Assembly	K2001915B	Kit, potentiometer	K8590237A
Connector	K140A326A-01	Kit, toggle switch	K8590298A
Fuse 250V, 1/2 Amp	K148A155A	Kit, call button and boot	K8590241A
Fuse 250V, 1 Amp	K148A155A-01	Resistors, 1K, 1W	K101216A
Microphone	MNC-MC	Gasket, rubber	K8590013B