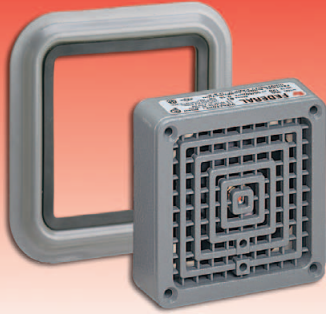


Vibratone® Horns

Models 350TR and 450TR



DESIGNED FOR ROUTINE SIGNALING

- Effective range of 200 feet
- Coded or sustained tones
- Model 350TR – 24 and 120VAC
Model 450TR – 24VDC
- Model 350TR produces 100dBa at 10' (110dBa at 1m)
Model 450TR produces 99dBa at 10' (109dba at 1m)
- Type 4X and Type 12 enclosure
- UL and cUL Listed*,
CSA Certified and FM Approved

* Only 350TR is cUL Listed

The Models 350TR and 450TR Vibratone Horns produce a very loud horn tone by the electro-mechanical vibration of a diaphragm. Capable of reproducing coded blasts or sustained tones, Federal Signal's Vibratone horn is excellent for general alarm, start and dismissal, coded paging, and process control signaling in areas of high ambient noise levels.

Well suited to the requirements of panel builders and other OEM customers, the 350TR and 450TR offer the benefits of quick and simple surface mount installation. Each horn is supplied with a gasketed trim ring. The trim ring is streamlined but durable, constructed of 18-gauge aluminum with Neoprene™ gaskets between the mounting surface and trim ring and between the trim ring and horn. The trim ring is sealed with gray powder coat paint for long life and corrosion resistance.

The Vibratone Model 350TR is available in 24VAC and 120VAC operating voltages. The Model 350TR produces 100dBa at ten feet (110dBa at 1 meter).

The Vibratone Model 450TR is available 24VDC. The Model 450TR produces 99dBa at ten feet (109dBa at 1 meter).

Vibratone horns are UL Listed, CSA Certified and FM Approved. The Models 350TR and 450TR are approved for Type 4X and Type 12 applications.

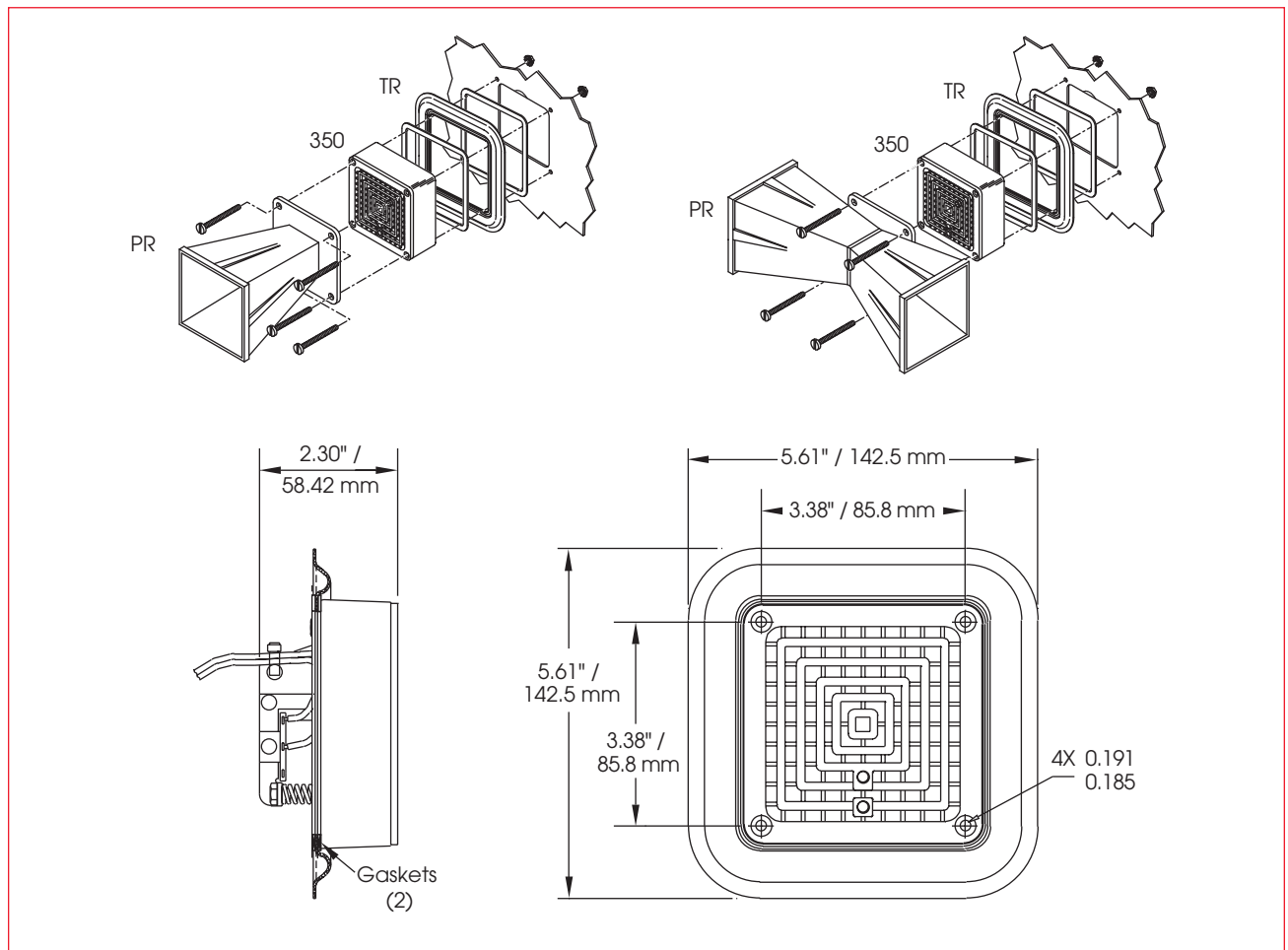
Each Vibratone horn is enclosed in a zinc die-cast housing and sealed with powder-coat paint. The Model 350TR features a stainless steel diaphragm. The Model 450TR utilizes an aluminum alloy diaphragm and heavy duty contacts. The rugged construction of the Vibratone horns resists vandalism and the effects of harsh industrial environments.

Compact size, loud output and heavy-duty construction make the VibraTone horns ideal for industrial and institutional signaling applications.

Model	Voltage	Operating Current	Decibels @	
			10'	1m
350TR-024	24VAC 50/60Hz	0.90 amps	100	110
350TR-120	120VAC 50/60Hz	0.18 amps	100	110
450TR-024	24VDC	0.25 amps	99	109



VIBRATONE® HORNS (350TR/450TR)



SPECIFICATIONS

Operating Temperature:	-65°F to 150°F	-54°C to 66°C
Net Weight:	1.7 lbs.	0.77 kg
Shipping Weight:	1.8 lbs.	0.81 kg
Height:	5.6"	142.2 mm
Width:	5.6"	142.2 mm
Depth:	2.5"	64.0 mm

ACCESSORIES

PR	Projector which concentrates sound into a basic area when attached to the basic model 350/450 units; 4" H x 4" W x 6" D; shipping weight 1 lb. (0.45 kg)
PR2	Double projector directs sounds to both sides when attached to the basic model 350/450 units; ideal for use in hallways; 4" H x 11½" W x 4" D; shipping weight 2 lbs. (0.91 kg)
TR	Gasketed trim ring allowing surface mount installations of 350/450 units while maintaining Type12 and Type4X rating of enclosure.

HOW TO ORDER

- Specify model and voltage
- Specify accessories from list
- Please refer to Model Number Index 350TR/450TR beginning on page 374

REPLACEMENT PARTS

<i>Description</i>	<i>Part Number</i>
Coil (120VAC only)	KFC1516C
Volume Control Kit	K8435663B