

SelecTone® Audible Signaling Device

Model 50GCB



CEILING MOUNT 4" SPEAKER/AMPLIFIER

- Available in 24VAC/24VDC and 120VAC
- Attractive round ceiling grille
- Appropriate for office environments
- Built in gain control
- Produces 64dBa to 88dBa @ 10' (74dBa to 98dBa @ 1m)
- Type 1, IP41 enclosure
- UL and cUL Listed, and CSFM Approved

Federal Signal's Model 50GCB SelecTone® Speaker Amplifier is designed to produce crisp, clear tones, digital voice messages and live public address. Designed to mount in ceilings, the 50GCB features a seven-inch white grille over a 4" speaker amplifier.

Internal gain control allows output adjustment from 64dBa to a maximum of 88dBa at 10 feet.

SelecTone Speaker Amplifiers are used individually or as part of a plant-wide emergency notification system. The Model UTM Universal Tone Module, with 32 tones, or the TM33 Custom Tone Module is plugged into a single SelecTone Speaker Amplifier for stand-alone use or into a SelecTone Command Unit for plant-wide signaling.

For plant-wide signaling, a Connector Kit is installed into each SelecTone Speaker Amplifier and wired to a central controller, a SelecTone Command Unit or a CommCenter® Digital Message Center. SelecTone Command Units and CommCenter Digital Message Centers can broadcast tones, voice messages, melodies and live public address to an unlimited number of SelecTone Speaker Amplifiers.

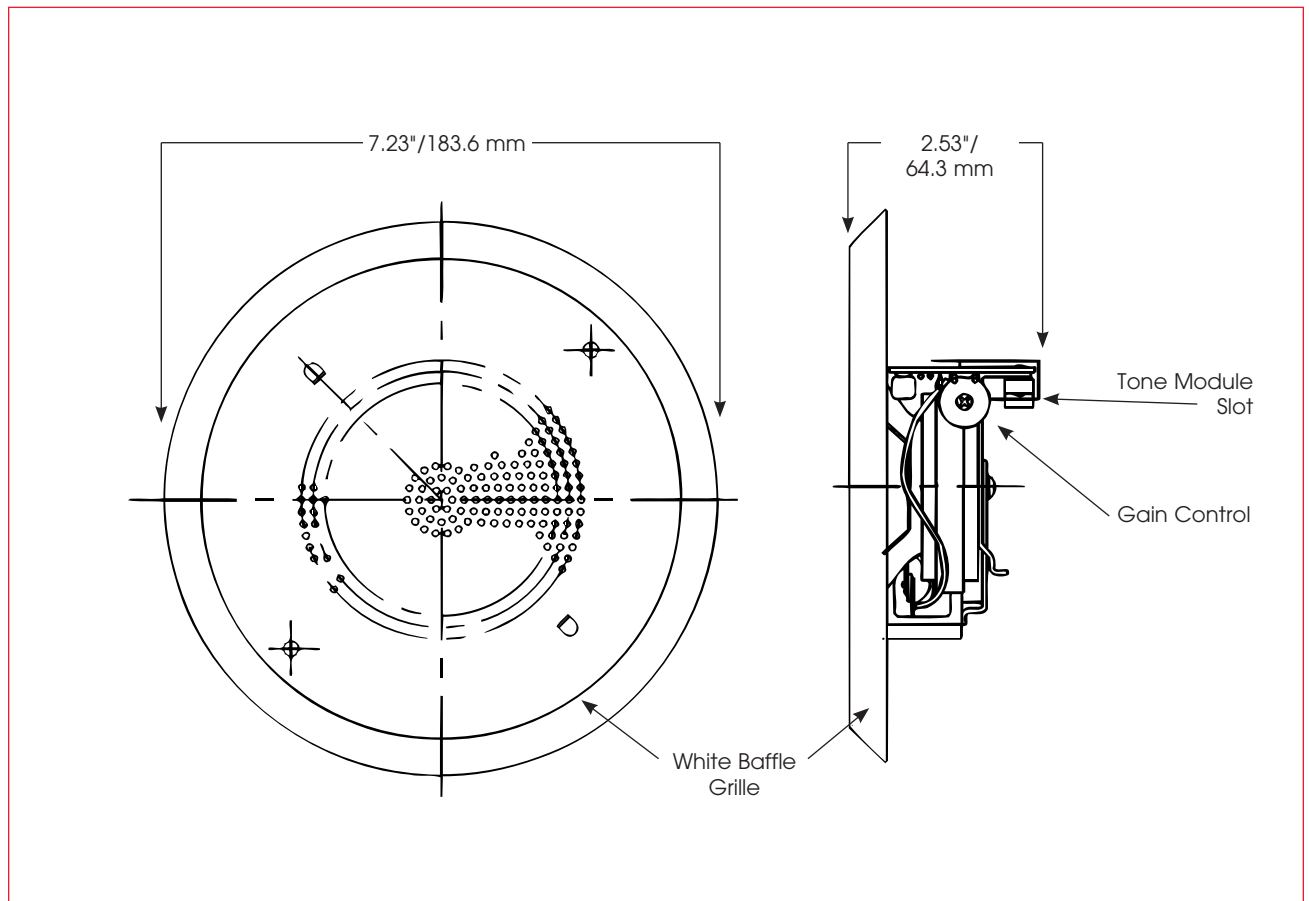
The 50GCB is designed for areas without high ambient noise levels, such as offices, hallways and receptions areas. The baffle allows the four-inch speaker to be installed easily in any suspended ceiling plenum with a Model R4NB backbox. The white grill of the 50GCB is attractive in most decors.

Emergency signaling or paging are common applications for SelecTone.

Model	Voltage	Operating Current	Standby Current	Decibels @	
				10'	1m
50GCB-024	24VDC	0.09 amps	0.025 amps	88	98
50GCB-024	24VAC 50/60Hz	0.29 amps	0.095 amps	88	98
50GCB-120	120VAC 50/60Hz	0.04 amps	0.027 amps	88	98



SELECTONE® AUDIBLE SIGNALING DEVICE (50GCB)



SPECIFICATIONS

Operating Temperature:	-31°F to 161°F	-35°C to 72°C
Net Weight:	1.6 lbs.	0.73 kg
Shipping Weight:	2.3 lbs.	1.04 kg
Depth:	2.53"	64.3 mm
Diameter:	7.23"	183.6 mm

HOW TO ORDER

- Specify model and voltage Accessories (sold separately)
- Specify Tone Module for stand alone operation
Universal Tone Module (UTM)
Custom Tone Module (TM33)
- Specify Connector Kit for use in systems (Call factory for system design assistance)
25 Vrms Connector Kit (AM25CK)
70 Vrms Connector Kit (AM70CK)
- Specify Accessories:
Back Box (R4NB)
- Please refer to Model Number Index 50GCB beginning on page 375