



DESIGNED FOR GENERAL ALARM OR PAGING

- Vibrating mechanism
- Three gong sizes – four, six, or ten-inch
- A range of output available – 98-102dBa @ 10' (108-112dBa @ 1m)
- Optional weatherproof backbox provides Type 3R enclosure
- UL and cUL Listed, CSA Certified and FM Approved

Vibratone® Bells

Models A4, A6 and A10
Models 500 and 600

Federal Signal's Vibratone® heavy duty bell product line utilizes a modular approach to combine gongs and mechanisms allowing for greater flexibility and selection. Three gong sizes are available: the Model A4 is four inches in diameter, the Model A6 is six inches in diameter, and the Model A10 is ten inches in diameter. Each larger gong produces a different tone and a higher dBa output.

Vibrating bells produce a continuous ringing sound when voltage is applied. The Models 500 and 600 vibrating mechanisms are designed for AC and DC operation, respectively.

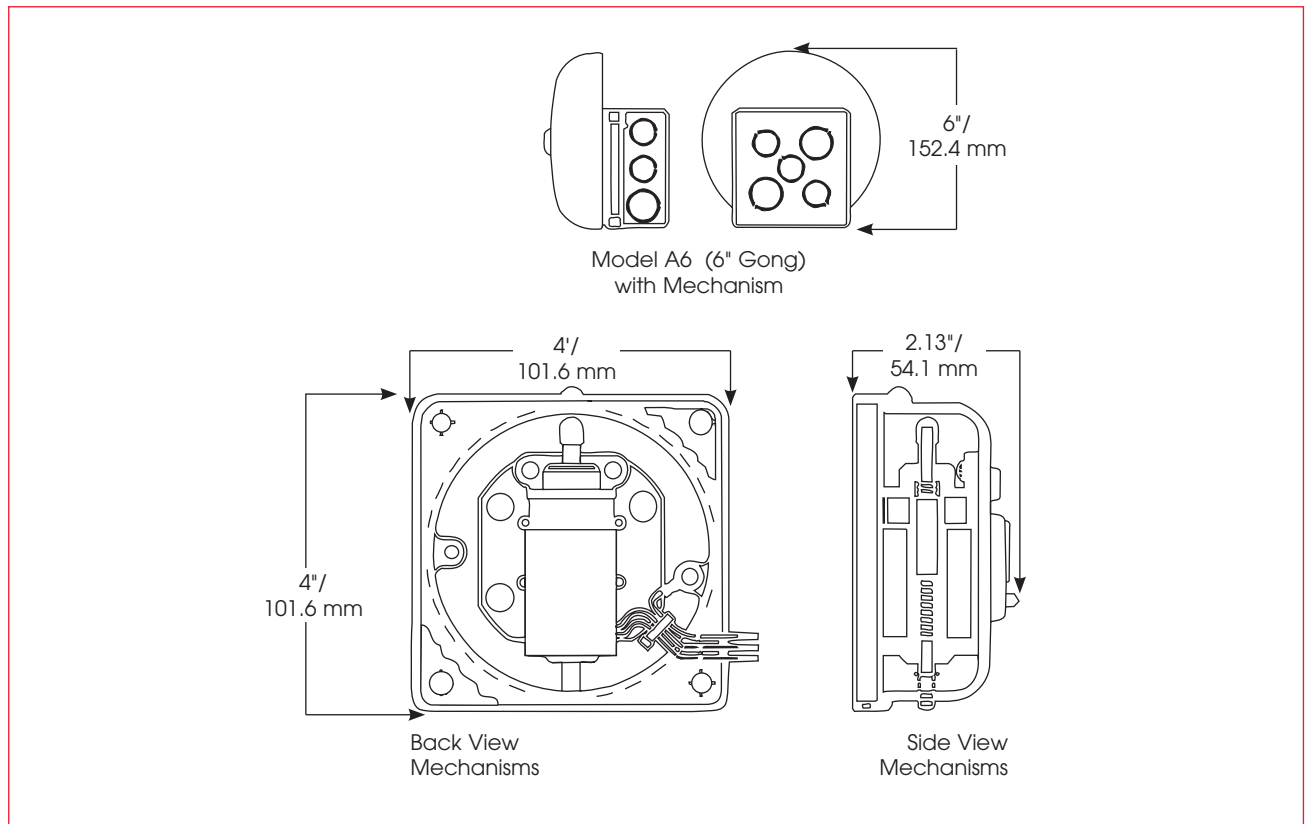
The Models 500 and 600 are UL and cUL Listed, CSA Certified and FM Approved.

Federal Signal's Vibratone bells can be used in any industrial application, whether to signal danger or for start and dismissal. A variety of mounting accessories will accommodate almost any environment.

Model	Voltage	Operating Current	Decibels @ 10'	Decibels @ 1m
BELLS				
A4	–	–	98	108
A6	–	–	100	110
A10	–	–	102	112
VIBRATING MECHANISMS				
500-024-1	24VAC	0.4 amps	–	–
500-120-1	120VAC	0.08 amps	–	–
500-240-1	240VAC	0.04 amps	–	–
600-012-1	12VDC	0.8 amps	–	–
600-024-1	24VDC	0.4 amps	–	–
600-125-1	125VDC	0.08 amps	–	–
600-250-1	250VDC	0.03 amps	–	–



VIBRATONE® BELLS (A4/A6/A10/500/600)



SPECIFICATIONS

<i>Model</i>	<i>Net Weight</i>	<i>Shipping Weight</i>	<i>Height</i>	<i>Width</i>	<i>Depth</i>
500	1.0 lb. 0.45 kg	1.1 lb. 0.4 kg	4.0" 101.6 mm	4.0" 101.6 mm	2.125" 54.0 mm
600	1.0 lb. 0.45 kg	1.1 lb. 0.4 kg	4.0" 101.6 mm	4.0" 101.6 mm	2.125" 54.0 mm
A4	0.5 lb. 0.23 kg	0.7 lb. 0.32 kg	4.0" 101.6 mm	4.0" 101.6 mm	1.25" 31.8 mm
A6	1.0 lb. 0.45 kg	1.2 lb. 0.54 kg	6.0" 152.4 mm	6.0" 152.4 mm	1.75" 44.5 mm
A10	3.5 lbs. 1.59 kg	4.0 lbs. 1.8 kg	10.0" 254.0 mm	10.0" 254.0 mm	2.25" 57.2 mm

HOW TO ORDER

- Specify mechanism model and voltage, and gong model*
- Specify accessories from list
- Please refer to Model Number Index A4/A6/A10/500/600 beginning on page 374

* Each gong sold separately

ACCESSORIES

FB	Deep back box for flush mounting A4 gong with any mechanism
FBL	Extra deep back box for flush mounting A4 gong with any mechanism
FG	Grille for flush mounting A4 gong and any mechanism in FB back box
SF	Surface mounting plate for plastered-in 4" boxes
WB	Weatherproof back box