



AudioMaster® 8 Watt Ceiling Speaker

Model AMR6

HIGH QUALITY PUBLIC ADDRESS AND MUSIC

- Transformer coupled for 25, 70 or 100 Vrms systems
- 8 watt
- Flexible mounting
- Back box and tile bridge included

The Federal Signal Model AMR6 is a high-quality ceiling speaker for public address and music in industrial, municipal and commercial office environments.

Power handling for the AMR6 is eight watt with transformer taps at 8, 4, 2 and 1 watts. The AMR6-2570K operates in 25 or 70 Vrms systems and the AMR6-100K operates in 100 Vrms systems.

The speaker is designed to mount flush in a ceiling or wall cavity. Adjustable "L" shaped clamps offer the flexibility of mounting to any surface thickness from 1/4" to 1 1/2". The AMR6 is suitable for use in air handling spaces.

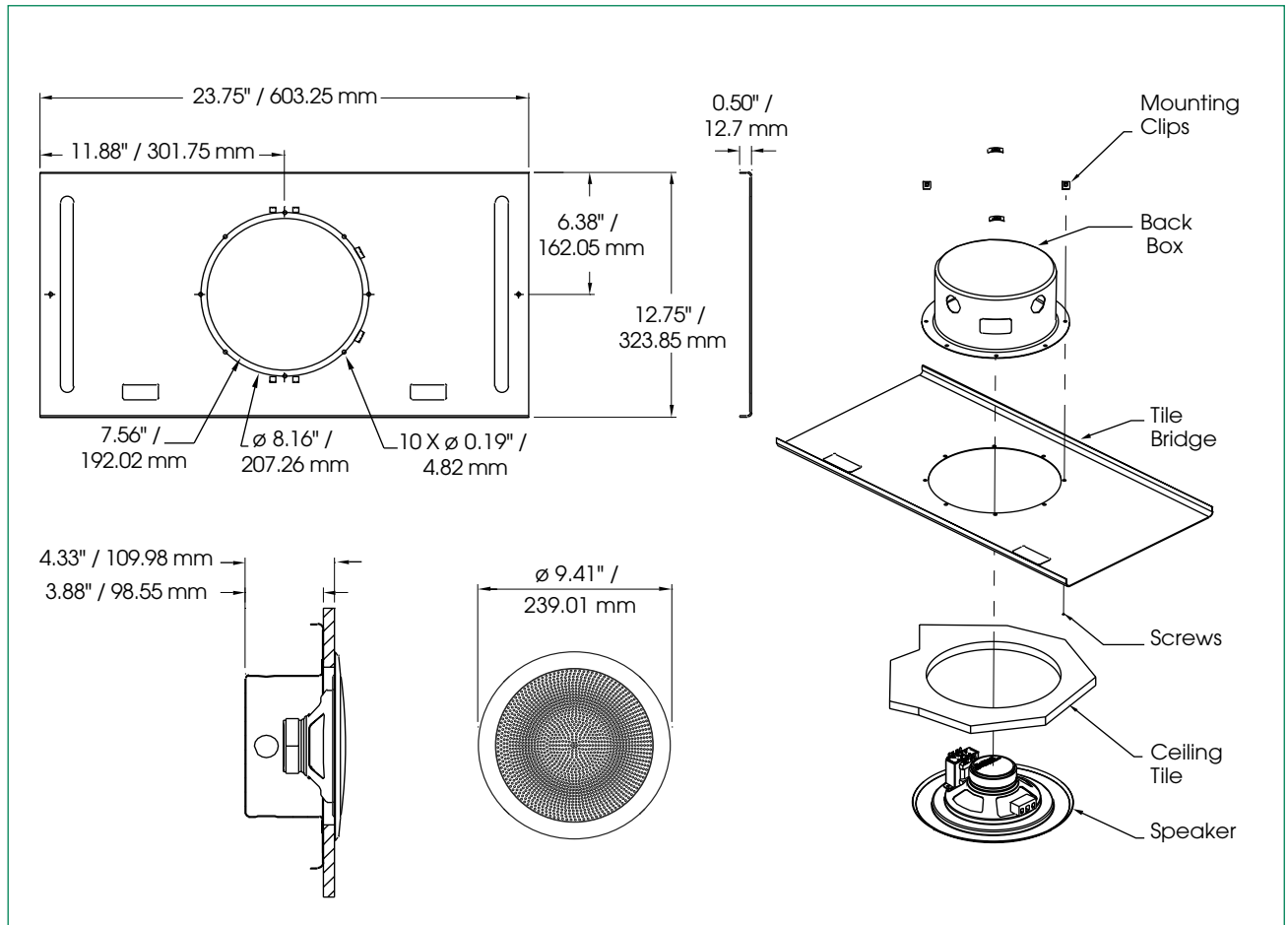
Construction materials were selected to provide years of service in demanding conditions. The speaker frame is flame-retardant ABS that meets Underwriter's Laboratories requirements for Flame Class V-0, 5VA. The speaker cone is constructed of polypropylene and the surround material is a phenolic impregnated cloth, rather than the traditional paper structures.

The AMR6 offers a wide frequency response of 110Hz to 20,000Hz that reproduces a full range of voice, music and electronically generated tones. To achieve these impressive results both a woofer and a neodymium tweeter are utilized. Neodymium is a rare earth metal known for high energy in compact sizes.

| Model | Power Handling | Frequency Response | Transformer | Power Taps | Decibels @ 10' | Decibels @ 1m |
|------------|----------------|--------------------|-------------|--------------|----------------|---------------|
| AMR6-2570K | 8 watt | 110-20,000Hz | 25 Vrms | 8, 4, 2, 1.1 | 81 | 91 |
| | 8 watt | 110-20,000Hz | 70 Vrms | 8, 4, 2, 1.1 | 85 | 95 |
| AMR6-100K | 8 watt | 110-20,000Hz | 100 Vrms | 8, 4, 2, 1.1 | 85 | 95 |



PUBLIC ADDRESS SPEAKER (AMR6)



SPECIFICATIONS

| | | |
|------------------------|---------------|-------------|
| Operating Temperature: | 32°F to 120°F | 0°C to 49°C |
| Net Weight: | 3.06 lbs. | 1.39 kg |
| Shipping Weight: | 4.75 lbs. | 2.15 kg |
| Diameter: | 9.0" | 228.6 mm |
| Depth: | 4.9" | 124.4 mm |

HOW TO ORDER

- Specify model number and Vrms of system (25/70 Vrms or 100 Vrms)
- Please refer to Model Number Index AMR6 beginning on page 376