



AudioMaster® Public Address Flush and Swivel Mount 25 Watt Speakers

Models AMSS-25 and AMSF-25

PUBLIC ADDRESS FOR INDUSTRIAL ENVIRONMENTS

- Eight ohm
- 25 watt
- Surface and flush mount
- Type 4X, IP66 enclosure
- UL Listed

The Federal Signal Models AMSF-25 and AMSS-25 are heavy-duty, 8-ohm speakers for use in public address or paging systems. These speakers are designed to reproduce full-range voice communication. Both speakers are constructed of spun aluminum. The speaker wiring connections are enclosed in a dust-tight and moisture-proof, gasketed rear cover. All external surfaces are sealed with a metallic gray powder coat paint.

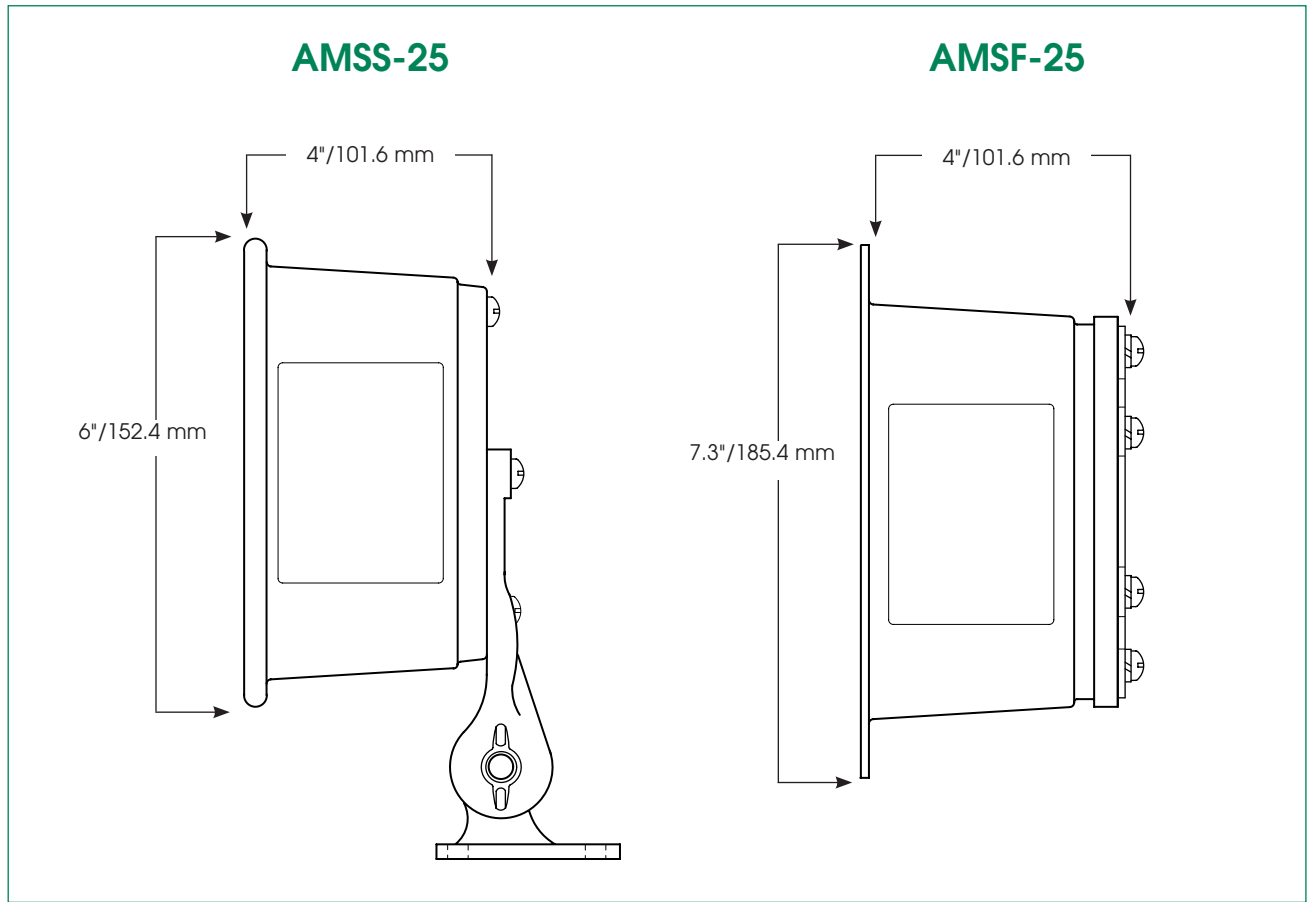
The AMSF-25 is a flush mount unit that is ideal for use in walls and cabinets. The AMSS-25 has an adjustable mounting bracket that pivots in a 90° arc for attaching to walls, cabinets or vehicle roofs. These speakers are appropriate for marine applications.

The AMSF-25 and the AMSS-25 can be used with the AudioMaster® CTS series amplifiers and the AudioRouter™ to complete an industrial grade public address system.

Model	Power Handling	Frequency Response	Impedance	Beam Width	Decibels @	
					10'	1m
AMSF-25	25 watt	800-5000Hz	8 ohm	90°	107	117
AMSS-25	25 watt	800-5000Hz	8 ohm	90°	107	117



PUBLIC ADDRESS SPEAKER (AMSS-25/AMSF-25)



SPECIFICATIONS

Operating Temperature:	-50°F to 150°F	-46°C to 66°C
Net Weight:		
AMSF-25	4.6 lbs.	2.1 kg
AMSS-25	5.0 lbs.	2.27 kg
Shipping Weight:		
AMSF-25	5.1 lbs.	2.3 kg
AMSS-25	6.0 lbs.	2.72 kg
Depth:		
AMSF-25	4.0"	101.6 mm
AMSS-25	4.0"	101.6 mm
Diameter:		
AMSF-25	7.3"	185.4 mm
AMSS-25	6.0"	152.4 mm

HOW TO ORDER

- Specify model number
- Please refer to Model Number Index AMSS-25/AMSF-25 beginning on page 376