

Flashing Combination Audible/Visual Signal

Model AV1



ECONOMICAL AUDIBLE/VISUAL SIGNAL

- Available in 24VDC and 120VAC
- Surface mount, integrated 1/2-inch NPT pipe mount, and 4-inch electrical box mount
- Five dome colors
- Twist-off lens for easy access
- Internal buzzer produces 85dB at 10' (95dB @ 1m)
- Type 3R enclosure
- UL and cUL Listed and CSA Certified

Federal Signal introduces the Model AV1 combination audible/visual signal. The AV1 features a 100% polycarbonate housing that is rated for Type 3R rain-tight applications. Available dome colors include Amber, Blue, Clear, Green and Red.

The AV1 design provides three mounting configurations. The black base will accommodate mounting to a 1/2-inch NPT pipe, a 4-inch octagonal electrical box or any flat surface. The surface mount gasket serves as a template for preparing a flat surface with appropriate mounting holes.

All AV1 units feature a unique twist and lock dome to allow for tool-free access to the incandescent lamp. The fresnel lensing provides superior visibility in all directions.

The integrated buzzer provides 85dB output at 10 feet (95dB @ 1 meter). The sounder is synchronized to buzz at the same rate as the visual signal — 75 times per minute.

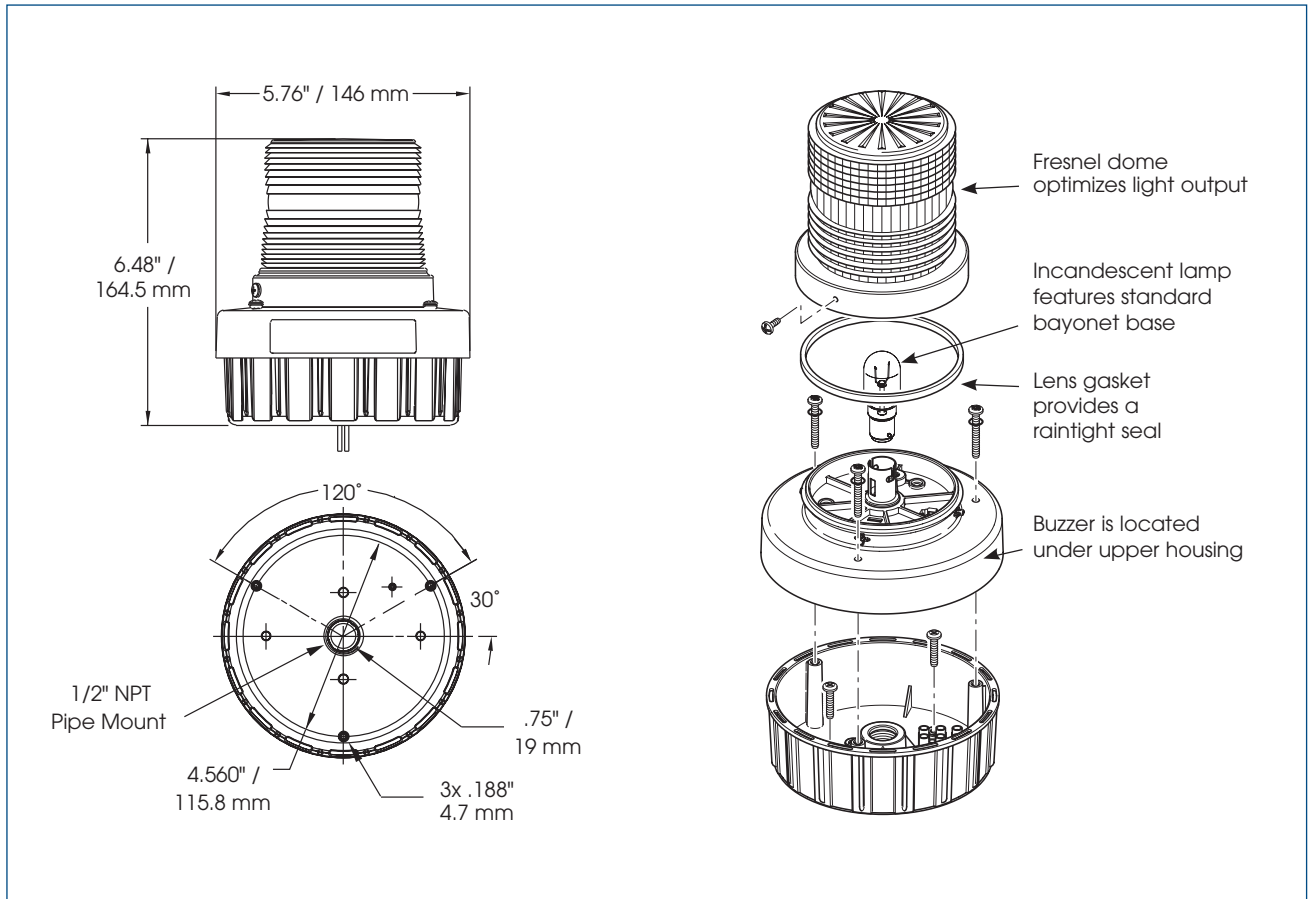
The AV1 comes in two voltage variations: 24VDC and 120VAC. Each unit is factory assembled with two color-coded leads. If desired, the user can remove the leads and connect directly to the terminal block located in the base of the unit. The AV1 is UL and cUL Listed and CSA Certified.

Model	Voltage	Operating Current	Flash Rate/Minute	Decibels @		Mount
				10'	1m	
AV1-024 *	24VDC	0.98 amps	75	85	95	Pipe/Surface
AV1-120 *	120VAC	0.27 amps	75	85	95	Pipe/Surface

* Indicates color: (A) Amber, (B) Blue, (C) Clear, (G) Green or (R) Red



AUDIBLE/VISUAL SIGNALING DEVICE (AV1)



SPECIFICATIONS

Lamp Life:	1,000 Hours	1,000 Hours
Light Source:	Incandescent	Incandescent
Operating Temperature:	-31°F to 150°F	-35°C to 66°C
Net Weight:	1.25 lbs.	0.57 kg
Shipping Weight:	1.75 lbs.	0.8 kg
Height (from bottom):	6.48"	16.5 cm
Diameter:	5.76"	14.6 cm

HOW TO ORDER

- Specify model, voltage and color
- Please refer to Model Number Index AV1 beginning on page 374

REPLACEMENT PARTS

<u>Description</u>	<u>Part Number</u>	<u>Description</u>	<u>Part Number</u>
Dome, Amber	K8550292A-02	Incandescent Lamp (24VDC)	K8107210A
Dome, Blue	K8550292A-01	Incandescent Lamp (120VAC)	K149123A
Dome, Clear	K8550292A	Flasher, 24VDC	K8285237A-01
Dome, Green	K8550292A-04	Flasher, 120VAC	K8285238A-01
Dome, Red	K8550292A-03	Buzzer, 24VDC	K8591002A-01
Lens Gasket	K8550306A	Buzzer, 120VAC	K8591002A
Surface Mount Gasket	K8591003A		