



# LED Flashing Combination Audible/Visual Signal

## Model AV1-LED

### ECONOMICAL LED AUDIBLE/VISUAL SIGNAL

- Available in 24VDC and 120VAC
- 60,000 hour LED light source
- Surface mount, integrated 1/2-inch NPT pipe mount, and 4-inch electrical box mount
- Five dome colors
- Twist-off lens for easy access
- Internal buzzer produces 85dB at 10' (95dB @ 1m)
- Type 3R enclosure
- UL and cUL Listed

Federal Signal introduces the Model AV1-LED combination audible/visual signal. The AV1-LED features a 100% polycarbonate housing that is rated for Type 3R rain-tight applications. Available dome colors include Amber, Blue, Clear, Green and Red.

The AV1-LED design provides three mounting configurations. The black base will accommodate mounting to a 1/2-inch NPT pipe, a 4-inch octagonal electrical box or any flat surface. The surface mount gasket serves as a template for preparing a flat surface with appropriate mounting holes.

All AV1-LED units feature a unique twist and lock dome to allow for tool-free access to the LED. The fresnel lensing provides superior visibility in all directions.

The integrated buzzer provides 85dB output at 10 feet (95dB @ 1 meter). The unit is capable of independent flashing light and sounder operation. The LED can be field adjusted to two flash patterns 60 FPM or 75 FPM via a jumper on the PC board.

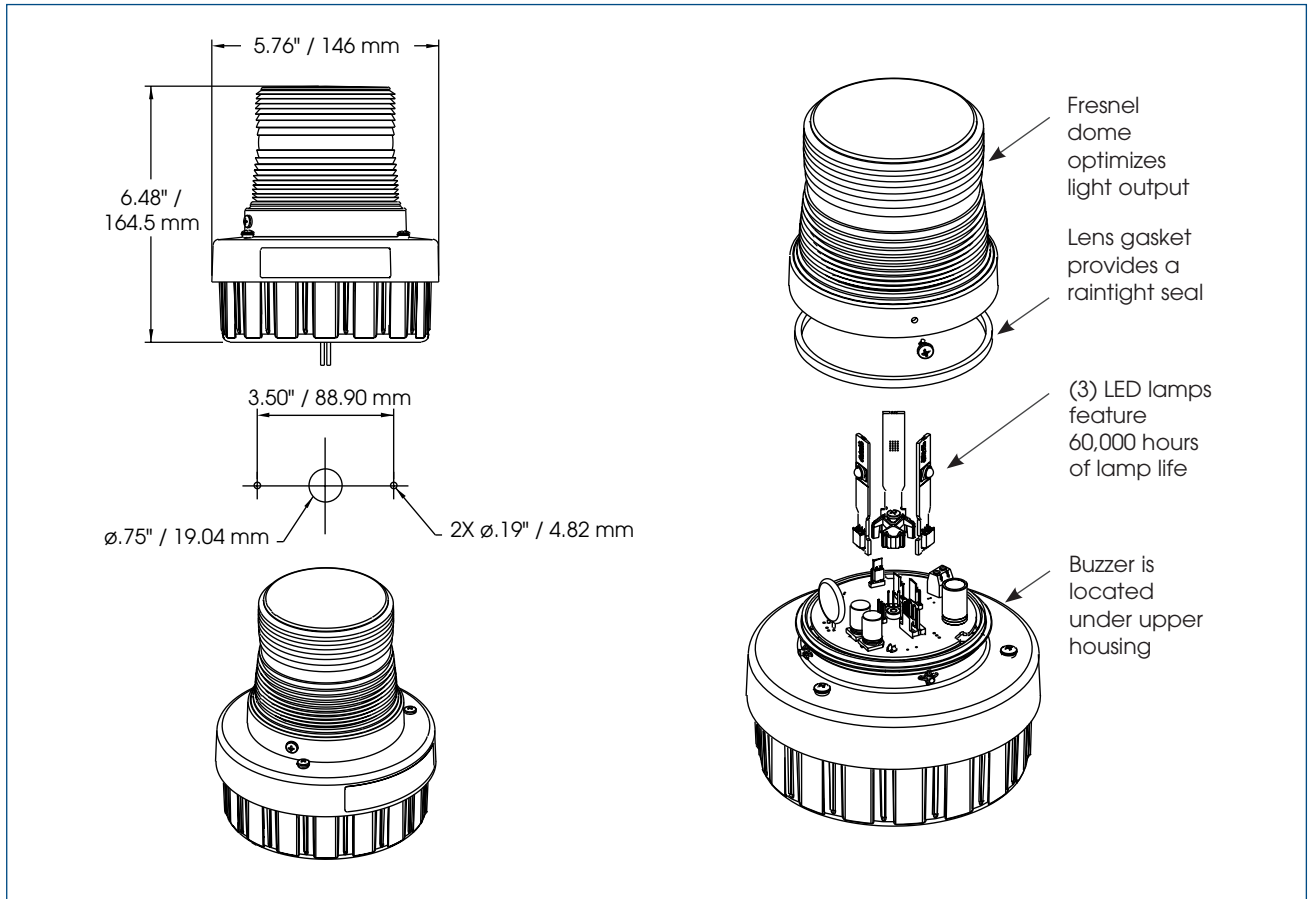
The AV1-LED comes in two voltage variations: 24VDC and 120VAC. Each unit is factory assembled with two color-coded leads. If desired, the user can remove the leads and connect directly to the terminal block located in the base of the unit. The AV1-LED is UL and cUL Listed.

Model	Voltage	Operating Current	Flash Rate/Minute	Decibels @		Mount
				10'	1m	
AV1-LED-024 *	24VDC	0.27 amps	60/75	85	95	Pipe/Surface
AV1-LED-120 *	120VAC	0.03 amps	60/75	85	85	Pipe/Surface

\* Indicates color: (A) Amber, (B) Blue, (C) Clear, (G) Green or (R) Red



## AUDIBLE/VISUAL SIGNALING DEVICE (AV1 LED)



### SPECIFICATIONS

Lamp Life:	60,000 Hours	60,000 Hours
Light Source:	LED	LED
Operating Temperature:	-31°F to 150°F	-35°C to 66°C
Net Weight:	1.25 lbs.	0.57 kg
Shipping Weight:	1.75 lbs.	0.8 kg
Height (from bottom):	6.48"	16.5 cm
Diameter:	5.76"	14.6 cm

### HOW TO ORDER

- Specify model, voltage and color
- Please refer to Model Number Index AV1-LED beginning on page 374

### REPLACEMENT PARTS

<i>Description</i>	<i>Part Number</i>	<i>Description</i>	<i>Part Number</i>
Dome, Amber	K8550292A-02	LED Stick Amber (3 required)	K2005642A-A
Dome, Blue	K8550292A-01	LED Stick Blue (3 required)	K2005633A-B
Dome, Clear	K8550292A	LED Stick Green (3 required)	K2005642A-G
Dome, Green	K8550292A-04	LED Stick Red (3 required)	K2005642A-R
Dome, Red	K8550292A-03	LED Stick White (3 required)	K2005642A-W
Lens Gasket	K8550306A	Buzzer, 24VDC	K8591002A-03
Surface Mount Gasket	K8591003A	Buzzer, 120VAC	K8591002A