

# Strobe Combination Audible/Visual Signal

## Model AV1ST



### ECONOMICAL AUDIBLE/ VISUAL SIGNAL

- Available in 24VDC and 120VAC
- Surface mount, integrated 1/2-inch NPT pipe mount, and 4-inch electrical box mount
- Five dome colors
- Twist-off lens for easy access
- Internal buzzer produces 85dB at 10' (95dB @ 1m)
- Type 3R enclosure
- UL and cUL Listed and CSA Certified

Federal Signal introduces the Model AV1ST combination audible/visual signal. The AV1ST features a 100% polycarbonate housing that is rated for Type 3R rain-tight applications. Available dome colors include Amber, Blue, Clear, Green and Red.

The AV1ST design provides three mounting configurations. The black base will accommodate mounting to a 1/2-inch NPT pipe, a 4-inch octagonal electrical box or any flat surface. The surface mount gasket serves as a template for preparing a flat surface with appropriate mounting holes.

All AV1ST units feature a unique twist and lock dome to allow for tool free access to the strobe tube. The fresnel lensing provides superior visibility in all directions.

The integrated buzzer provides 85dB output at 10 feet (95dB @ 1 meter).

The AV1ST comes in two voltage variations: 24VDC and 120VAC. Each unit is factory assembled with two color-coded leads. If desired, the user can remove the leads and connect directly to the terminal block located in the base of the unit. The AV1ST is UL and cUL Listed and CSA Certified.

Model	Voltage	Operating Current	Flash Rate/ Minute	Joule Output	Candela		Decibels @		Mount
					Peak <sup>1</sup>	ECP <sup>2</sup>	10'	1m	
<b>AV1ST-024 *</b>	24VDC	0.39 amps	65-95	2.2	175,000	51.5	85	95	Pipe/Surface
<b>AV1ST-024 *</b>	120VAC	0.15 amps	65-95	2.2	175,000	51.5	85	95	Pipe/Surface

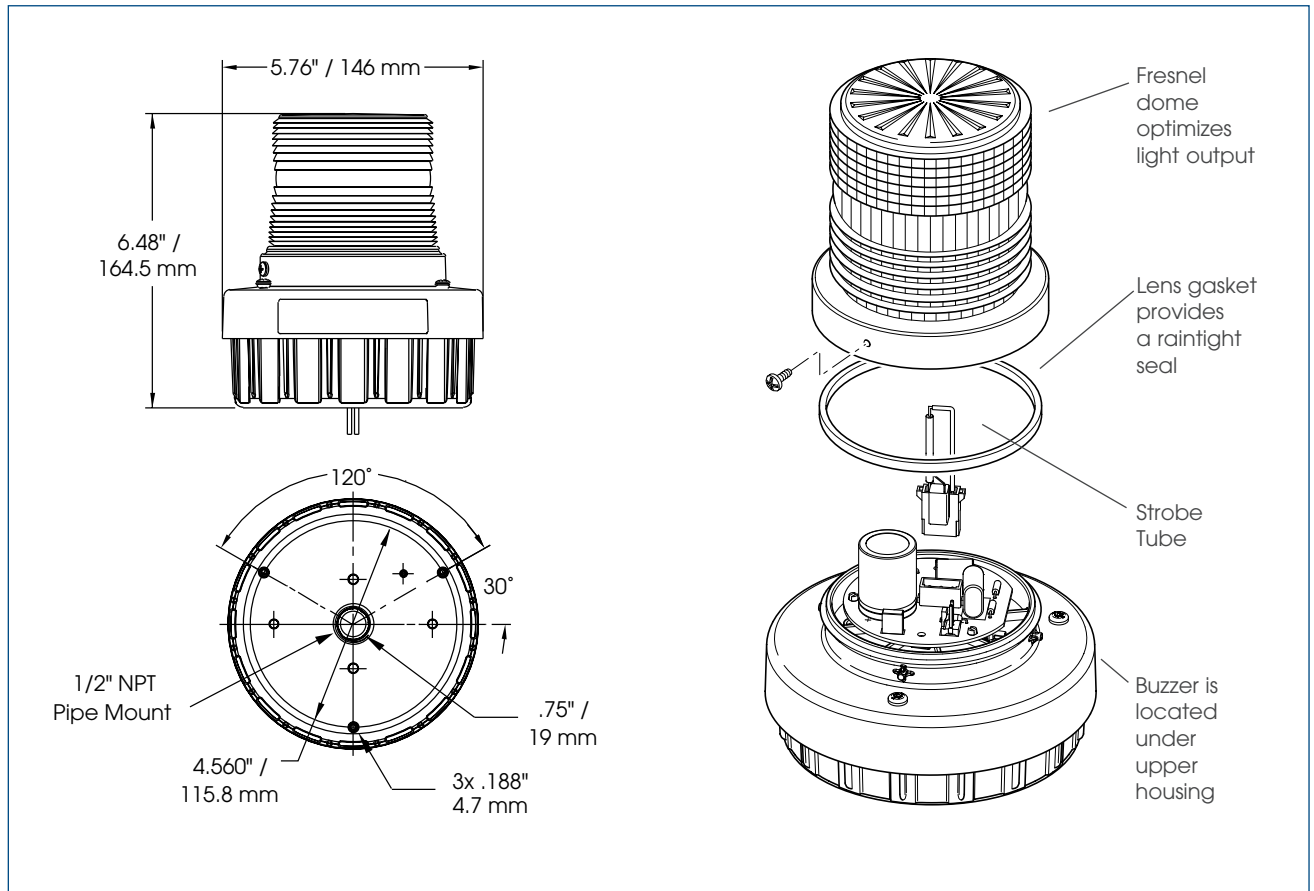
\* Indicates color: (A) Amber, (B) Blue, (C) Clear, (G) Green or (R) Red

<sup>1</sup> Peak candela is the maximum light intensity generated by a flashing light during its light pulse

<sup>2</sup> ECP (Effective Candela) is the intensity that would appear to an observer if the light were burning steadily



## AUDIBLE/VISUAL SIGNALING DEVICE (AV1ST)



### SPECIFICATIONS

Lamp Life	7000 Hours	7000 Hours
Light Source:	Strobe tube	Strobe tube
Operating Temperature:	-31°F to 150°F	-35°C to 66°C
Net Weight:	1.25 lbs.	0.57 kg
Shipping Weight:	1.75 lbs.	0.8 kg
Height (from bottom):	6.48"	16.5 cm
Diameter:	5.76"	14.6 cm

### HOW TO ORDER

- Specify model, voltage and color
- Please refer to Model Number Index AV1ST beginning on page 374

### REPLACEMENT PARTS

<i><b>Description</b></i>	<i><b>Part Number</b></i>	<i><b>Description</b></i>	<i><b>Part Number</b></i>
Dome, Amber	K8550292A-02	PCB Assembly (120VAC)	K2001887A
Dome, Blue	K8550292A-01	PCB Assembly (24VDC)	K2005083A
Dome, Clear	K8550292A	Lens Gasket	K8550306A
Dome, Green	K8550292A-04	Surface Mount Gasket	K8591003A
Dome, Red	K8550292A-03	Strobe Tube	K149130A
		Buzzer, 24VDC	K8591002A-01
		Buzzer, 120VAC	K8591002A