

General Alarm Siren

Model L



ELECTROMECHANICAL SIREN

- Available with 120VAC/VDC and 240VAC/VDC universal motor
- Rugged, durable and corrosion resistant
- Produces 112dBa @ 10' (122dBa @ 1m)
- Maintenance-free
- Type 3R enclosure
- CSA Certified

The Federal Signal Model L is a general-purpose electro-mechanical siren that produces a distinctive sound and tonal quality for industrial applications. It has a low maximum pitch which provides excellent contrast to industrial ambient noise. Introduced in 1946, the Model L is still used today in many rugged and extreme environments and applications.

The Model L features a universal motor and operates with 120VAC/ 125VDC. The Model L is also available for 240VAC/ 250VDC operation. The fractional horsepower motor drives a ported aluminum rotor within the specially designed stator to produce a unique sound. The recommended duty cycle is five minutes on/five minutes off. This siren produces an attention-getting 112dBa @ 10 feet (122dBa @ 1m).

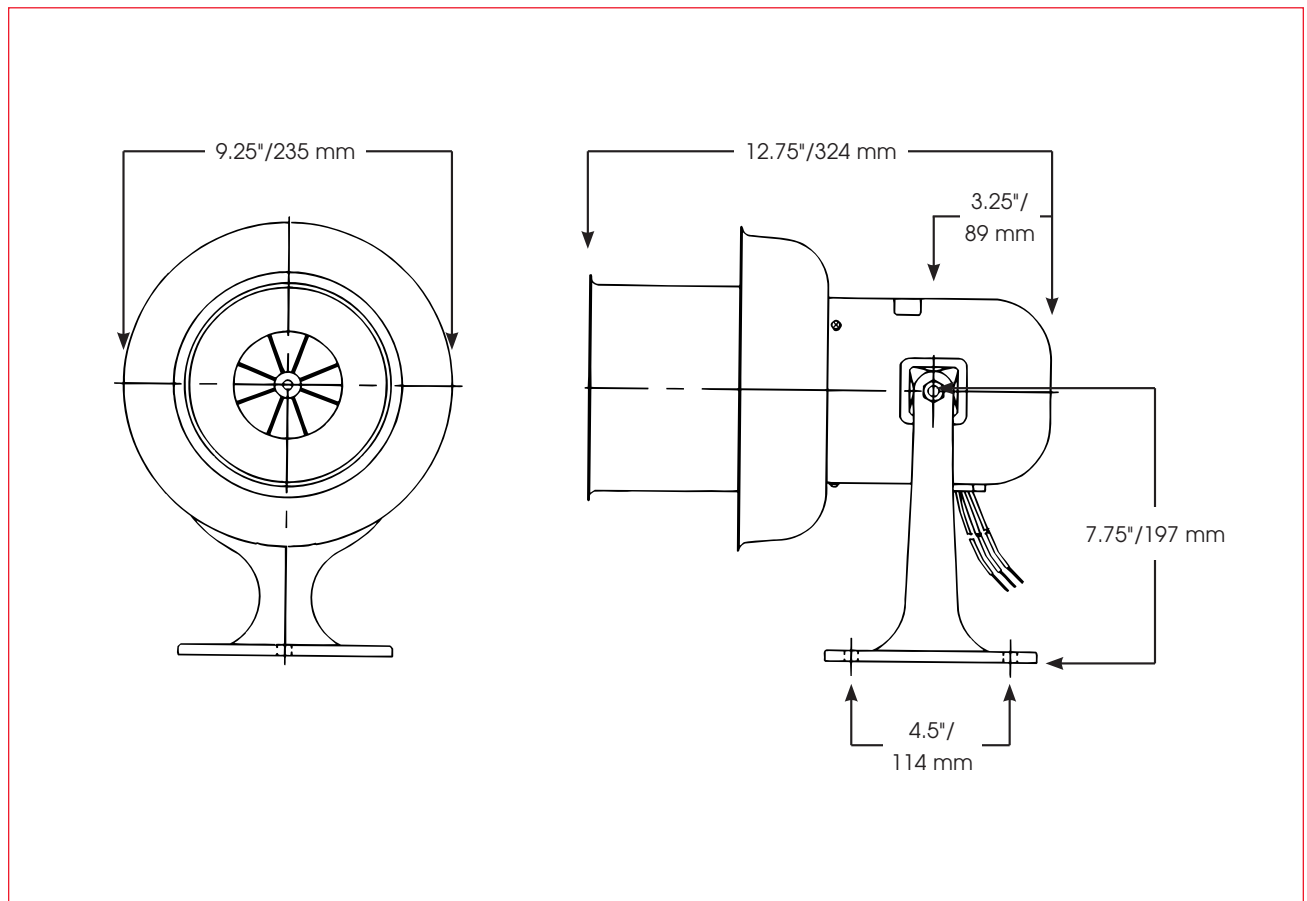
The Model L's metal housing is sealed with red powder coat for an attractive appearance and superior corrosion resistance. The swivel mount bracket accommodates wall and surface mount installations.

The Model L is CSA Certified.

Model	Voltage	Operating Current	Decibels @		Frequency
			10'	1m	
L-120	120VAC/VDC	1.95 amps	112	122	700Hz
L-240	240VAC/VDC	1.0 amps	112	122	700Hz



GENERAL ALARM SIREN (L)



SPECIFICATIONS

Voltages:	120VAC/VDC or 240VAC/VDC	
Motor:	Universal	Universal
Net Weight:	12.0 lbs	5.4 kg
Shipping Weight:	14.2 lbs	6.4 kg
Width:	9.25"	235.0 mm
Length:	12.75"	324.0 mm

HOW TO ORDER

- Specify model and voltage
- Please refer to Model Number Index L beginning on page 375

REPLACEMENT PARTS

<i>Description</i>	<i>Part Number</i>
Rotor Assembly	K8170B204A
Motor – 120VAC /120VDC	K82831051A
Motor – 240VAC /250VDC	K8283A700